

ABLOY® DC335 DOOR CLOSER

New Rack and Pinion Door Closer



ABLOY® DC335 is a modern high quality door closer for all kind of door applications.

NEW ABLOY® DC335 DOOR CLOSER



ABLOY® DC335 has been developed to meet the performance requirements of the EN1154 standard. Aesthetically modern and elegant in design, the **ABLOY® DC335** is suitable for all kinds of internal or external doors. Its unique features offer solutions for many different applications.

Colours available

White



Silver



Brass



Brown



Black

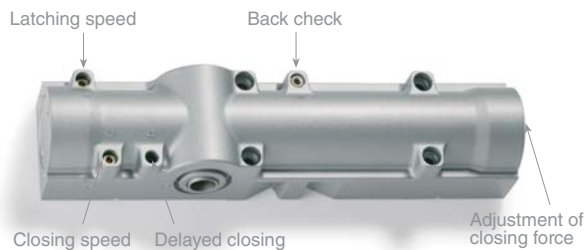


Applications:

- Suitable for exterior and interior doors.
- Recommended maximum door leaf width 1250 mm.
- Recommended maximum door leaf weight 100 kg.

Features:

- CE-certified
- Cast aluminium body manufactured from High-Performance silicon alloy.
- Uniform design to all **ABLOY®** door closers.
- Very high efficiency.
- Wide operating temperature range: - 35°C ... + 45°.
- Separate adjustable closing and latching speed.
- Pressure relief valves to protect against abuse.
- Non handed, can be installed on either the door or the door frame.
- Easily adjustable arm height makes installation simple and quick.
- Adjustable spring power from size EN 3-5.
- Easy to adjust starting angle of back check, delayed closing and latching speed.
- Removable plastic cover in several colours: Silver, brown, brass, black and white. Other colours available upon request.
- Also available with removable stainless steel cover.
- A selection of arms available.
- Width 279.5 mm, height 64.5 mm, depth 62.5 mm.



Arm height

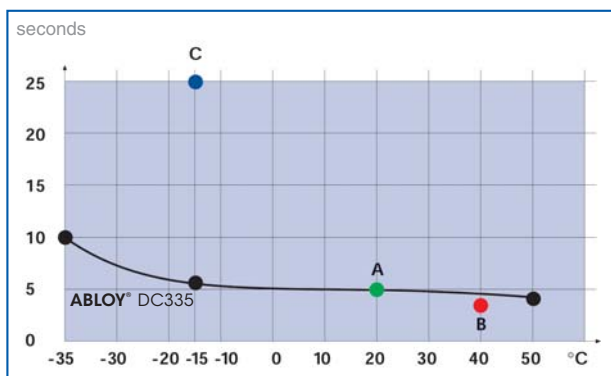
The arm height can be adjusted (by a maximum of 14 mm) by moving the grooved spindle in a vertical direction.

Adjustments

The starting angle for latching speed, back check and delayed closing can be adjusted by selecting the desired arm position in relation to the grooved spindle. It ensures the correct starting angle for back check, particularly important when installed on the closing side.

Separate adjustable valves for latching and closing speed, delayed closing and back check.

Closing force can be adjusted for different door sizes and weights.



The EN1154 standard specifies the following:

- A A standard closing time of 5 seconds at +20 °C
- B A minimum closing time of 3 seconds at +40 °C (check point only)
- C A maximum closing time of 25 seconds at -15 °C (check point only)

Closing functionality under temperature change

ABLOY® DC335 is designed and manufactured in Finland where environmental circumstances are demanding. Wide variants in temperatures demand a lot from door closers.

ABLOY® DC335 guarantee constant closing speed in every situation. High quality hydraulic oil and patented valve systems have already earned this product a legendary reputation.



Arms available



Hold-open arm 7191



Standard arm 7190

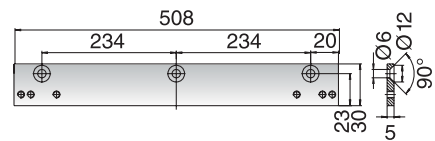


DC194

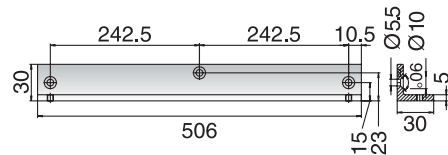


DC193

Accessories for arms



Mounting plate DC103



Mounting plate DC104



Hold open device
DC152

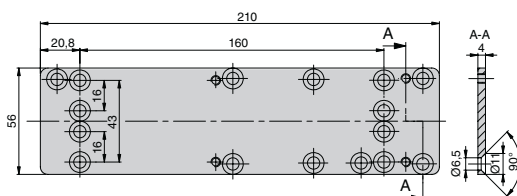


Opening damper
DC153

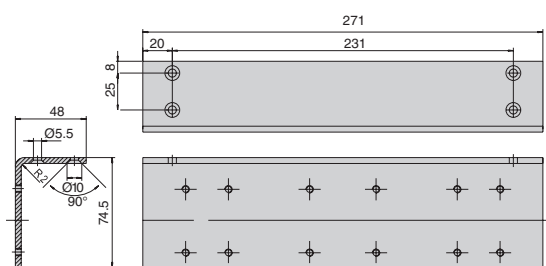


Parallel arm bracket for
7190 and 7191

Mounting plates



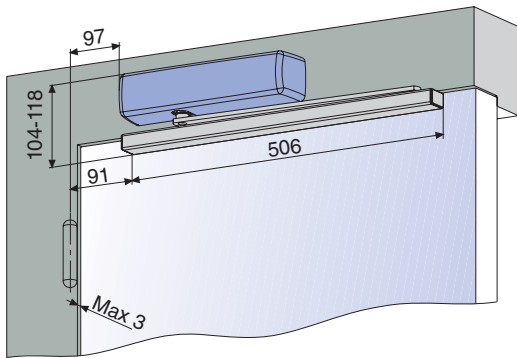
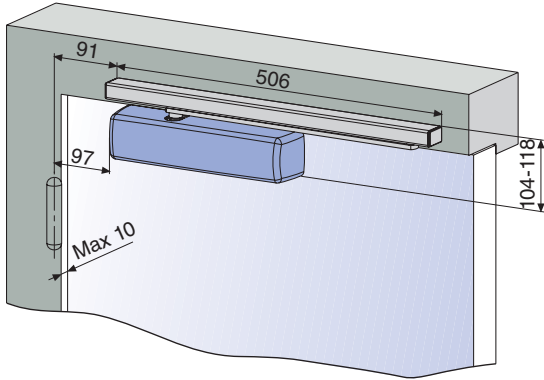
Straight mounting plate DC130



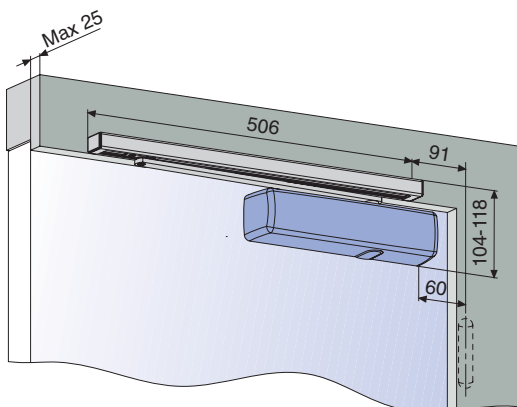
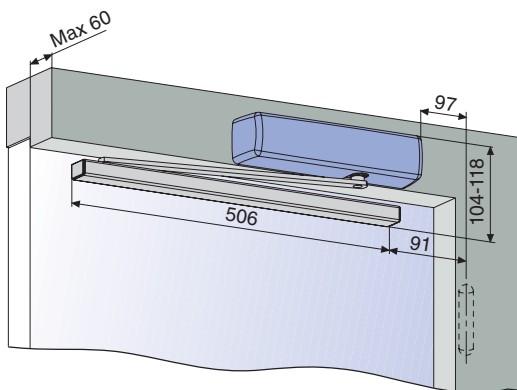
Angle mounting plate 7103

Installation with sliding arms DC193, DC194

Opening side

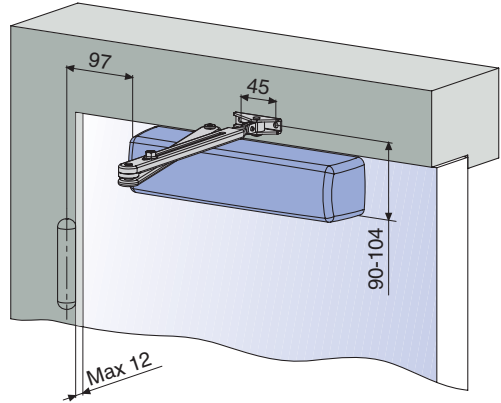


Closing side

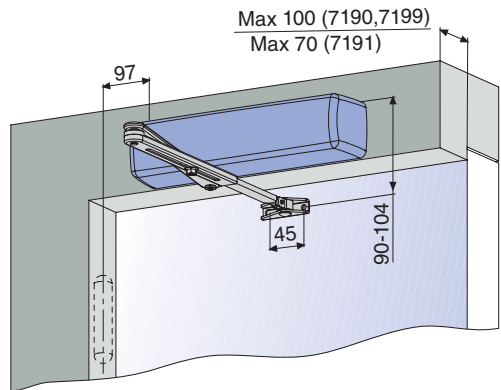


Installation with arms 7190, 7191

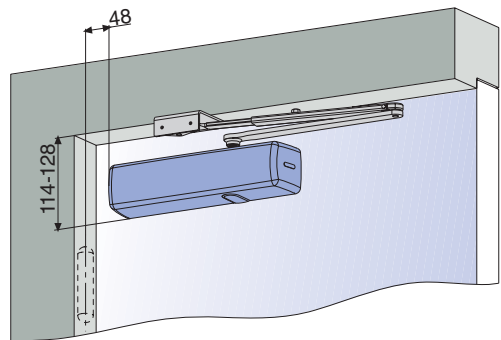
Opening side



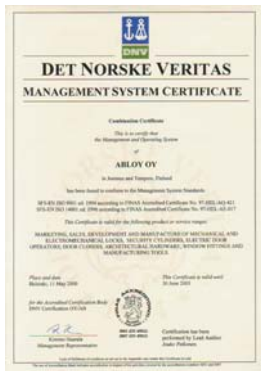
Closing side



Installation with parallel arm

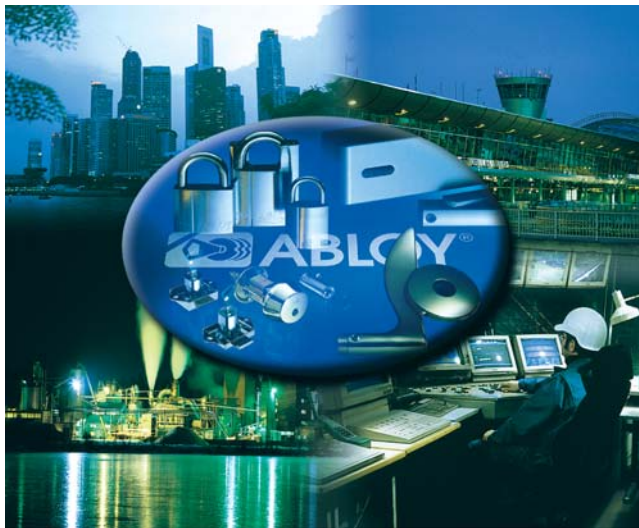


ABLOY® – the sign for security



The quality and environmental systems used by Abloy Oy guarantee that customers can be certain of **ABLOY®** quality in every field. We received our first Quality System Certificate - SFS-EN ISO 9001 - in 1989. Just eight years later, Abloy Oy was one of the first companies in Finland to be granted an SFS-EN-ISO 14001 Environmental System Certificate.

Our products are designed and manufactured not only to provide high levels of security, but also to be reliable, user-friendly and aesthetically pleasing. **ABLOY®** is your sign for security.



ABLOY® is a registered trademark of Abloy Oy, one of the leading manufacturers of locks, locking systems and architectural hardware and the world's leading developer of products in the field of electromechanical lock technology.

The unique **ABLOY®** detainer disc cylinder mechanism has several advantages over conventional locking mechanisms. Ever since its invention in 1907, it has been a symbol of high security and superior performance.

Our range consists of electromechanical locks, cam locks, padlocks, office furniture locks, rim locks, lock cases, cylinders for different types of mortice locks, door closers, door automatics and architectural hardware. **ABLOY®** locking solutions for every application are available from our world-wide network of distributors.

Customer-oriented development, combined with our long experience and extensive security expertise, mean that **ABLOY®** security solutions employ the very latest technology to meet your needs.



www.abloy.com

Abloy Oy
Wahlforsinkatu 20
P.O. Box 108
FI-80101 JOENSUU
FINLAND
Tel. +358 20 599 2501
Fax +358 20 599 2209

