

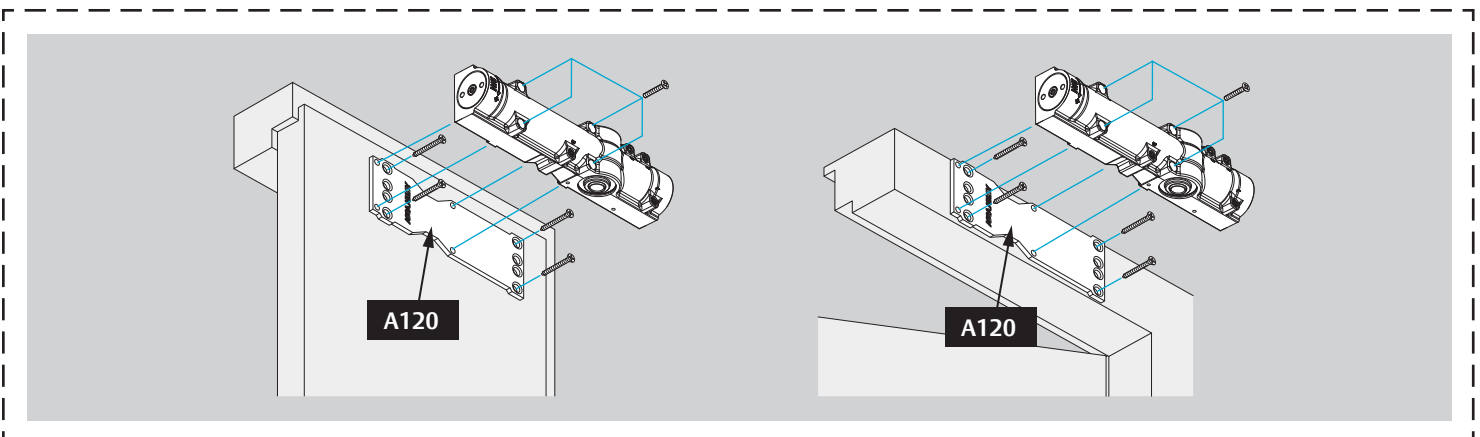
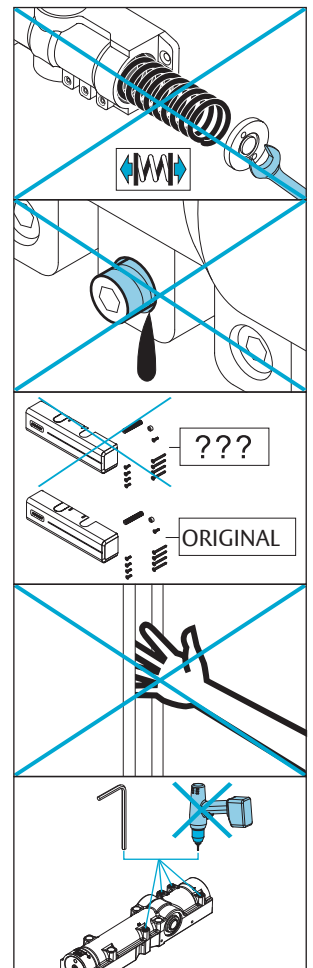
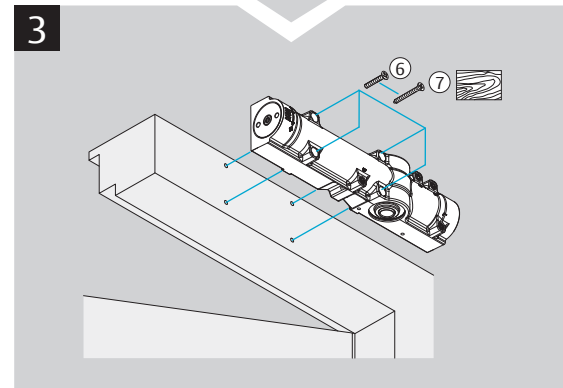
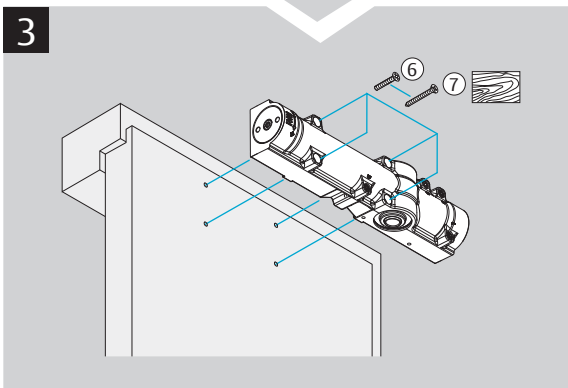
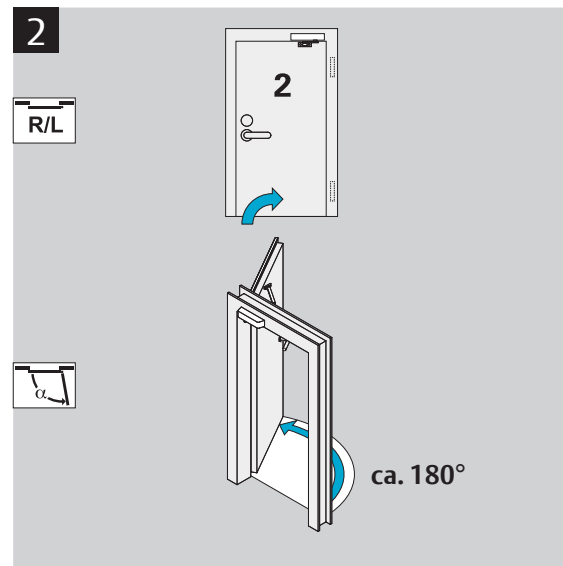
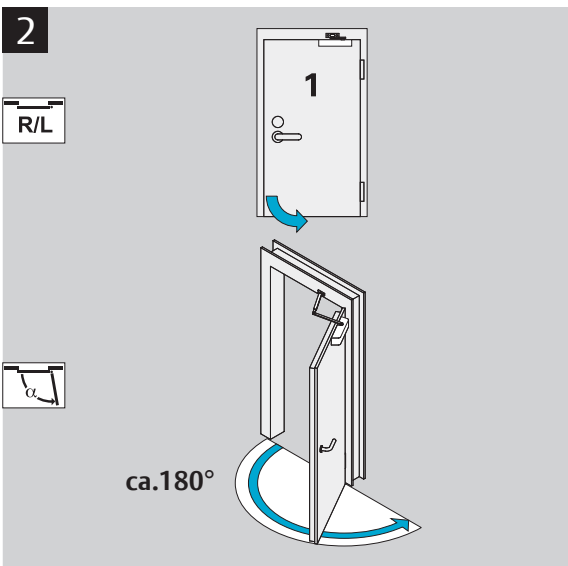
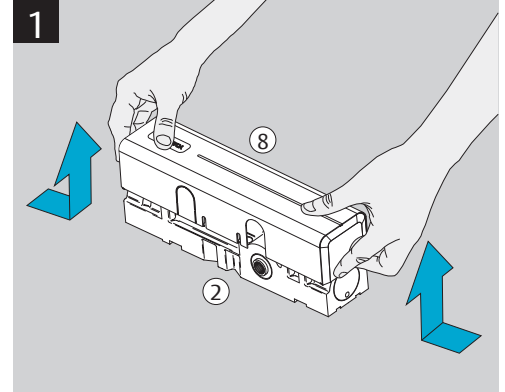
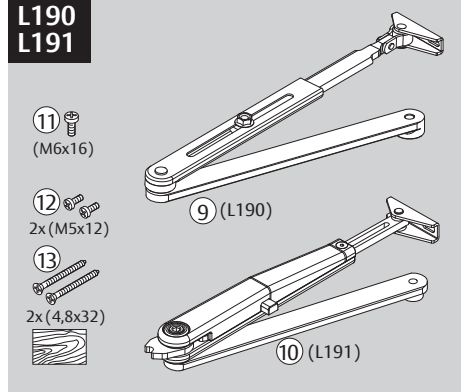
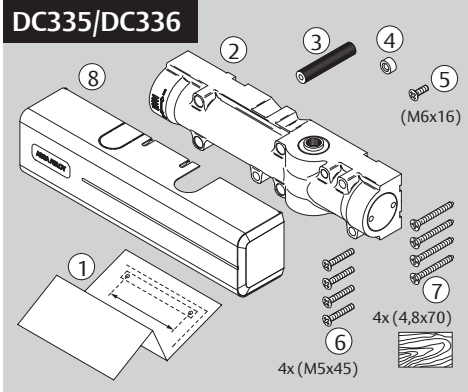


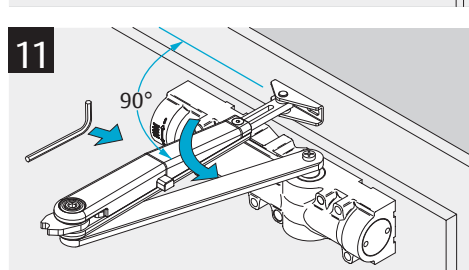
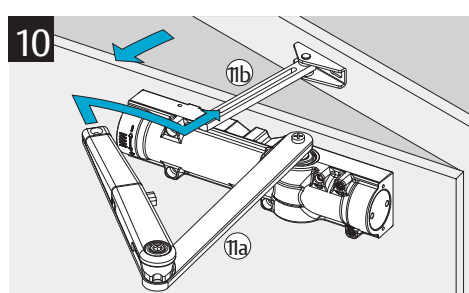
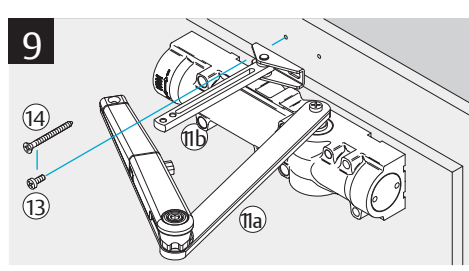
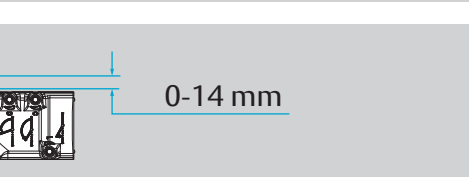
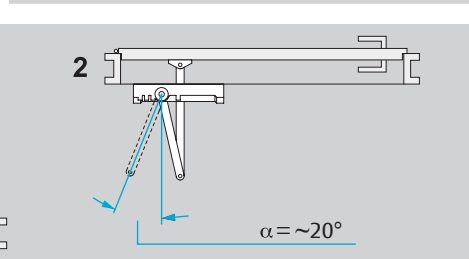
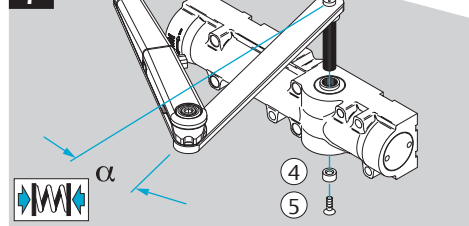
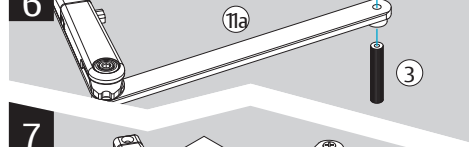
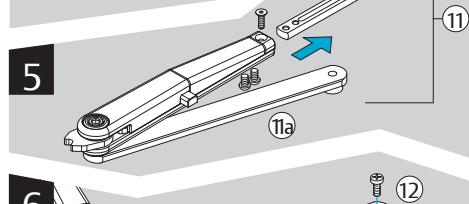
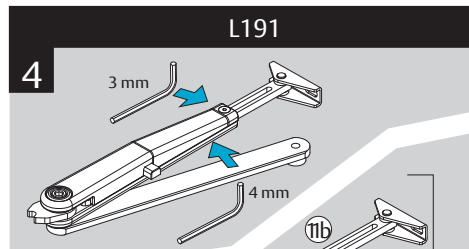
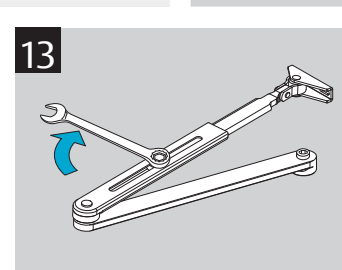
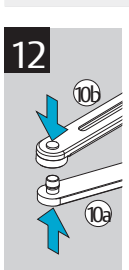
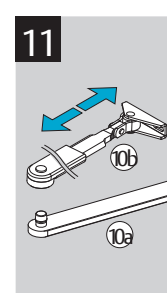
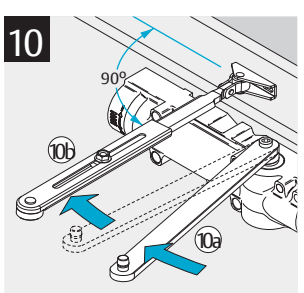
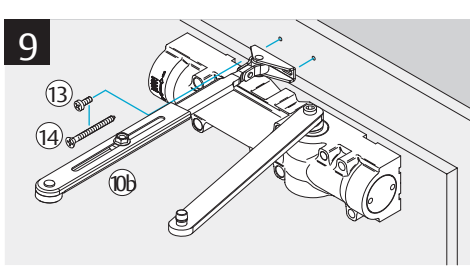
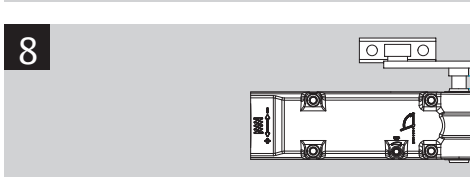
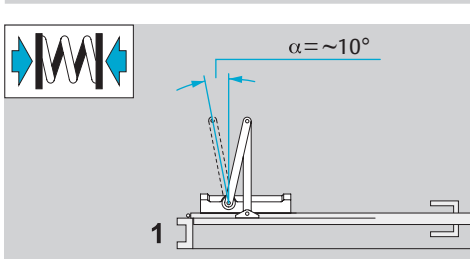
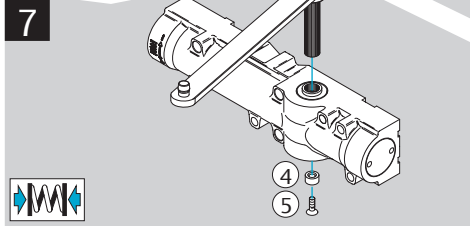
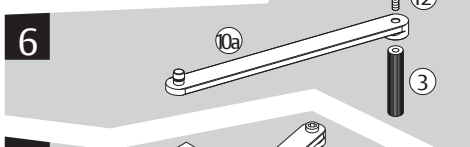
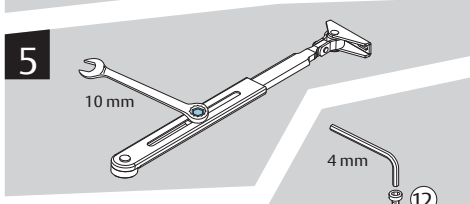
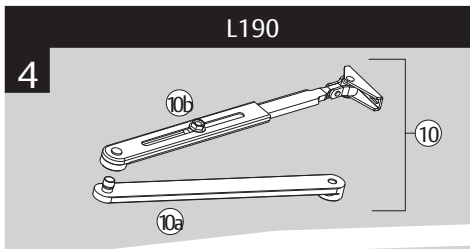
www.assaabloy.com/dop



DoP

www.assaabloy.com/dop





**14 12**

5 mm

min. EN3

EN	3	4	5	6
DC335	1	6	12	-
DC336	0	3	6	12

**15 13**

L C B

**16 14**

8

CE	Abloy Oy, PO Box 108 80101 Joensuu, Finland		16			
	DC335	EN 1154:1996/A1:2002/AC:2006-02 1121-CPR-AD5244	4	8	5 3	1 1 3
Dangerous substances: None						

CE	Abloy Oy, PO Box 108 80101 Joensuu, Finland		16			
	DC336	EN 1154:1996/A1:2002/AC:2006-02 1121-CPR-AD5245	4	8	6 3	1 1 3
Dangerous substances: None						

**ASSA ABLOY**

Abloy Oy  
P.O.Box 108  
80101 Joensuu  
FINLAND  
Tel.: +358-20 599 2501  
Fax: +358-20 599 2209  
www.assaabloy.com  
www.abloy.com/dop

6001005 21.2.2018