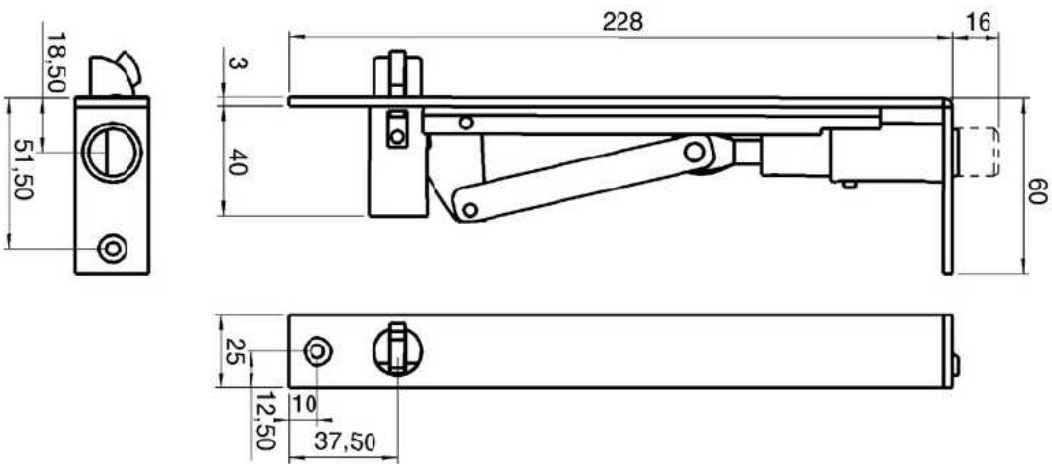
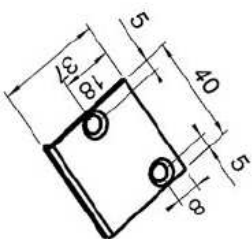
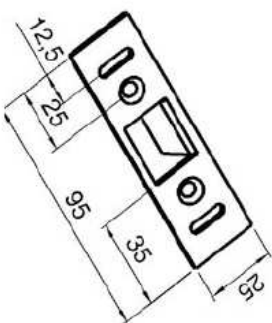


Installation instruction STEP 21

Drawing STEP 21



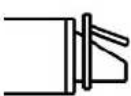
Striking plate for the bolt with bent edge in the doors opening direction.



Sliding plate for operating the latchbolt with bent edge in the doors opening direction.

Instruction to turn latches to adjust for left or right hung door

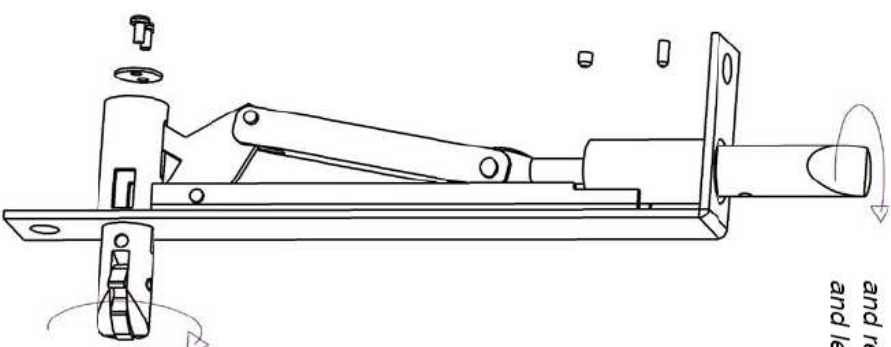
Note! Bolt shall always be erected with the cut end in the doors opening direction.



Loosen stop screws before you adjust the length or direction of the bolt. After the adjustment tightening the stop screws.

Latchbolt reversible for left and right function. Screw out the two M3 screws on the back of the latchbolt.

Shoot adjustable 25mm and reversible for right and left function.



Remove the latchbolt. Turn the latchbolt 180 degree and insert it from the same side.