



**TS 72**

**Door Closer**

## The ideal solution for doors up to 1100 mm wide – tested and approved to EN 1154

The DORMA TS 72 is the ideal multi-purpose door closer for all standard door designs and constructions. Without a backplate, it is particularly easy and quick to fix.

The spring strength can be individually adapted to the door size by means of an adjusting screw.

Certified to ISO 9001

### Benefits

#### For the trade

- Just one model for all standard doors.
- Increased stocking flexibility thanks to use of the standard ClassicLine series arm.

#### For the installer/fabricator

- Non-handed design.
- Closing force, closing speed and latching action adjustable in just a few movements.

#### For the architect/specifier

- Outstanding value for money.
- Compact construction combined with timeless design.

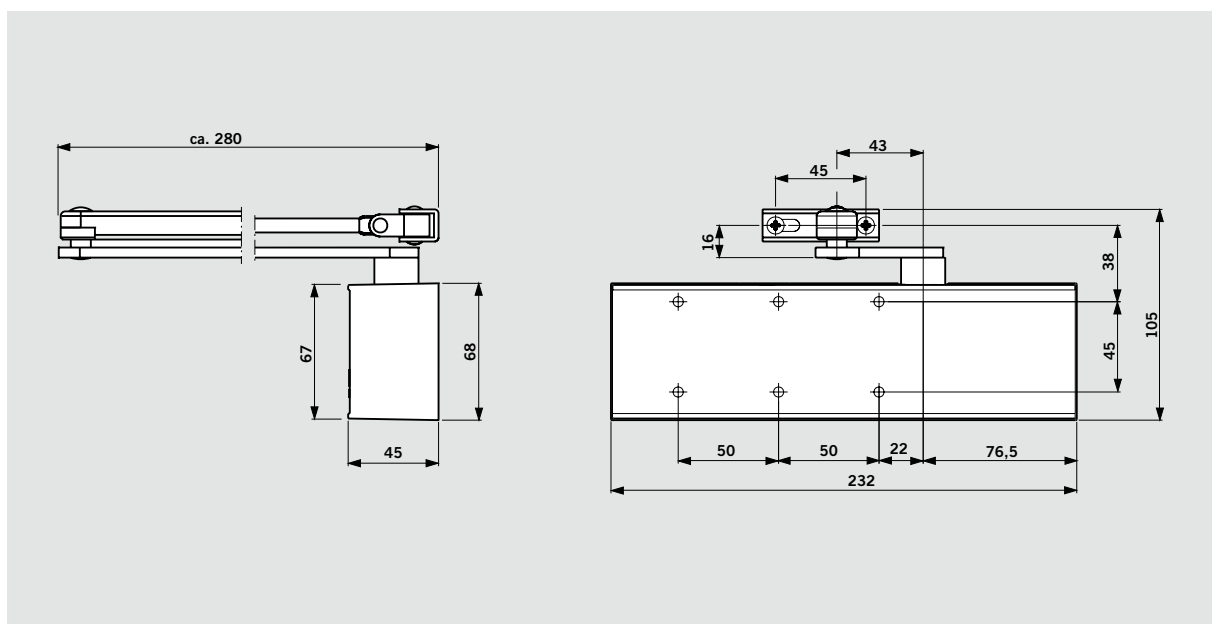
#### For the user

- Constant closing action virtually unaffected by temperature fluctuations.
- Optimum closing speed adjustment with two regulating valves.
- Reliable closing with adjustable latching action.

| Data and features                             |                                   | TS 72           |
|---|-----------------------------------|-----------------|
| Spring strength adjustable                    | Size                              | EN 2 – 4        |
| Standard doors                                | ≤ 1100 mm <sup>1)</sup>           | ●               |
| External doors, outward opening               |                                   | –               |
| Fire doors                                    |                                   | ●               |
| Non-handed                                    |                                   | ●               |
| Arm type                                      | Standard                          | ●               |
|   | Slide channel                     | –               |
| Closing speed adjustable at 2 separate valves | 180° – 15°<br>15° – 0°            | ●               |
| Latching action adjustable (by arm)           |                                   | ●               |
| Backcheck                                     |                                   | –               |
| Delayed action                                |                                   | –               |
| Hold-open                                     |                                   | ○               |
| Weight in kg                                  |                                   | 1.2             |
| Dimensions in mm                              | Length<br>Overall depth<br>Height | 232<br>45<br>68 |
| Door closer tested and approved to EN 1154    |                                   | ●               |
| CE mark for building products                 |                                   | ●               |

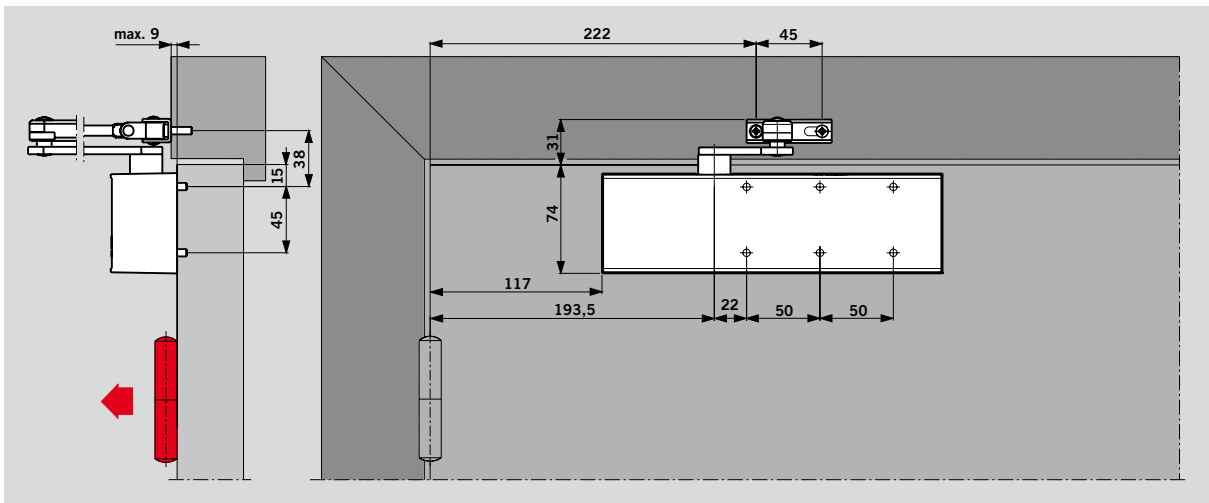
● Yes – No ○ Option

<sup>1)</sup> With parallel-arm fixing, the closing force is approx. 20 Nm (for doors up to 950 mm)



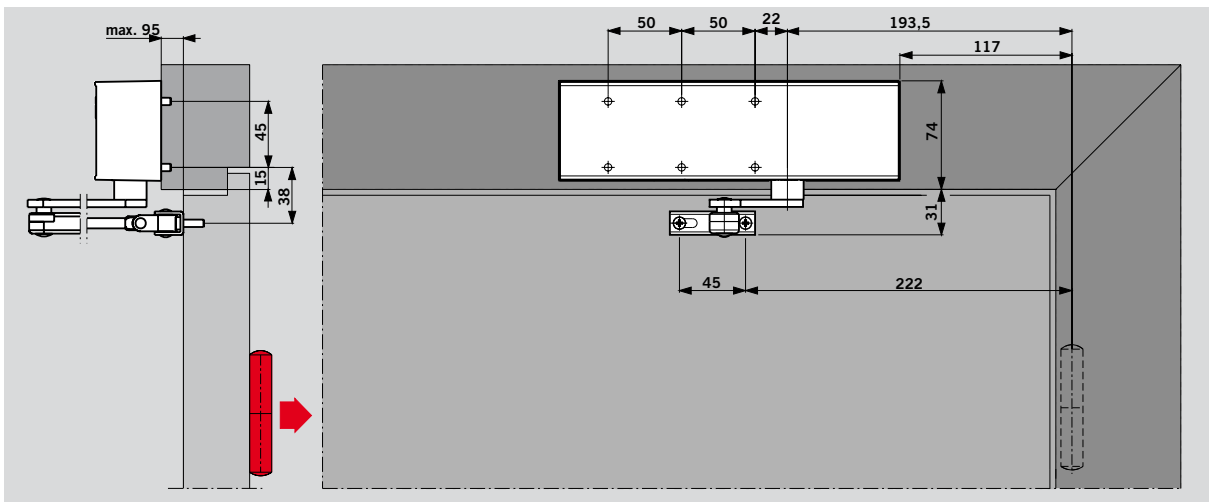
## Door leaf fixing, pull side

(Example refers to left-hand [ISO 6] door; mirror image applies to right-hand [ISO 5] door)



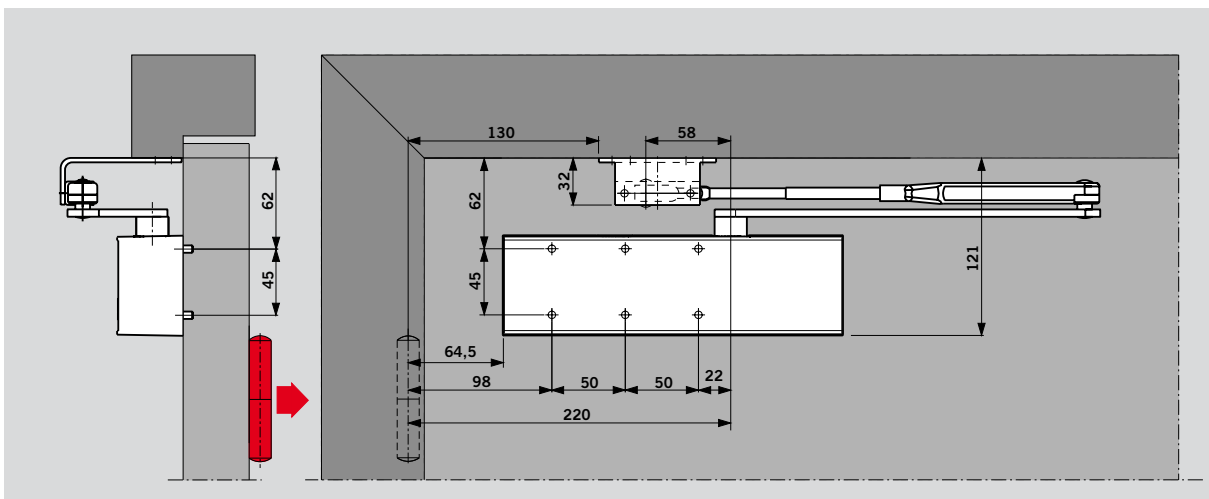
## Transom fixing (overhead frame installation), push side

(Example refers to left-hand [ISO 6] door; mirror image applies to right-hand [ISO 5] door)



## Parallel-arm fixing, push side

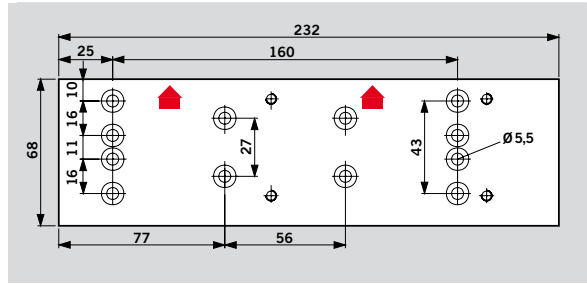
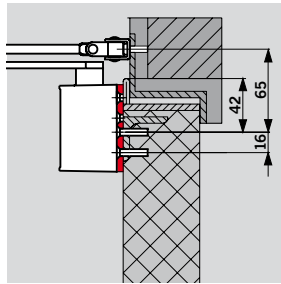
(Example refers to left-hand [ISO 6] door; mirror image applies to right-hand [ISO 5] door). Parallel-arm bracket (accessory) necessary



With this fixing method, the closing force is approx. 20 Nm (for doors up to 950 mm)

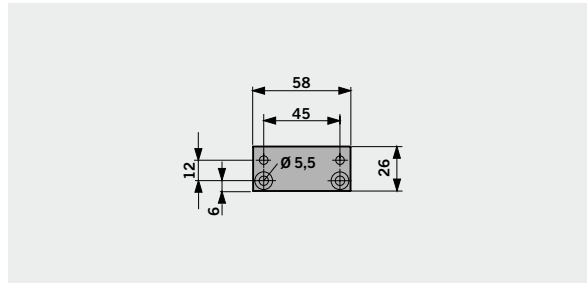
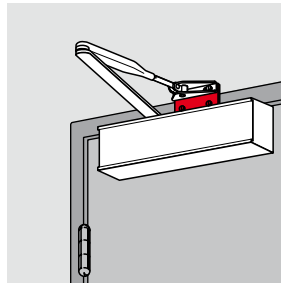
**Mounting backplate**

For fixing to doors on which the closer cannot be directly installed. Drilled hole pattern as per EN 1154, Supplement 1.



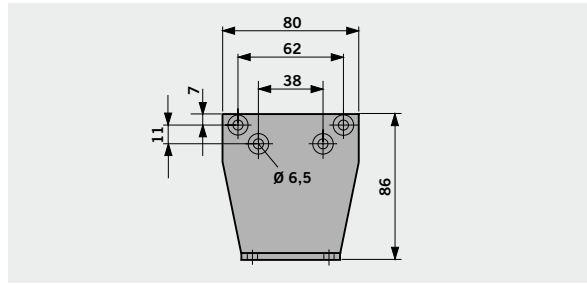
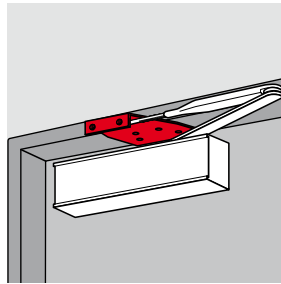
**Upstand hinge bracket**

For fixing the arm to particularly narrow door frames.



**Fixing bracket**

For the parallel-arm configuration.



| Standard equipment and accessories |                                |                                 |                                    |                             |                                      |
|------------------------------------|--------------------------------|---------------------------------|------------------------------------|-----------------------------|--------------------------------------|
| Closer body<br>TS 72<br>           | Standard arm<br><br>□ 220023xx | Hold-open arm<br><br>□ 220025xx | Mounting backplate<br><br>220021xx | Hinge plate<br><br>830014xx | Parallel-arm bracket<br><br>280066xx |
| Size EN 2 – 4<br>222321xx          |                                |                                 | #                                  | #                           | #                                    |

Order No.:

- = Closer separate
- = Arm assembly separate
- # = Accessory

| Colour                   | xx |
|--------------------------|----|
| Silver                   | 01 |
| White (sim. to RAL 9016) | 11 |
| Special colour           | 09 |

**Specification text**

Rack-and-pinion door closer with adjustable closing force, size EN 2 – 4, closing speed adjustable in two independent ranges, with adjustable latching action. Non-handed. Tested and approved to EN 1154.

- Model**
- with standard arm
  - with hold-open arm
- Accessories**
- Mounting backplate
  - Upstand hinge plate
  - Fixing bracket for parallel-arm assembly

- Colour**
- Silver
  - Dark brown
  - White (sim. to RAL 9010)
  - White (sim. to RAL 9016)
  - Special colour \_\_\_\_\_ (sim. to RAL \_\_\_\_)

**Make DORMA TS 72**

### Standard and optional functions

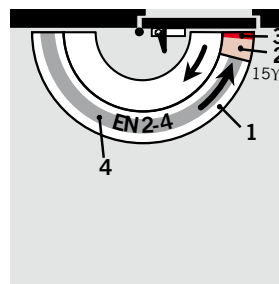
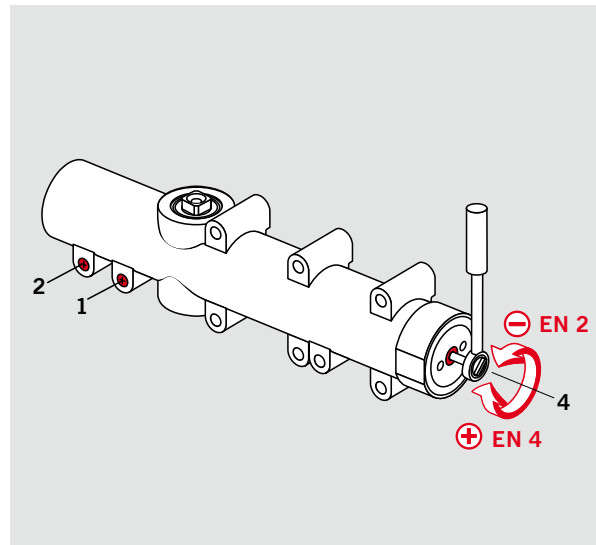
The **closing speed** of the DORMA TS 72 is variable in two independent ranges by separate valves.

In addition, the **latching action** can be adjusted at the closer arm.

The **closing force (size setting)** for the door width concerned is variable at the adjustment screw located at the end face of the TS 72 closer body.

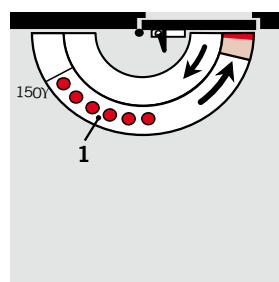
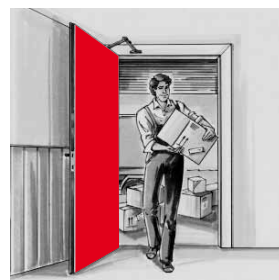
#### Closing force settings

| Door width | Setting |
|------------|---------|
| ≤ 850      | EN 2    |
| ≤ 950      | EN 3    |
| ≤ 1100     | EN 4    |



- 1 Closing speed adjustable in the range 180° – 15°.
- 2 Closing speed adjustable in the range 15° – 0°.
- 3 Latching action (variable at arm).
- 4 Adjustable closing force.

If the DORMA TS 72 is installed with a **hold-open arm**, the doors can be held open at any desired point (up to approx. 150°).



- 1 Hold-open range



**Door Control**



**Automatic**



**Glass fittings and Accessories**



**Security Time and Access (STA)**



**Movable Walls**

**Door Control Division worldwide**

**Central Europe**

DORMA GmbH + Co. KG  
DORMA Platz 1  
D-58256 Ennepetal  
Tel. +49 2333 793-0  
Fax +49 2333 793-495

**Australasia**

DORMA Door Controls Pty. Ltd.  
46-52, Abbott Road  
Hallam/Victoria 3803  
Australia  
Tel. +61 3979 63555  
Fax +61 3979 63955

**China/Hong Kong**

DORMA Door Controls  
(Suzhou) Co. Ltd.  
No. 9, Hong Feng Road  
Suzhou Singapore Industrial Park  
Suzhou, 215021  
P.R. of China  
Tel. +86 512 67612481  
Fax +86 512 67614582

**Emerging Markets**

DORMA GmbH + Co. KG  
DORMA Platz 1  
D-58256 Ennepetal  
Tel. +49 2333 793-0  
Fax +49 2333 793-495

**France**

DORMA France S.A.S.  
Zone Europarc  
Immeuble Mega 42  
42, Rue Eugène Dupuis  
F-94046 Créteil Cedex  
Tel. +33 1 41942400  
Fax +33 1 41942401

**Far East**

DORMA Far East Pte. Ltd.  
No. 31 Gul Lane  
Singapore 629425  
Tel. +65 6268 7633  
Fax +65 6265 7995

**Gulf**

DORMA Gulf Door Controls FZE  
Jebel Ali Free Zone South  
Plot No. S 20135  
Road No. SW 301 G  
P.O. Box 17268  
Dubai – United Arab Emirates  
Tel. +971 4 8020400  
Fax +971 4 8869100 / 8869101

**North America**

DORMA Architectural Hardware  
DORMA Drive, Drawer AC  
Reamstown, PA 17567-0411  
Tel. +1 800 5238483  
Fax +1 800 2749724

**South America**

DORMA Sistemas de Controles  
para Portas Ltda.  
Av. Piracema, 1400  
Centro Empresarial Tambore  
CEP 06400-933 Barueri/  
São Paulo, Brasil  
Tel. +55 11 46899280  
Fax +55 11 46899215

**South-East Europe**

DORMA AUSTRIA GmbH  
Pebering Strass 22  
A-5301 Eugendorf  
Tel. +43 6225 284880  
Fax +43 6225 28491

**South Europe**

DORMA Italiana S.r.l.  
Via. Canova 44/46  
I-20035 Lissone (MI)  
Tel. +39 039 244031  
Fax +39 039 24403310

**UK/Ireland**

DORMA UK Ltd.  
Wilbury Way  
Hitchin  
GB-Hertfordshire SG4 0AB  
Great Britain  
Tel. +44 1462 477600  
Fax +44 1462 477601