



### Product description

DC240 door closer can be used with height-adjustable sliding rail or standard arm. Suitable for external and internal doors.

### Overview of Advantages

- CE certified with sliding arm and standard arm
- Adjustable closing force size EN 1-4 (DC240DA: EN 2-4) with sliding arm according EN 1154
- Adjustable closing force size EN 2-6 with standard arm according EN 1154
- Back check (BC) as a standard feature
- Delayed action (DA) as an option
- Operating temperature range: -35°C...+45°C
- Adjustable latching and back check starting angle by grooved spindle
- Easy adjustment of arm height (14 mm)
- Two pressure relief valves to protect against overload
- Maximum door weight 120 kg and door width 1400 mm with standard arm installation
- Maximum door weight 80 kg and door width 1100 mm with sliding arm installation
- Easy to install

### Sliding arm DC194

- With protective cover
- Concealed fastening screws

### Standard arm DC190

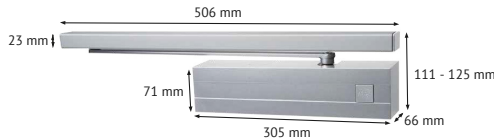
- Opening angle up to 180°
- Detachable joint

### Standard arm DC199

- Can be used with fire doors
- Locked joint

### Hold-open standard arm DC191

- Hold-open angle adjustable up to 120°
- Hold-open mode can be enabled and disabled as required
- Cannot be used with fire and smoke protection doors



### Technical data

DC240 variable adjustable closing force	EN 2-6 (Standard arm) EN 1-4 (Sliding rail)
DC240DA variable adjustable closing force	EN 2-4 (Sliding rail)
Door width up to (standard arm / sliding rail)	1400mm / 1100mm
Fire and smoke protection	Yes
Door swing directions	Left/right handed
Mounting method	Standard and frame installation, hinge and non-hinge side
Closing speed	Variable between 180°- 15°
Latching speed	Variable between 15°-0°
Backcheck	Variable above 75°
Delayed action	Variable between 180°-15°
Opening angle, hinge side (standard arm and sliding rail)	ca. 180°
Opening angle, non-hinge side (standard arm)	120°-180°
Opening angle, non-hinge side (sliding rail)	ca. 120°
Door closer weight	2.1kg
Certificate number (DC240)	0432-CPD-0047
Certificate number (DC240DA)	1121-CPR-AD5240
CE marking for building products	Yes
Basic colours (door closer, arm)	White (RAL 9016), Silver (EV1), Painted brass, Brown (RAL 8014), Black (RAL 9005), Customised finish
Metal covers	Stainless steel

We reserve the right to make alterations to the products described in this leaflet.

## Accessories

Hold-open device DC152



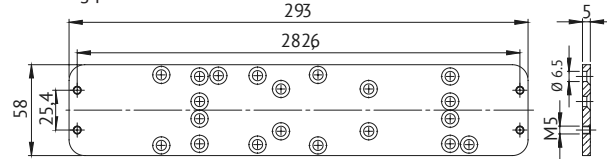
Opening damper DC153



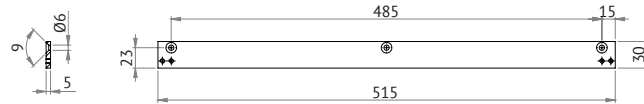
Parallel arm bracket for DC190/DC191/DC199



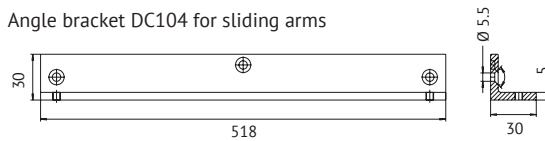
Mounting plate DC126



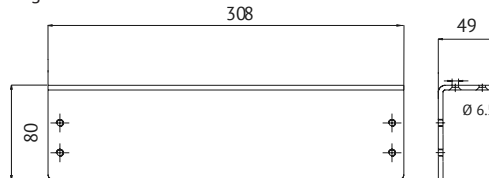
Mounting plate DC115 for sliding arms



Angle bracket DC104 for sliding arms

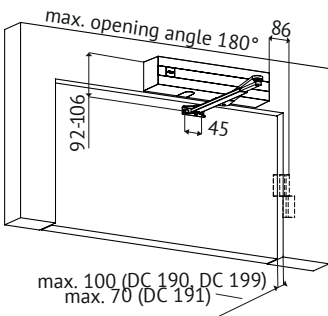


Angle bracket DC107



## Installation

Closing side



Opening side

