

## ABLOY® CY037

Door lock single cylinder for Finnish type mortice locks



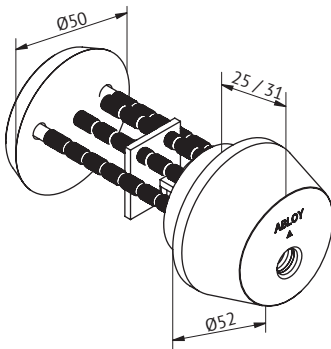
### Product description

Single outside cylinder to be used with mortice lock cases for standard doors, both mechanical and electric lock cases.

Lock is operated by key from outside the door.

### Overview of Advantages

- Can be use with wide range of Finnish type mortice lock cases for standard doors
- Suitable for both outer and inner door use
- Adjustable during installation to match different door thicknesses
- Several plating options, also antimicrobial paints



### Technical data

Available key systems	ABLOY PROTEC2, ABLOY NOVEL, ABLOY CLASSIC
Available plating options	Bright chrome (Cr), Satin chrome (HCr), Black chrome (DCr), Brushed nickel (NiHa), Bright brass (MSKiLa), Satin brass (MSHaLa), Antimicrobial painted ACTIVE Val (white)/Mus (black)/Har (gray)/Gra (graphite)
Cylinder ring diameter	52mm
Cylinder ring height	Standard 25mm, for thin doors 31mm
Blind plate diameter	50mm
Suitable for fire doors	Yes
EN 1303 2015 classification	Key related security 6, attack resistance C
Weight	0.39 kg
Possible door thicknesses:	42...152mm

We reserve the right to make alterations to the products described in this leaflet.