

ABLOY® DC335

Rack & pinion door closer



Product description

DC335 door closer can be used with height-adjustable standard arm. Suitable for external and internal doors.

Overview of Advantages

- CE certified with standard arm
- Adjustable closing force size EN 3-5 with standard arm according EN 1154
- Back check (BC) as a standard feature
- Operating temperature range: -35°C...+45°C
- Adjustable latching and back check starting angle by grooved spindle
- Easy adjustment of arm height (14 mm)
- Two pressure relief valves to protect against overload
- Maximum door weight 100 kg and door width 1250 mm
- Easy to install

Standard arm DC190

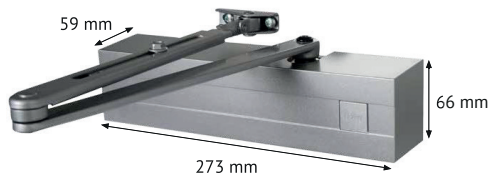
- Opening angle up to 180°
- Detachable joint

Standard arm DC199

- Can be used with fire doors
- Locked joint

Hold-open standard arm DC191

- Hold-open angle adjustable up to 120°
- Hold-open mode can be enabled and disabled as required
- Cannot be used with fire and smoke protection doors



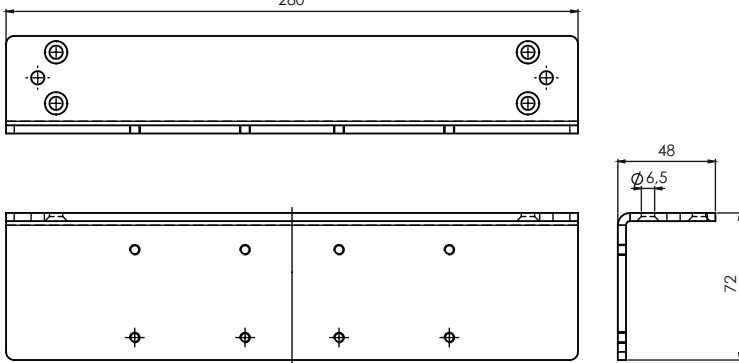
Technical data

DC335 variable adjustable closing force	EN 3-5
Door width up to	1250mm
Fire and smoke protection	Yes
Door swing directions	Left/right handed
Mounting method	Standard installation, hinge side and frame installation, non-hinge side
Closing speed	Variable between 180°-15°
Latching speed	Variable between 15°-0°
Backcheck	Variable above 75°
Opening angle, hinge side	ca. 180°
Opening angle, non-hinge side	120°-180°
Door closer weight	1.8kg
Certificate number	1121-CPR-AD5244
CE marking for building products	Yes
Basic colours (door closer, arm)	White (RAL 9016), Silver (EV1), Painted brass, Brown (RAL 8014), Black (RAL 9005), Customised finish
Metal covers	Stainless steel

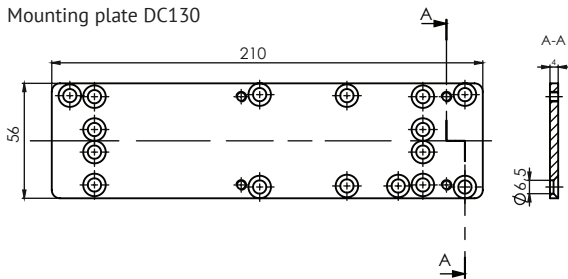
We reserve the right to make alterations to the products described in this leaflet.

Accessories

Angle bracket DC113

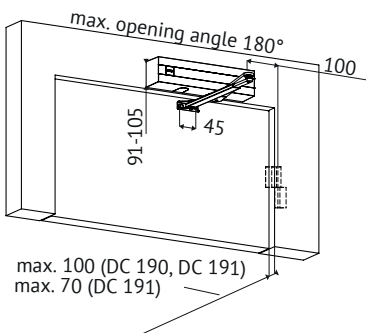


Mounting plate DC130



Installation

Closing side



Opening side

