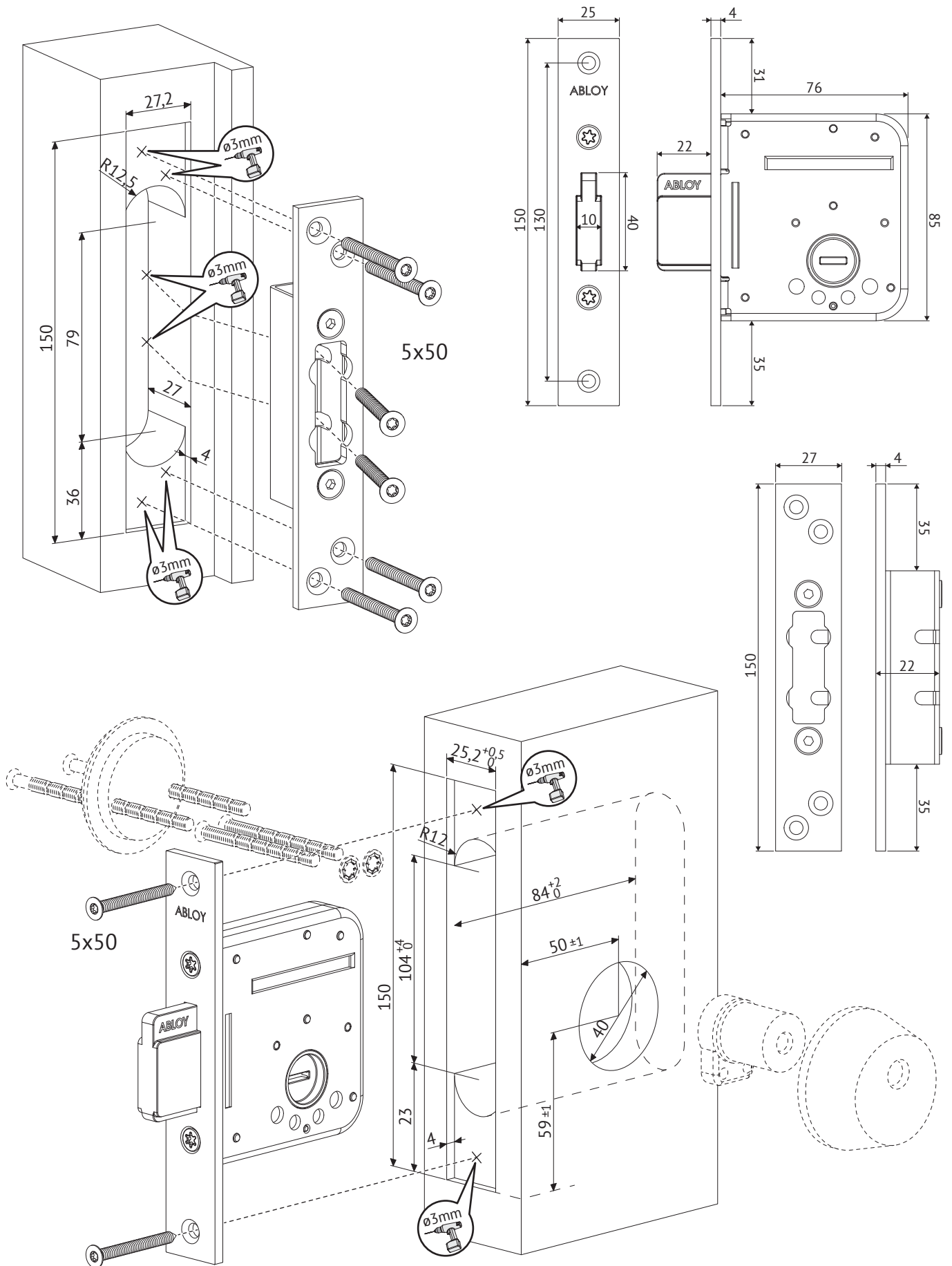


ABLOY® LC108/LC109



6002733 13.6.2019 Rev.2