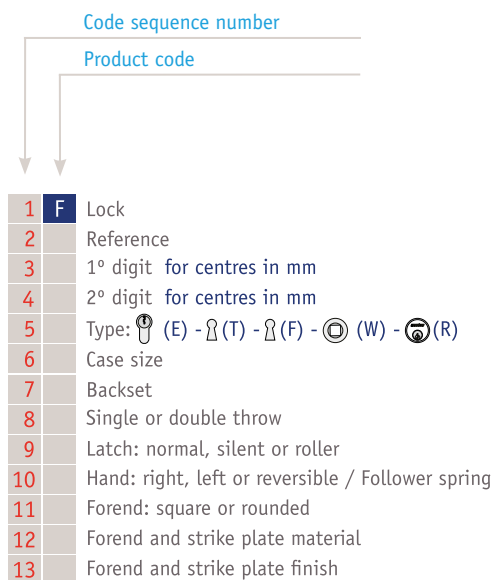


SECURITY LOCKS FOR WOODEN DOORS

LOCKS

- . FOR EURO CYLINDERS OR LEVER KEYS (STANDARD)
- . POLYESTER PAINTED CASE AND COVER (STANDARD)
- . DRILL PROTECTED CASE AND SAW PROTECTED DEADBOLT (OPTIONAL)
- . PRIOR EASY REPLACEABLE FOREND FOR FINISH CHANGE PURPOSE (STANDARD)
- . SINGLE DEADBOLT THROW: 21MM THROW (STANDARD)
- . DOUBLE DEADBOLT THROW: 11MM + 10MM (STANDARD)
- . LIGHT SPRING FOR SPRUNG LEVERS OR HEAVY SPRING FOR UNSPRUNG LEVERS (STANDARD)
- . SUITABLE FOR LEVERS ON ROSE AND CYLINDER ESCUTCHEONS - 38 OR 41MM PITCH (STANDARD)
- . CYLINDER FIXING SCREW (STANDARD)
- . ZINC PLATED INNER COMPONENTS (STANDARD)
- . LATCH: (N) REVERSIBLE (STANDARD)
- . LATCH: (S) SILENT REVERSIBLE (OPTIONAL)
- . LATCH: (R) ROLLER WITH ADJUSTABLE THROW (STANDARD)
- . ANTI-THRUST FEATURE (OPTIONAL)

SECURITY MORTICE LOCKS

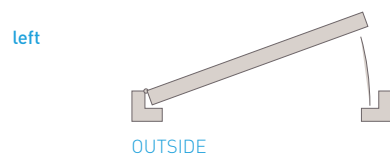
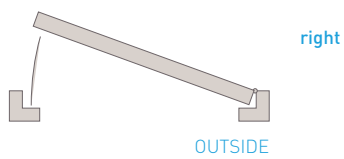


PLEASE NOTE

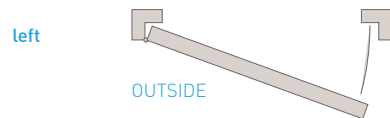
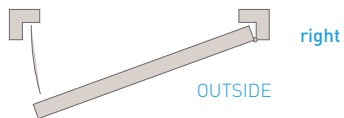
To indicate the product to order please fill in the empty boxes of each product code.

HANDING OF DOORS

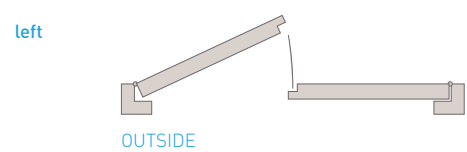
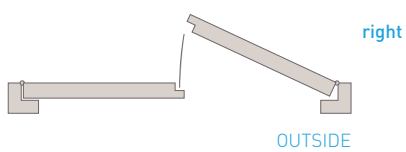
SINGLE DOORS INWARD OPENING



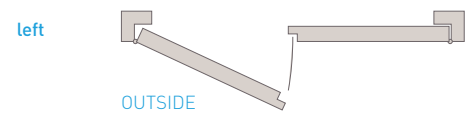
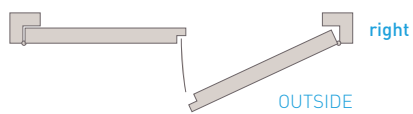
SINGLE DOORS OUTWARD OPENING



DOUBLE REBATED DOORS INWARD OPENING



DOUBLE REBATED DOORS OUTWARD OPENING



Series 772 EQ . 770 EQ . 768 EQ

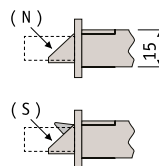
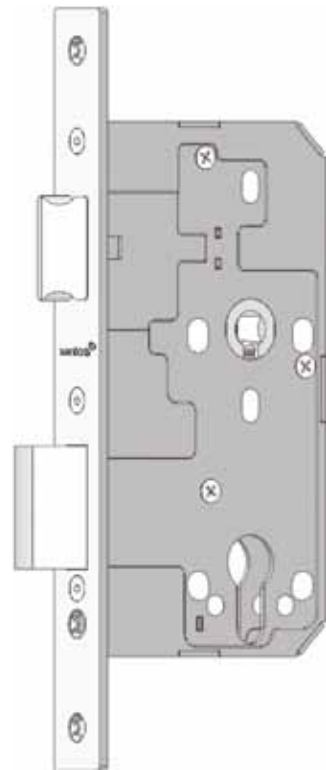
Euro cylinder mortice sashlock

Features

The deadbolt and the latch are operated on both sides by cylinder. The latch is reversible and operated on both sides by lever handle.

Options

- 6 Standard (Q); Drill protected case (X)
- 7 Backset in mm: 45 (J); 50 (L); 55 (M); 60 (O); 65 (P); 70 (Q); 80 (T)
- 8 Deadbolt throw 21mm: single throw (1); double throw (2)
- 9 Latch: normal (N); silent (S)
- 10 Suitable for: sprung lever (R); unsprung lever (V)
- 11 Forend in mm: square 24 (E) 20 (C); rounded 24 (K) 20 (I)
- 12 Forend and 772 R strike plate: SS 430 (I); SS 304 (J); brass (L)
- 13 Finish: satin (S)

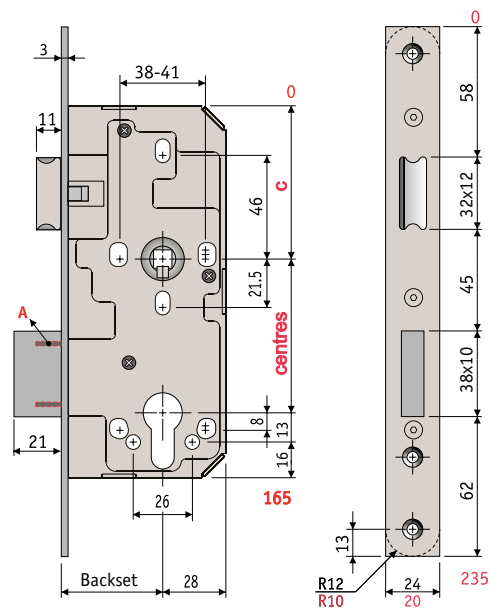


CASE 165 mm

centres mm	C mm	Ref
72	64	772 EQ
70	66	770 EQ
68	68	768 EQ

Code

1	2	3	4	5	6	7	8	9	10	11	12	13
F	7	7	2	E								S
F	7	7	0	E					R			S
F	7	6	8	E					R			S



A - saw protection

Series 785 EQ

Euro cylinder mortice sashlock

Features

The deadbolt and the latch are operated on both sides by cylinder. The latch is reversible and operated on both sides by lever handle.

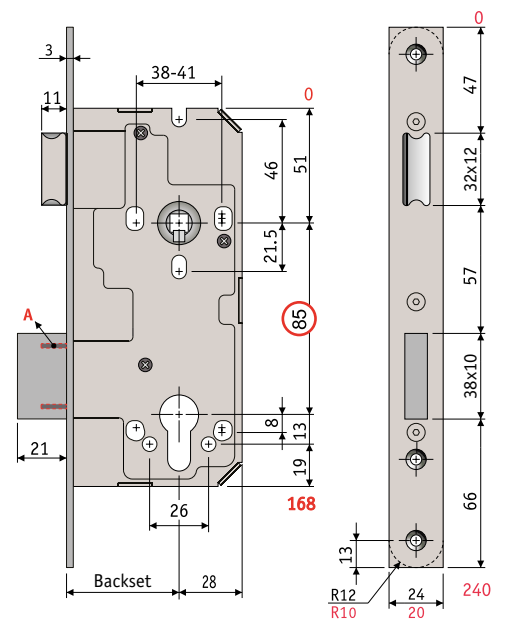
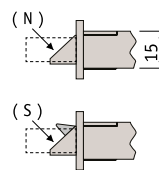
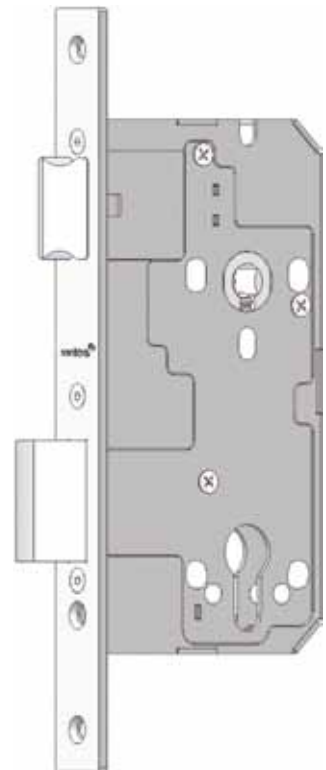
Options

- 6 Standard (Q); Drill protected case (X)
- 7 Backset in mm: 45 (J); 50 (L); 55 (M); 60 (O); 65 (P); 70 (Q); 80 (T)
- 8 Deadbolt throw 21mm: single throw (1); double throw (2)
- 9 Latch: normal (N); silent (S)
- 11 Forend in mm: square 24 (E) 20 (C); rounded 24 (K) 20 (I)
- 12 Forend and 785 V strike plate: SS 430 (I); SS 304 (J); brass (L)
- 13 Finish: satin (S)

CASE 168 mm

Code

1	2	3	4	5	6	7	8	9	10	11	12	13
F	7	8	5	E					R			S



A - saw protection

Series 792 EQ . 790 EQ . 788 EQ

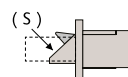
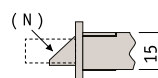
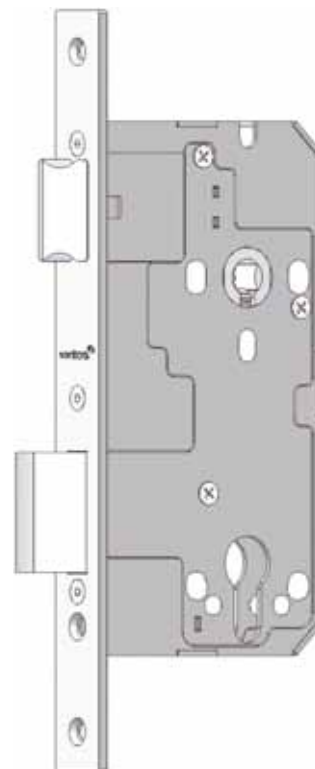
Euro cylinder mortice sashlock

Features

The deadbolt and the latch are operated on both sides by cylinder. The latch is reversible and operated on both sides by lever handle.

Options

- 6 Standard (Q); Drill protected case (X)
- 7 Backset in mm: 45 (J); 50 (L); 55 (M); 60 (O); 65 (P); 70 (Q); 80 (T)
- 8 Deadbolt throw 21mm: single throw (1); double throw (2)
- 9 Latch: normal (N); silent (S)
- 11 Forend in mm: square 24 (E) 20 (C); rounded 24 (K) 20 (I)
- 12 Forend and 785 V strike plate: SS 430 (I); SS 304 (J); brass (L)
- 13 Finish: satin (S)

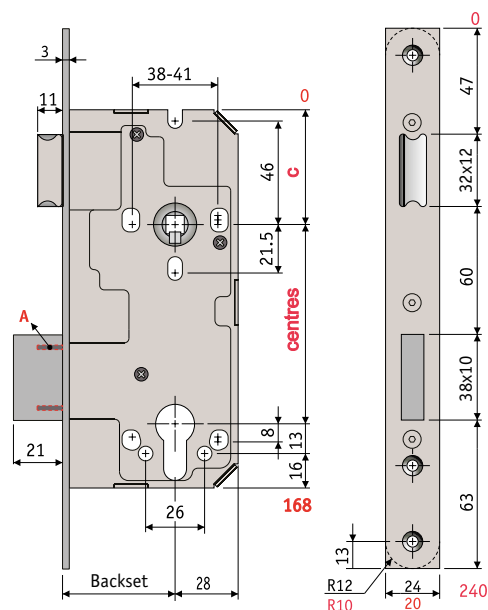


CASE 168 mm

centres mm	C mm	Ref
92	47	792 EQ
90	49	790 EQ
88	51	788 EQ

Code

1	2	3	4	5	6	7	8	9	10	11	12	13
F	7	9	2	E					R			S
F	7	9	0	E					R			S
F	7	8	8	E					R			S



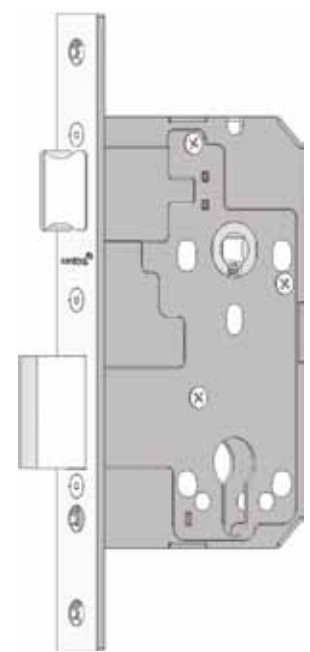
A - saw protection

Series 772 EO . 770 EO . 768 EO

Euro cylinder mortice sashlock

Features

The deadbolt and the latch are operated on both sides by cylinder.
The latch is reversible and operated on both sides by lever handle.



Options

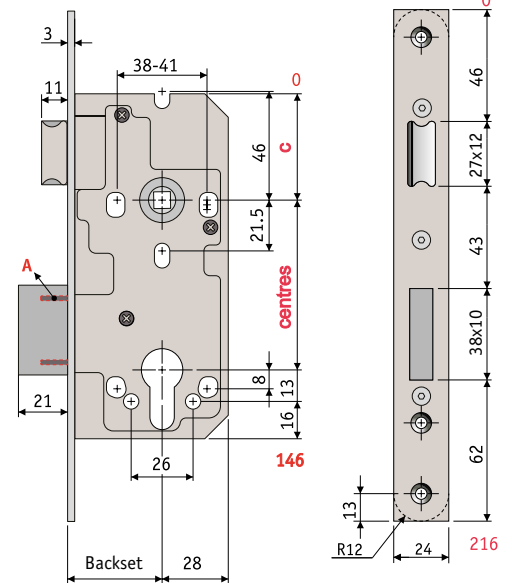
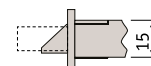
- 6 Standard (0); Drill protected case (V)
- 7 Backset in mm: 50 (L); 60 (O)
- 8 Deadbolt throw 21mm: single throw (1); double throw (2)
- 11 Forend: square (E); rounded (K)
- 12 Forend and 768 R strike plate: SS 430 (I); SS 304 (J); brass (L)
- 13 Finish: satin (S)

CASE 146 mm

centres mm	C mm	Ref
72	45	772 EO
70	47	770 EO
68	49	768 EO

Code

1	2	3	4	5	6	7	8	9	10	11	12	13
F	7	7	2	E				N	R			S
F	7	7	0	E				N	R			S
F	7	6	8	E				N	R			S



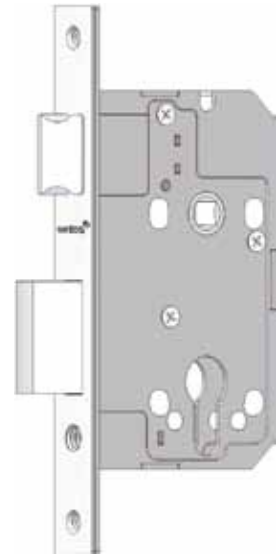
A - saw protection

Series 760 EM . 757 EM . 755 EM

Euro cylinder mortice sashlock

Features

The deadbolt and the latch are operated on both sides by cylinder.
The latch is reversible and operated on both sides by lever handle.



Options

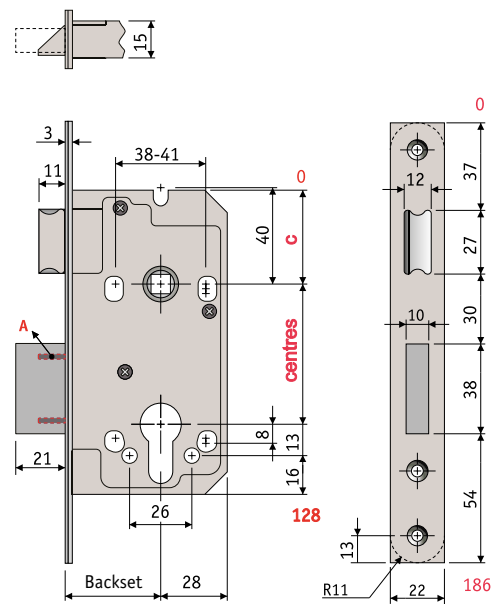
- 6 Standard (M); Drill protected case (U)
- 7 Backset in mm: 50 (L); 60 (O)
- 8 Deadbolt throw 21mm: single throw (1)
- 11 Forend: square (D); rounded (J)
- 12 Face plate and 755 R strike plate: SS 430 (I); SS 304 (J); brass (L)
- 13 Finish: satin (S)

CASE 128 mm

centres mm	C mm	Ref
60	39	760 EM
57	42	757 EM
55	44	755 EM

Code

1	2	3	4	5	6	7	8	9	10	11	12	13
F	7	6	0	E			1	N	R			S
F	7	5	7	E			1	N	R			S
F	7	5	5	E			1	N	R			S



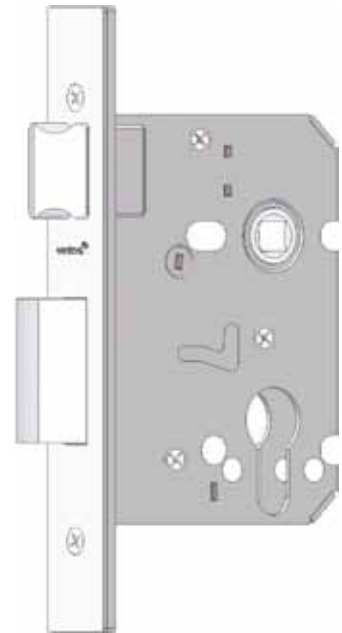
A - saw protection

Series 748 EK

Euro cylinder mortice sashlock

Features

The deadbolt and the latch are operated on both sides by cylinder. The latch is reversible and operated on both sides by lever handle.



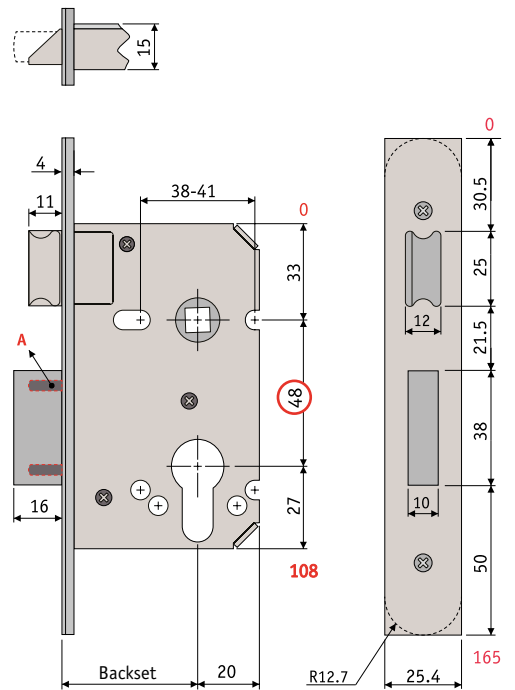
Options

- 6 Standard (K); Drill protected case (T)
- 7 Backset in mm: 45 (J); 58 (O)
- 11 Forend: square (F); rounded (L)
- 12 Face plate and 748 SF strike plate: SS 430 (I); SS 304 (J); brass (L)
- 13 Finish: satin (S)

CASE 108 mm

Code

1	2	3	4	5	6	7	8	9	10	11	12	13
F	7	4	8	E			1	N	R			S



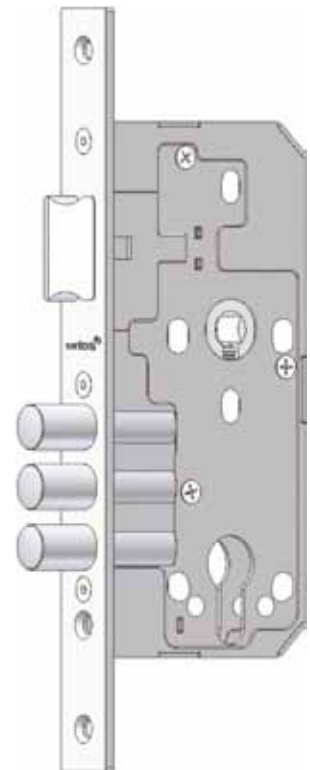
A - saw protection

Series 972 EQ

Euro cylinder three deadbolts mortice sashlock

Features

The deadbolts and the latch are operated on both sides by cylinder. The latch is reversible and operated on both sides by lever handle.



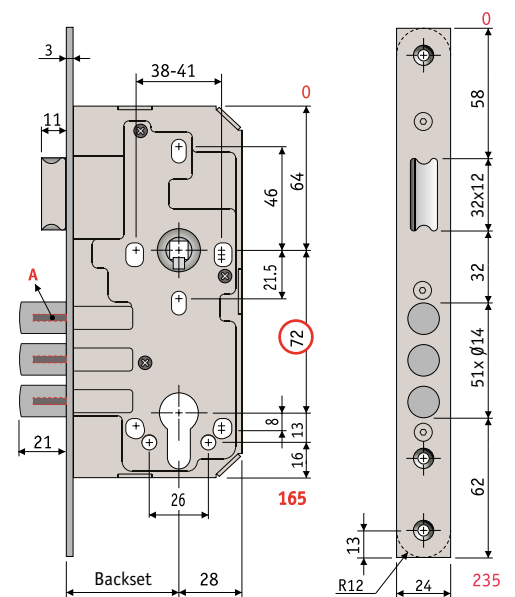
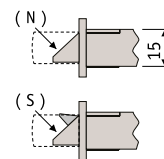
Options

- 6 Standard (Q); Drill protected case (X)
- 7 Backset in mm: 45 (J); 50 (L); 55 (M); 60 (O); 65 (P); 70 (Q); 80 (T)
- 8 Deadbolts throw 21mm: double throw (2)
- 9 Latch: normal (N); silent (S)
- 11 Forend: square (E); rounded (K)
- 12 Forend and 972 R strike plate: SS 430 (I); SS 304 (J); brass (L)
- 13 Finish: satin (S)

CASE 165 mm

Code

1	2	3	4	5	6	7	8	9	10	11	12	13
F	9	7	2	E			2		R			S



A - saw protection

Series 985 EQ

Euro cylinder three deadbolts mortice sashlock

Features

The deadbolts and the latch are operated on both sides by cylinder.
The latch is reversible and operated on both sides by lever handle.

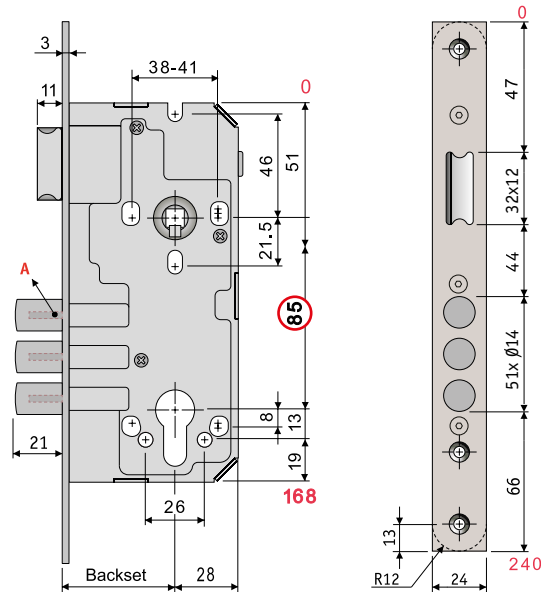
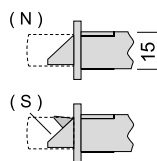
Options

- 6 Standard (Q); Drill protected case (X)
- 7 Backset in mm: 45 (J); 50 (L); 55 (M); 60 (O)
- 8 Deadbolts throw 21mm: double throw (2)
- 9 Latch: normal (N); silent (S)
- 11 Forend: square (E); rounded (K)
- 12 Forend and 985 V strike plate: SS 430 (I); SS 304 (J); brass (L)
- 13 Finish: satin (S)

CASE 168 mm

Code

1	2	3	4	5	6	7	8	9	10	11	12	13
F	9	8	5	E			2		R			S



A - saw protection

Series 992 EQ . 990 EQ . 988 EQ

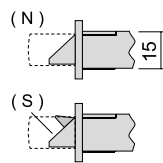
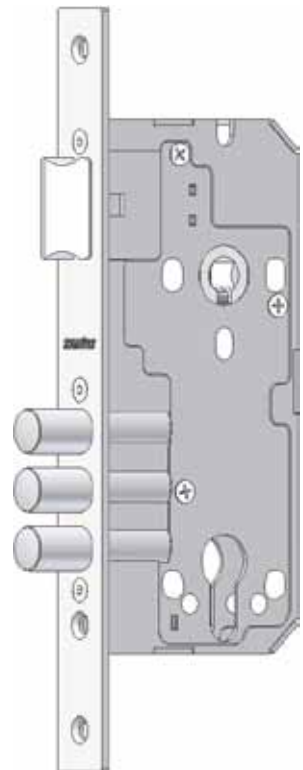
Euro cylinder roller bolt mortice sashlock

Features

The deadbolts and the latch are operated on both sides by cylinder.
The latch is reversible and operated on both sides by lever handle.

Options

- 6 Standard (Q); Drill protected case (X)
- 7 Backset in mm: 45 (J); 50 (L); 55 (M); 60 (O)
- 8 Deadbolt throw 21mm: single throw (2)
- 9 Latch: normal (N); silent (S)
- 11 Forend: square (E); rounded (K)
- 12 Forend and 985 V strike plate: SS 430 (I); SS 304 (J); brass (L)
- 13 Finish: satin (S)

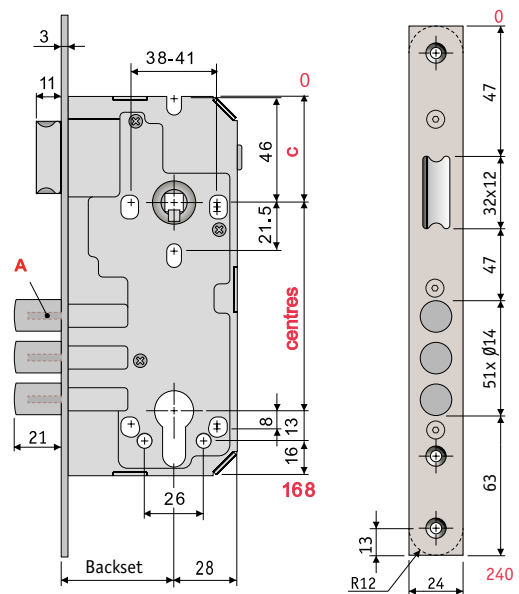


CASE 168 mm

centres mm	C mm	Ref
92	47	992 EQ
90	49	990 EQ
88	51	988 EQ

Code

1	2	3	4	5	6	7	8	9	10	11	12	13
F	9	9	2	E			2		R			S
F	9	9	0	E			2		R			S
F	9	8	8	E			2		R			S



A - saw protection

Series 712 EQ

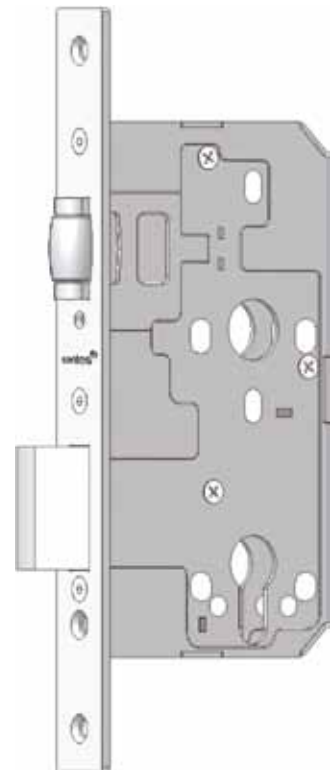
Euro cylinder roller bolt mortice sashlock

Features

The deadbolt is operated on both sides by cylinder.

The adjustable roller operates independently from cylinder.

This lock is also available with outline case sizes and cylinder cut position corresponding to series 768EQ, 770EQ, 785EQ, 788EQ, 790EQ and 792EQ sashlocks and respective backsets with exception of 45mm backset.



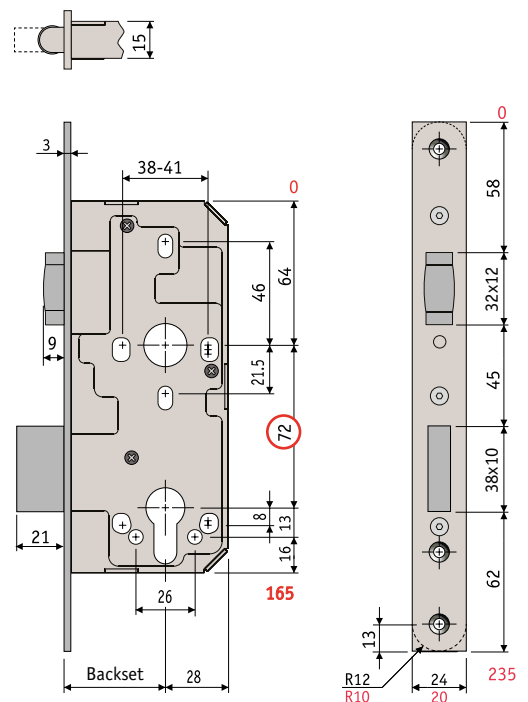
Options

- 7** Backset in mm: 50 (L); 55 (M); 60 (O); 65 (P); 70 (Q); 80 (T)
- 8** Deadbolt throw 21mm: single throw (1); double throw (2)
- 9** Latch: roller (R)
- 11** Forend in mm: square 24 (E) 20 (C); rounded 24 (K) 20 (I)
- 12** Forend and 712 R strike plate: SS 430 (I); SS 304 (J); brass (L)
- 13** Finish: satin (S)

CASE 165 mm

Code

1	2	3	4	5	6	7	8	9	10	11	12	13
F	7	1	2	E	Q			R	R			S

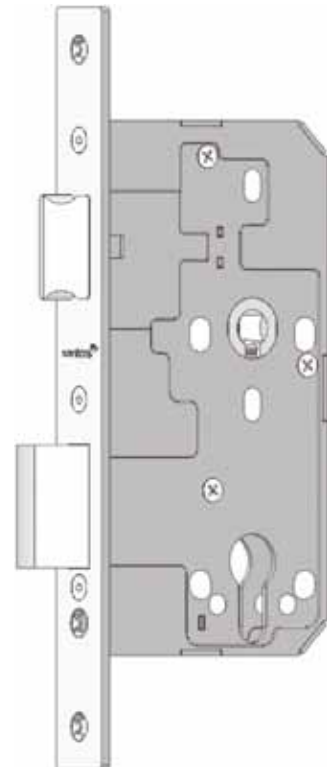


Series 771 EQ . 769 EQ . 767 EQ

Euro cylinder mortice sashlock for rebated doors

Features

The deadbolt and the latch are operated on both sides by cylinder.
 The latch is operated on both sides by lever handle.
 Forends with 18mm and 22mm width are also available.
 Other offsets available.



Options

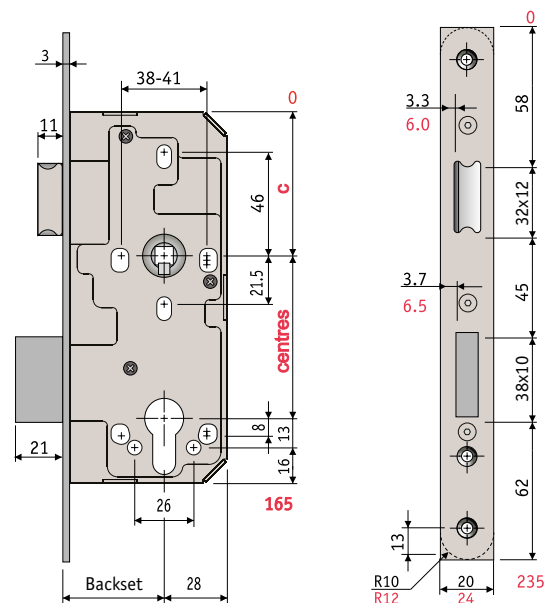
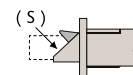
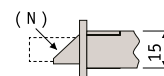
- 7 Backset in mm: 50 (L); 55 (M); 60 (O)
- 8 Deadbolt throw 21mm: single throw (1); double throw (2)
- 9 Latch: normal (N); silent (S)
- 10 Latch: right (D); left (E)
- 11 Forend in mm: square 20 (C) 24 (E); rounded 20 (I) 24 (K)
- 12 Forend and 770/771 R strike plate: SS 430 (I); SS 304 (J); brass (L)
- 13 Finish: satin (S)

CASE 165 mm

centres mm	C mm	Ref
72	64	771 EQ
70	66	769 EQ
68	68	767 EQ

Code

1	2	3	4	5	6	7	8	9	10	11	12	13
F	7	7	1	E	Q							S
F	7	6	9	E	Q							S
F	7	6	7	E	Q							S



Series 784 EQ

Euro cylinder mortice sashlock for rebated doors

Features

The deadbolt and the latch are operated on both sides by cylinder.
The latch is operated on both sides by lever handle.
Forends with 18mm and 22mm width are also available.
Other offsets available.

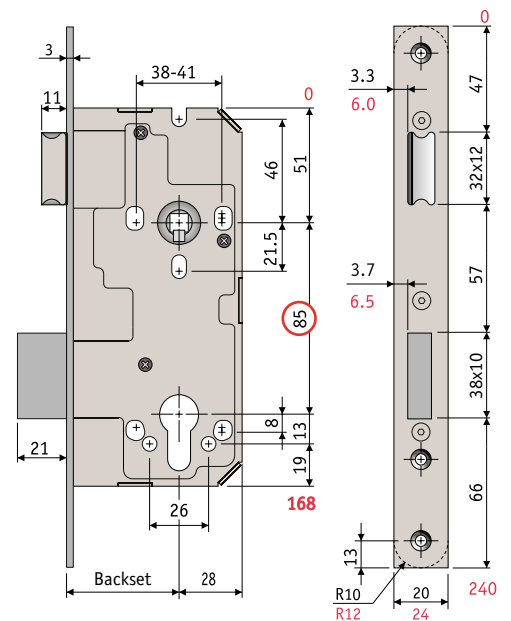
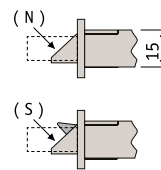
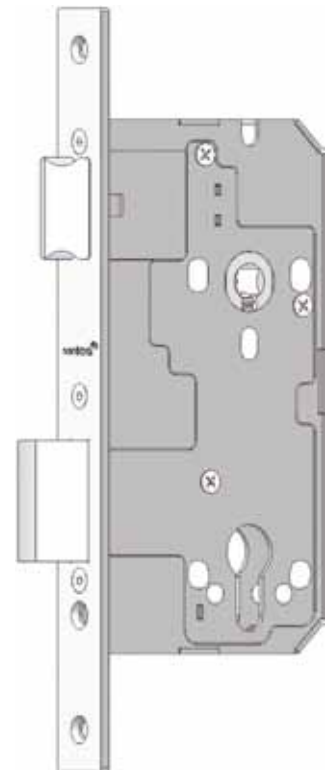
Options

- 7 Backset in mm: 50 (L); 55 (M); 60 (O)
- 8 Deadbolt throw 21mm: single throw (1); double throw (2)
- 9 Latch: normal (N); silent (S)
- 10 Latch: right (D); left (E)
- 11 Forend in mm: square 20 (C) 24 (E); rounded 20 (I) 24 (K)
- 12 Forend and 790/791 V strike plate: SS 430 (I); SS 304 (J); brass (L)
- 13 Finish: satin (S)

CASE 168 mm

Code

1	2	3	4	5	6	7	8	9	10	11	12	13
F	7	8	4	E	Q							S



Series 791 EQ . 789 EQ . 787 EQ

Euro cylinder mortice sashlock for rebated doors

Features

The deadbolt and the latch are operated on both sides by cylinder.
 The latch is operated on both sides by lever handle.
 Forends with 18mm and 22mm width are also available.
 Other offsets available.

Options

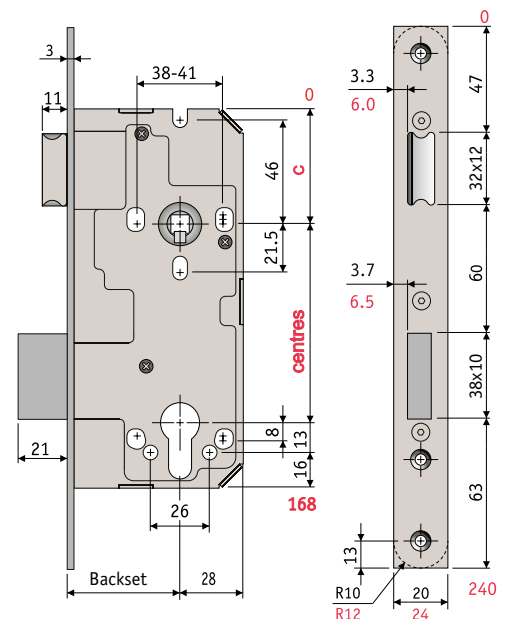
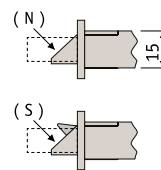
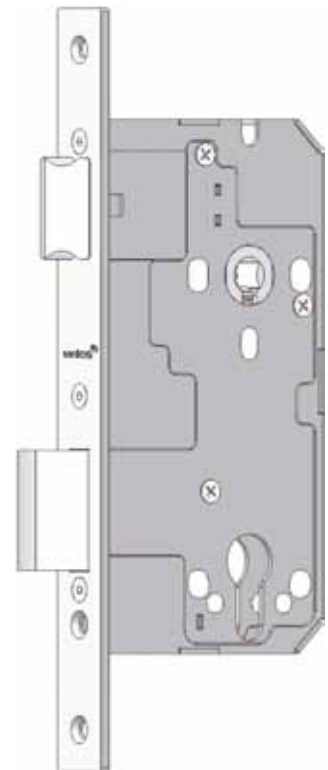
- 7** Backset in mm: 50 (L); 55 (M); 60 (O)
- 8** Deadbolt throw 21mm: single throw (1); double throw (2)
- 9** Latch: normal (N); silent (S)
- 10** Latch: right (D); left (E)
- 11** Forend in mm: square 20 (C) 24 (E); rounded 20 (I) 24 (K)
- 12** Forend and 790/791 V strike plate: SS 430 (I); SS 304 (J); brass (L)
- 13** Finish: satin (S)

CASE 168 mm

centres mm	C mm	Ref
92	47	791 EQ
90	49	789 EQ
88	51	787 EQ

Code

1	2	3	4	5	6	7	8	9	10	11	12	13
F	7	9	1	E	Q							S
F	7	8	9	E	Q							S
F	7	8	7	E	Q							S

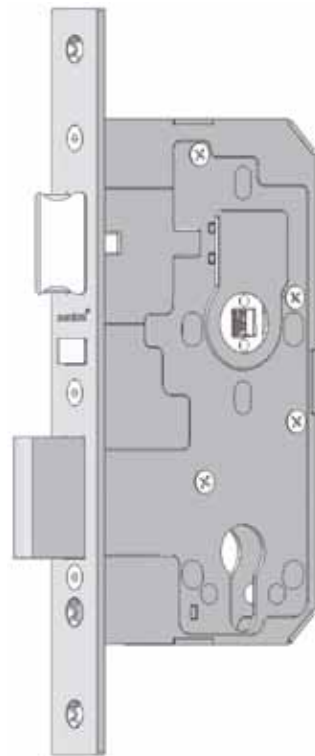


Series 672 EQ

Euro cylinder escape mortice sashlock

Features

The reversible latch and the deadbolt are operated on both sides by cylinder.
 The latch and the deadbolt are operated on the inside by lever handle.
 Standard follower.
 Lever handle to be fitted on the inside only.
 Anti-thrust feature.



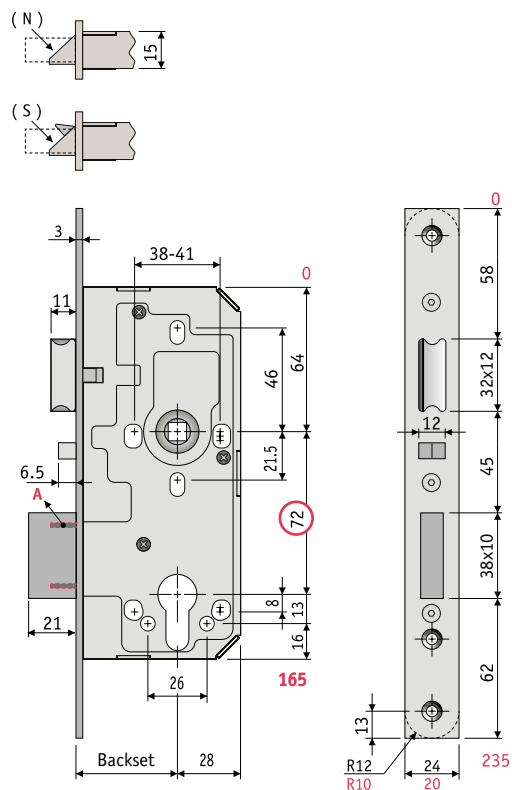
Options

- 7 Backset in mm: 55 (M); 60 (O)
- 8 Deadbolt throw 21mm: single throw (1)
- 9 Latch: normal (N); silent (S)
- 11 Forend in mm: square 24 (E) 20 (C); rounded 24 (K) 20 (I)
- 12 Forend and 672 R strike plate: SS 430 (I); SS 304 (J); brass (L)
- 13 Finish: satin (S)

CASE 165 mm

Code

1	2	3	4	5	6	7	8	9	10	11	12	13
F	6	7	2	E	Q		1		R			S



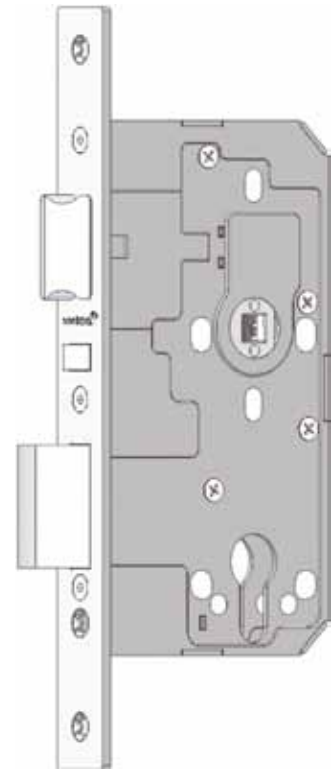
A - saw protection

Series 673 EQ

Euro cylinder escape mortice sashlock

Features

The reversible latch and the deadbolt are operated on both sides by cylinder.
 The latch and the deadbolt are operated on the inside by lever handle.
 The latch is operated on the outside by lever handle.
 Reversible escape feature. Split follower.
 Anti-thrust feature.



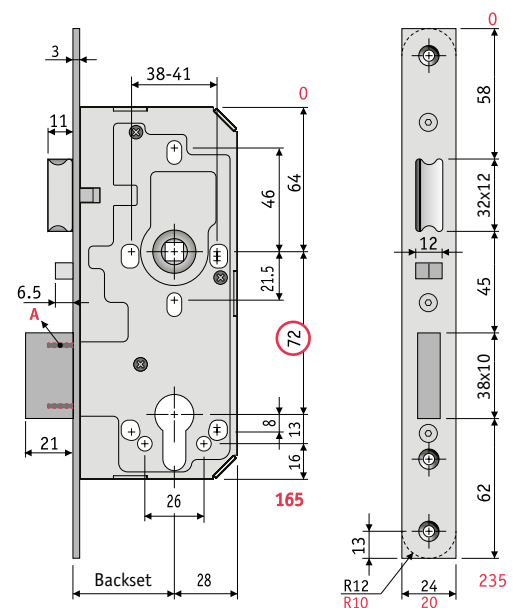
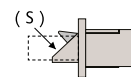
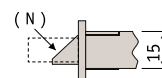
Options

- 7 Backset in mm: 55 (M); 60 (O)
- 8 Deadbolt throw 21mm: single throw (1)
- 9 Latch: normal (N); silent (S)
- 11 Forend in mm: square 24 (E) 20 (C); rounded 24 (K) 20 (I)
- 12 Forend and 672 R strike plate: SS 430 (I); SS 304 (J); brass (L)
- 13 Finish: satin (S)

CASE 165 mm

Code

1	2	3	4	5	6	7	8	9	10	11	12	13
F	6	7	3	E	Q		1		R			S



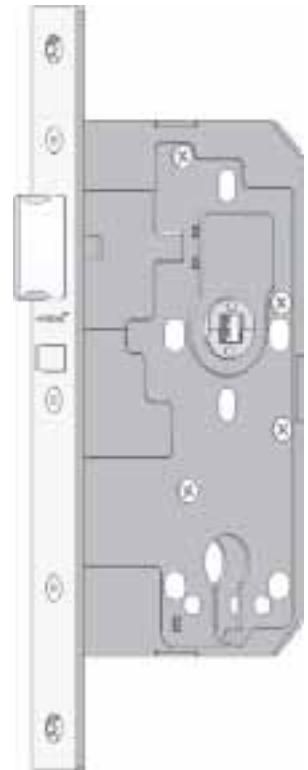
A - saw protection

Series 602 EQ

Upright mortice anti-thrust latch

Features

The reversible latch is operated on both sides by lever handle.
Anti-thrust feature.



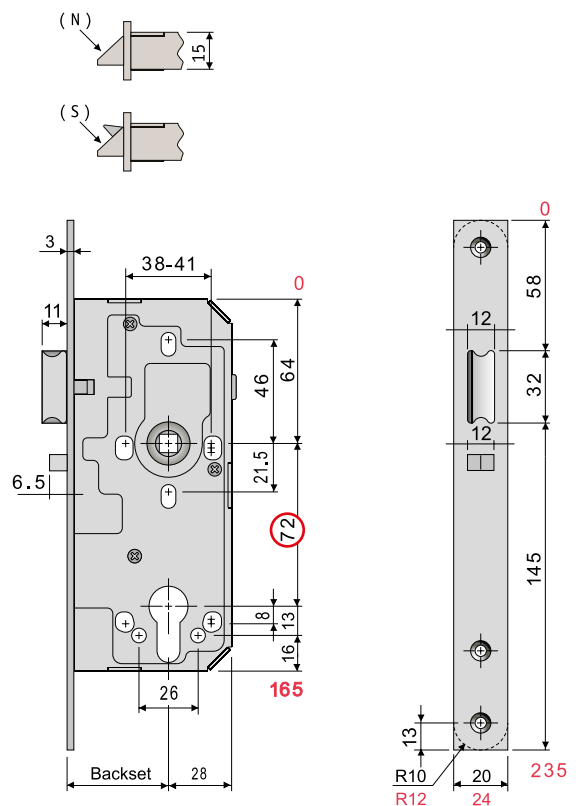
Options

- 7 Backset in mm: 55 (M); 60 (O)
- 9 Latch: normal (N); silent (S)
- 11 Forend in mm: square 24 (E) 20 (C); rounded 24 (K) 20 (I)
- 12 Forend and 602 I strike plate: SS 430 (I); SS 304 (J); brass (L)
- 13 Finish: satin (S)

CASE 165 mm

Code

1	2	3	4	5	6	7	8	9	10	11	12	13
F	6	0	2	E	Q		O		R			S



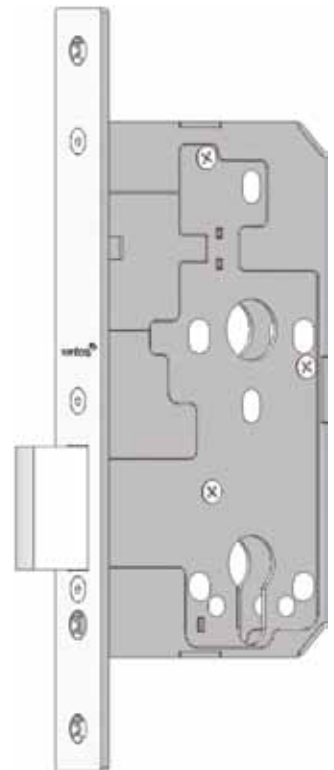
A - saw protection

Series 701 EQ

Euro cylinder mortice deadlock

Features

The deadbolt is operated on both sides by cylinder.
 This deadlock is also available with outline case sizes and cylinder cut position corresponding to series 768EQ, 770EQ, 785EQ, 788EQ, 790EQ and 792EQ sashlocks and respective backsets.



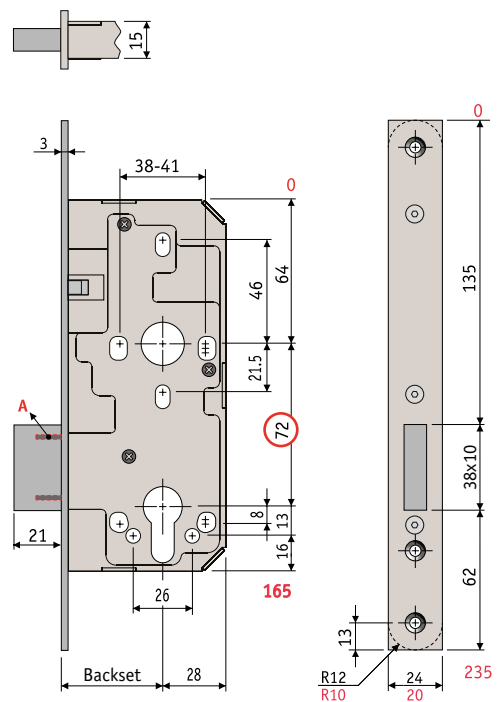
Options

- 6 Standard (Q); Drill protected case (X)
- 7 Backset in mm: 45 (J); 50 (L); 55 (M); 60 (O); 65 (P); 70 (Q); 80 (T)
- 8 Deadbolt throw 21mm: single throw (1); double throw (2)
- 11 Forend in mm: square 24 (E) 20 (C); rounded 24 (K) 20 (I)
- 12 Forend and 701 K strike plate: SS 430 (I); SS 304 (J); brass (L)
- 13 Finish: satin (S)

CASE 165 mm

Code

1	2	3	4	5	6	7	8	9	10	11	12	13
F	7	0	1	E				L	R			S



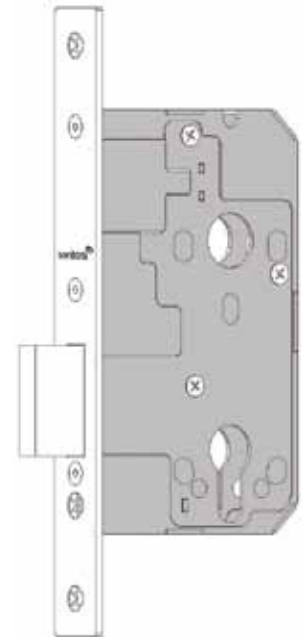
A - saw protection

Series 701 EO

Euro cylinder mortice deadlock

Features

The deadbolt is operated on both sides by cylinder.



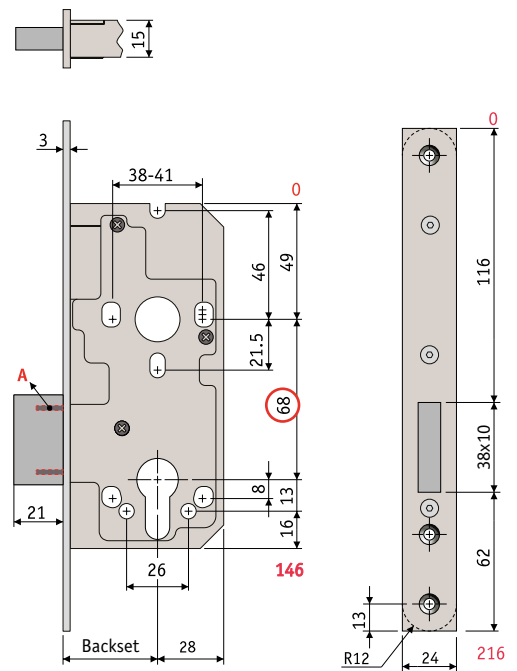
Options

- 6 Standard (0); Drill protected case (V)
- 7 Backset in mm: 50 (L); 60 (0)
- 8 Deadbolt throw 21mm: single throw (1); double throw (2)
- 11 Forend: square (E); rounded (K)
- 12 Forend and 701 K strike plate: SS 430 (I); SS 304 (J); brass (L)
- 13 Finish: satin (S)

CASE 146 mm

Code

1	2	3	4	5	6	7	8	9	10	11	12	13
F	7	0	1	E				N	R			S



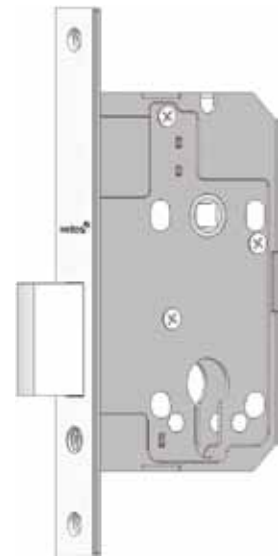
A - saw protection

Series 701 EM

Euro cylinder mortice deadlock

Features

The deadbolt is operated on both sides by cylinder.



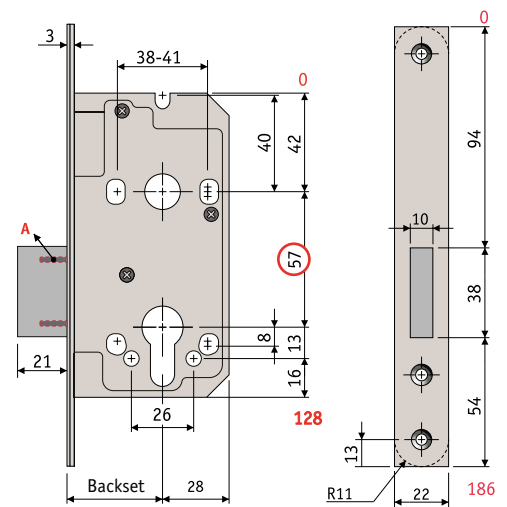
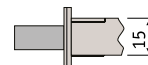
Options

- 6 Standard (M); Drill protected case (U)
- 7 Backset in mm: 50 (L); 60 (O)
- 8 Deadbolt throw 21mm: single throw (1)
- 11 Forend: square (D); rounded (J)
- 12 Face plate and 701 K strike plate: SS 430 (I); SS 304 (J); brass (L)
- 13 Finish: satin (S)

CASE 128 mm

Code

1	2	3	4	5	6	7	8	9	10	11	12	13
F	7	0	1	E			1	L	R			S



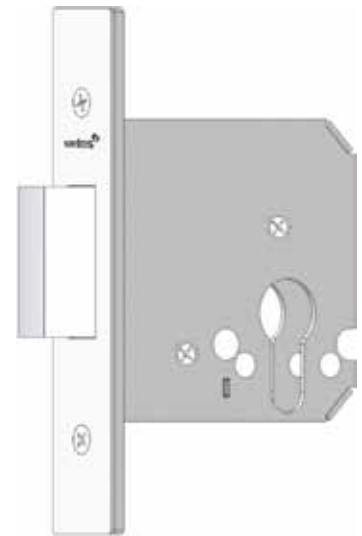
A - saw protection

Series 701 EG

Euro cylinder mortice deadlock

Features

The deadbolt is operated on both sides by cylinder.



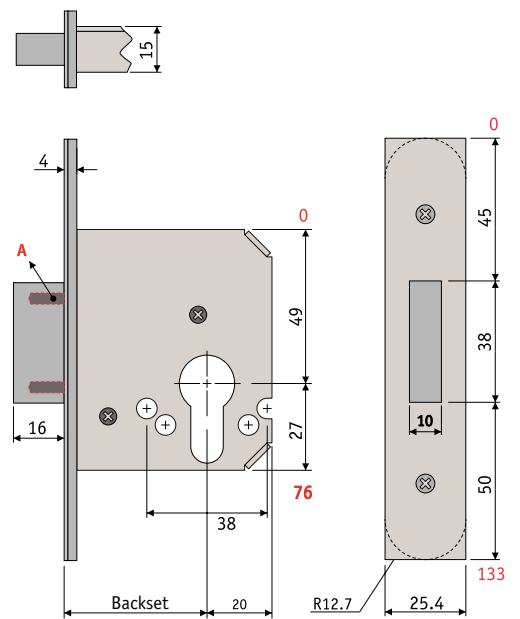
Options

- 6 Standard (G); Drill protected case (S)
- 7 Backset in mm: 45 (J); 58 (O)
- 11 Forend: square (F); rounded (L)
- 12 Face plate and 700 NF strike plate: SS 430 (I); SS 304 (J); brass (L)
- 13 Finish: satin (S)

CASE 76 mm

Code

1	2	3	4	5	6	7	8	9	10	11	12	13
F	7	0	1	E			1	L	R			S



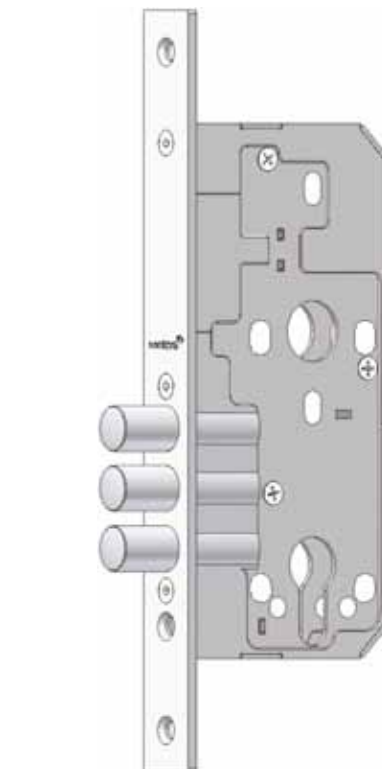
A - saw protection

Series 901 EQ

Euro cylinder three deadbolts mortice deadlock

Features

The deadbolts are operated on both sides by cylinder.
 This deadlock is also available with outline case sizes and cylinder cut position corresponding to series 985EQ, 988EQ, 990EQ and 992EQ sashlocks and respective backsets.



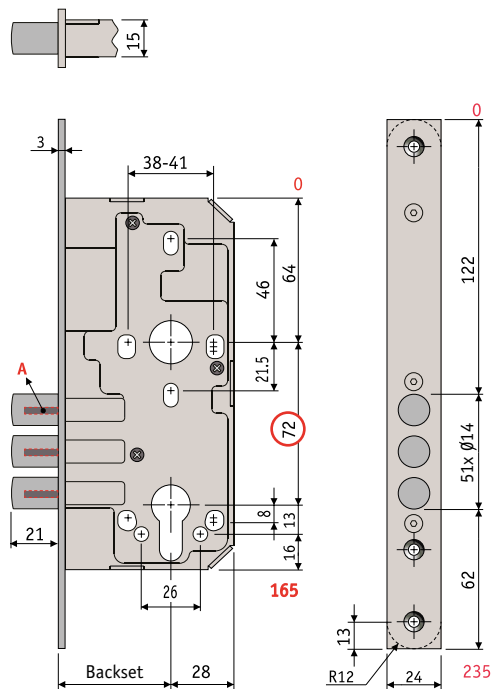
Options

- 6 Standard (Q); Drill protected case (X)
- 7 Backset in mm: 45 (J); 50 (L); 55 (M); 60 (O); 65 (P); 70 (Q); 80 (T)
- 8 Deadbolts throw 21mm: double throw (2)
- 11 Forend: square (E); rounded (K)
- 12 Forend and 901 L strike plate: SS 430 (I); SS 304 (J); brass (L)
- 13 Finish: satin (S)

CASE 165 mm

Code

1	2	3	4	5	6	7	8	9	10	11	12	13
F	9	0	1	E			2	L	R			S



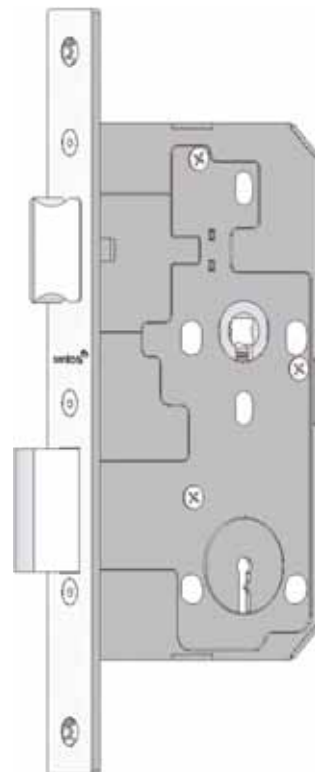
A - saw protection

Series 772 TQ . 770 TQ . 768 TQ

3 Lever mortice sashlock

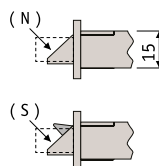
Features

The deadbolt is operated on both sides by lever key (1 supplied).
The latch is reversible and operated on both sides by lever handle.



Options

- 7 Backset in mm: 50 (L); 55 (M); 60 (O)
- 9 Latch: normal (N); silent (S)
- 11 Forend in mm: square 24 (E) 20 (C); rounded 24 (K) 20 (I)
- 12 Forend and 772 R strike plate: SS 430 (I); SS 304 (J); brass (L)
- 13 Finish: satin (S)

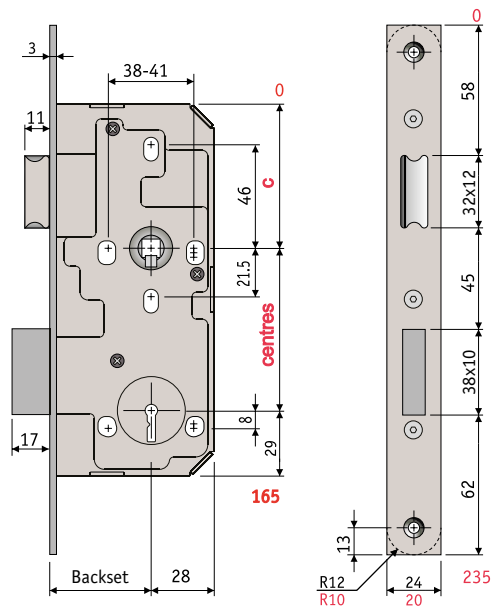


CASE 165 mm

centres mm	C mm	Ref
72	64	772 TQ
70	66	770 TQ
68	68	768 TQ

Code

1	2	3	4	5	6	7	8	9	10	11	12	13
F	7	7	2	T	Q		1		R			S
F	7	7	0	T	Q		1		R			S
F	7	6	8	T	Q		1		R			S

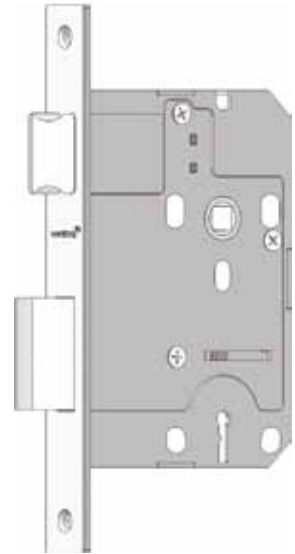


Series 772 TM . 770 TM . 768 TM

3 Lever mortice sashlock

Features

The deadbolt is operated on both sides by lever key (1 supplied).
The latch is reversible and operated on both sides by lever handle.



Options

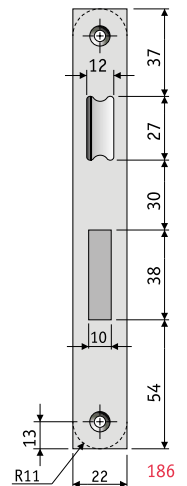
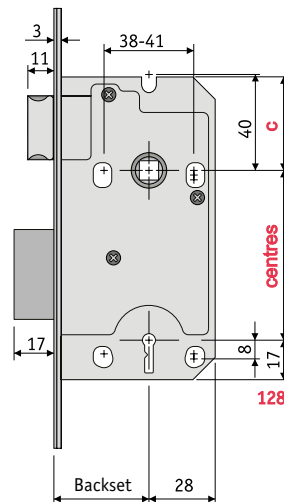
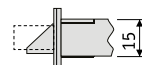
- 7** Backset in mm: 50 (L); 60 (O)
- 11** Forend: square (D); rounded (J)
- 12** Face plate and 755 R/ 755 P strike plate: SS 430 (I); SS 304 (J); brass (L)
- 13** Finish: satin (S)

CASE 128 mm

centres mm	C mm	Ref
72	39	772 TM
70	41	770 TM
68	43	768 TM

Code

1	2	3	4	5	6	7	8	9	10	11	12	13
F	7	7	2	T	M		1	N	R			S
F	7	7	0	T	M		1	N	R			S
F	7	6	8	T	M		1	N	R			S

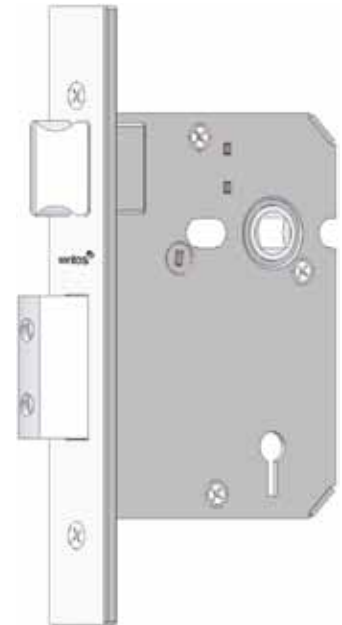


Series 758 TK

3 Lever heavy duty mortice sashlock

Features

The deadbolt is operated on both sides by lever key (2 supplied).
The reversible latch is operated on both sides by lever handle.
96 key differs.



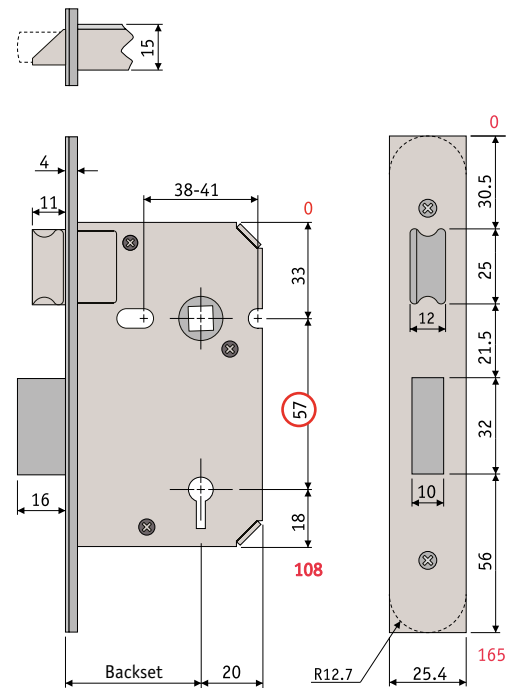
Options

- 7 Backset in mm: 45 (J); 58 (O)
- 11 Forend: square (F); rounded (L)
- 12 Face plate and 748 SF strike plate: SS 430 (I); SS 304 (J); brass (L)
- 13 Finish: satin (S)

CASE 108 mm

Code

1	2	3	4	5	6	7	8	9	10	11	12	13
F	7	5	8	T	K		1	N	R			S

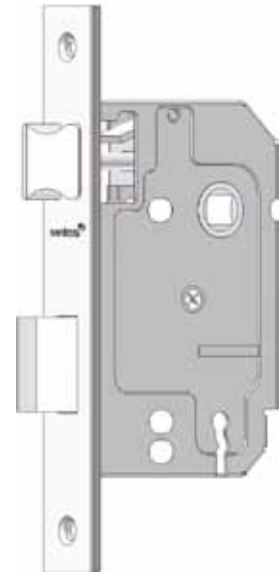


Series 757 TJ

3 Lever mortice sashlock

Features

The deadbolt is operated on both sides by lever key (2 supplied).
 The latch is operated on both sides by lever handle.
 96 key differs.



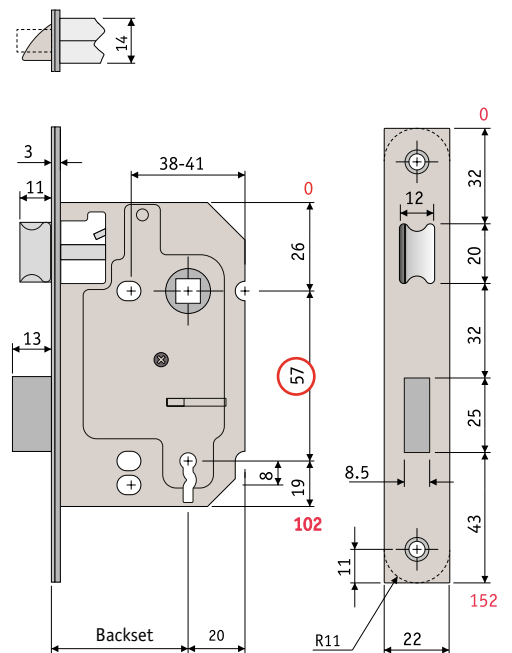
Options

- 7 Backset in mm: 45 (J); 58 (0)
- 11 Forend: square (D); rounded (J)
- 12 Face plate and 757 K strike plate: SS 430 (I); SS 304 (J); brass (L)
- 13 Finish: satin (S)

CASE 102 mm

Code

1	2	3	4	5	6	7	8	9	10	11	12	13
F	7	5	7	T	J		1	N	R			S



Series 757 FK

5 Lever mortice sashlock

Features

The deadbolt is operated on both sides by lever key (2 supplied).
 The reversible latch is operated on both sides by lever handle.
 Levers cartridge with pick resistant device.
 Levers cartridge easy removal for KA purpose.
 1000 key differs.

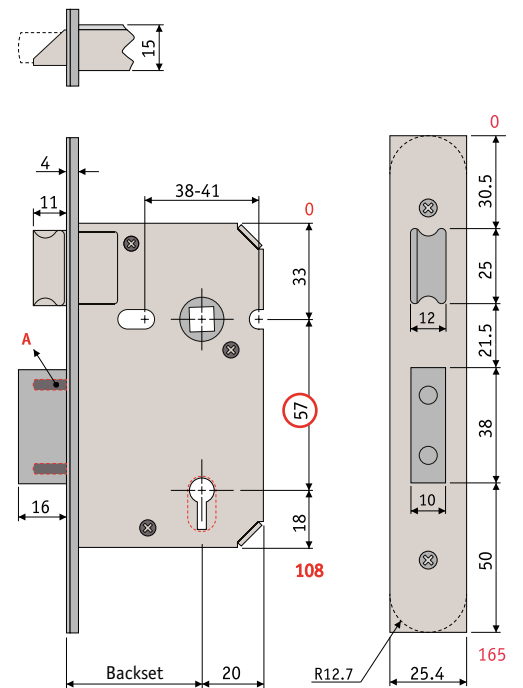
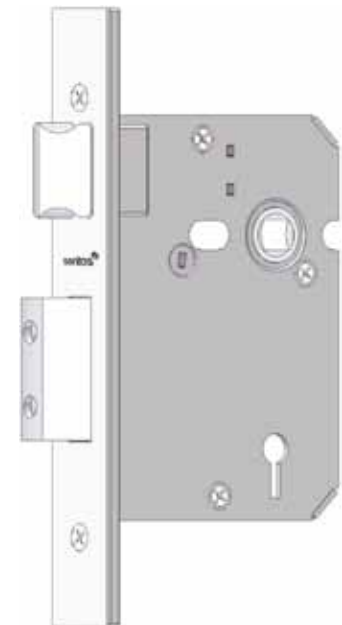
Options

- 6 Standard (K); Drill protected case (T)
- 7 Backset in mm: 45 (J); 58 (O)
- 11 Forend: square (F); rounded (L)
- 12 Face plate and 748 SF strike plate: SS 430 (I); SS 304 (J); brass (L)
- 13 Finish: satin (S)

CASE 108 mm

Code

1	2	3	4	5	6	7	8	9	10	11	12	13
F	7	5	7	F			1	N	R			S



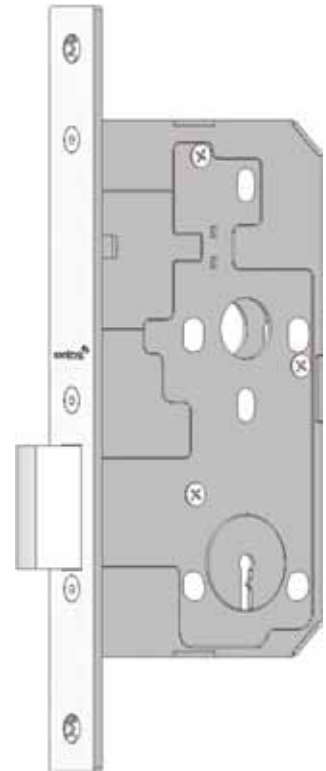
A - saw protection

Series 701 TQ

3 Lever mortice deadlock

Features

The deadbolt is operated on both sides by lever key (1 supplied).



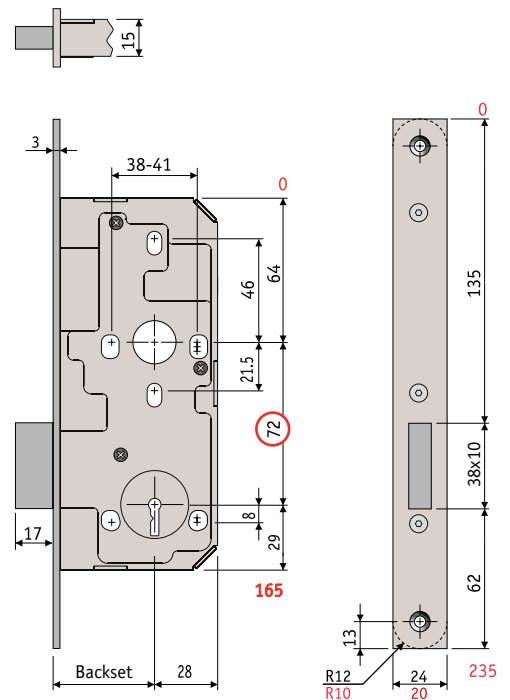
Options

- 7 Backset in mm: 50 (L); 55 (M); 60 (O)
- 11 Forend in mm: square 24 (E) 20 (C); rounded 24 (K) 20 (I)
- 12 Forend and 701 K strike plate: SS 430 (I); SS 304 (J); brass (L)
- 13 Finish: satin (S)

CASE 165 mm

Code

1	2	3	4	5	6	7	8	9	10	11	12	13
F	7	0	1	T	Q		1	L	R			S

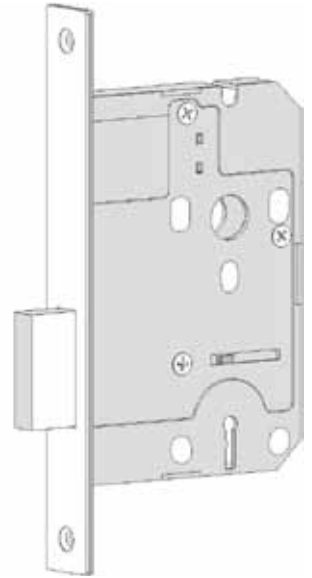


Series 701 TM

3 Lever mortice deadlock

Features

The deadbolt is operated on both sides by lever key (2 supplied).
96 key differs.



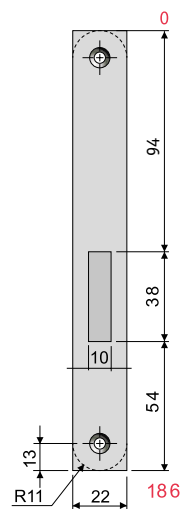
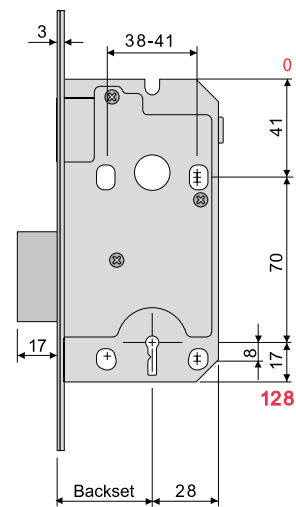
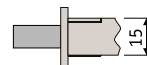
Options

- 7 Backset in mm: 50 (L); 60 (0)
- 11 Forend: square (D); rounded (J)
- 12 Face plate and 701 K strike plate: SS 430 (I); SS 304 (J); brass (L)
- 13 Finish: satin (S)

CASE 128 mm

Code

1	2	3	4	5	6	7	8	9	10	11	12	13
F	7	0	1	T	M		1	L	R			S



Series 701 TJ

3 Lever mortice deadlock

Features

The deadbolt is operated on both sides by lever key (2 supplied).
96 key differs.

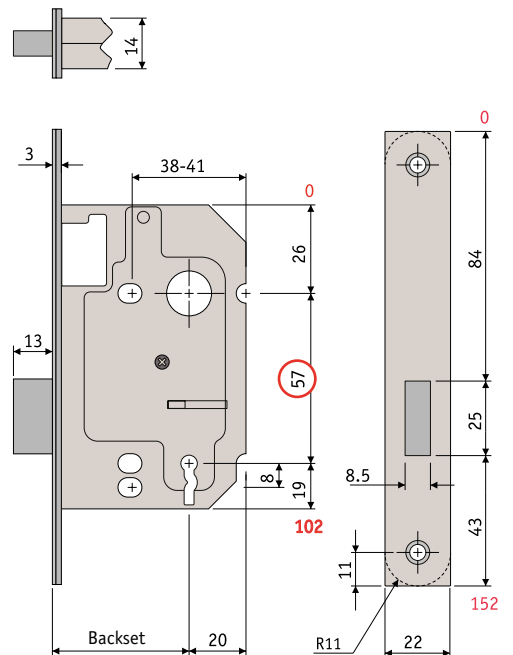
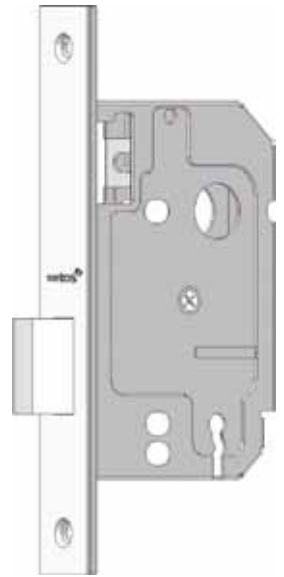
Options

- 7 Backset in mm: 45 (J); 58 (O)
- 11 Forend: square (D); rounded (J)
- 12 Face plate and 701 F strike plate: SS 430 (I); SS 304 (J); brass (L)
- 13 Finish: satin (S)

CASE 102 mm

Code

1	2	3	4	5	6	7	8	9	10	11	12	13
F	7	0	1	T	J		1	L	R			S

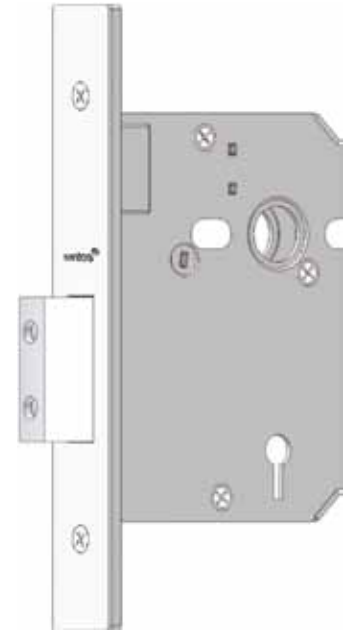


Series 701 FK

5 Lever mortice deadlock

Features

The deadbolt is operated on both sides by lever key (2 supplied).
 Levers cartridge with pick resistant device.
 Levers cartridge easy removal for KA purpose.
 1000 key differs.



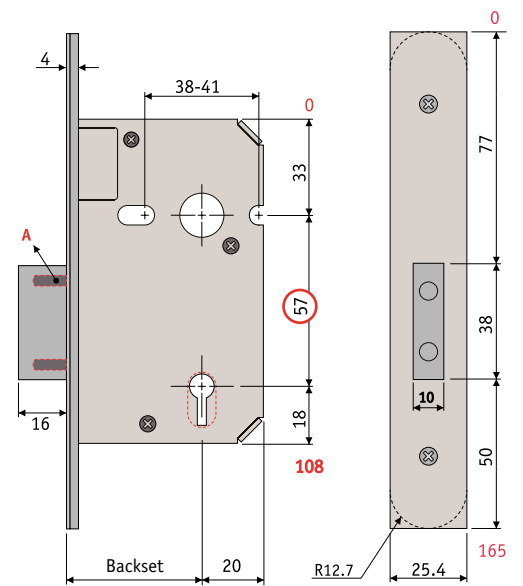
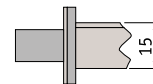
Options

- 6 Standard (K); Drill protected case (T)
- 7 Backset in mm: 45 (J); 58 (O)
- 11 Forend: square (F); rounded (L)
- 12 Face plate and 700 NF strike plate: SS 430 (I); SS 304 (J); brass (L)
- 13 Finish: satin (S)

CASE 108 mm

Code

1	2	3	4	5	6	7	8	9	10	11	12	13
F	7	0	1	F			1	L	R			S



A - saw protection

Series 701 FG

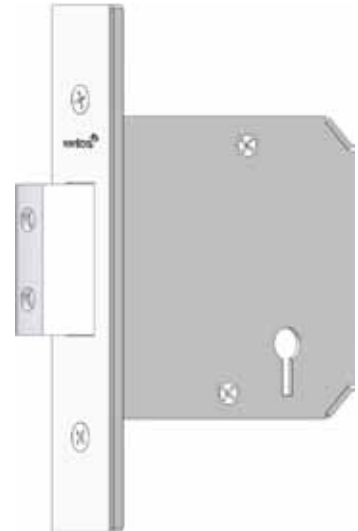
5 Lever mortice deadlock

Features

The deadbolt is operated on both sides by lever key (2 supplied).
 Levers cartridge with pick resistant device.
 Levers cartridge easy removal for KA purpose.
 1000 key differs.

Options

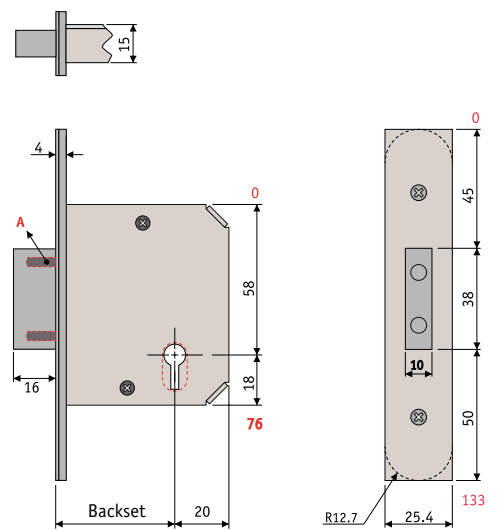
- 6 Standard (G); Drill protected case (S)
- 7 Backset in mm: 45 (J); 58 (O)
- 11 Forend: square (F); rounded (L)
- 12 Face plate and 700 NF strike plate: SS 430 (I); SS 304 (J); brass (L)
- 13 Finish: satin (S)



CASE 76 mm

Code

1	2	3	4	5	6	7	8	9	10	11	12	13
F	7	0	1	F			1	L	R			S



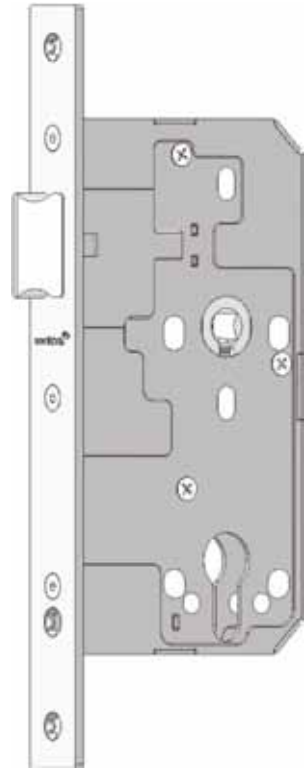
A - saw protection

Series 772 EZ . 770 EZ . 768 EZ

Euro cylinder upright mortice night latch

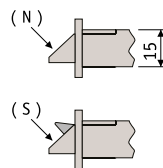
Features

The reversible latch is operated on both sides by lever handle and by cylinder. Lever handle to be fitted on the inside only.



Options

- 7** Backset in mm: 45 (J); 50 (L); 55 (M); 60 (O); 65 (P); 70 (Q); 80 (T)
- 9** Latch: normal (N); silent (S)
- 11** Forend in mm: square 24 (E) 20 (C); rounded 24 (K) 20 (I)
- 12** Forend and 702 I strike plate: SS 430 (I); SS 304 (J); brass (L)
- 13** Finish: satin (S)

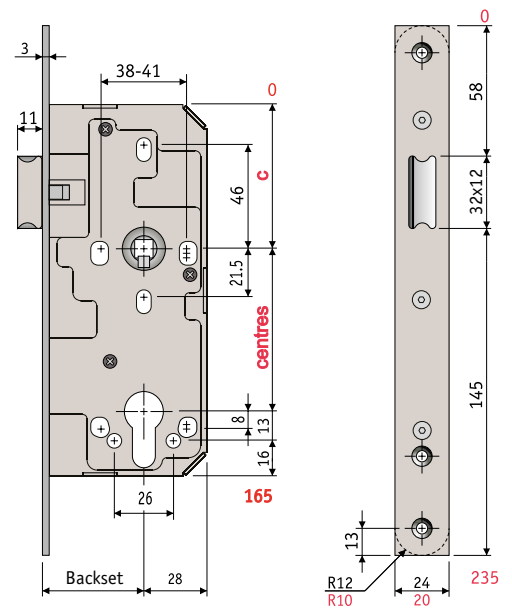


CASE 165 mm

centres mm	C mm	Ref
72	64	772 EZ
70	66	770 EZ
68	68	768 EZ

Code

1	2	3	4	5	6	7	8	9	10	11	12	13
F	7	7	2	E	Z		O		R			S
F	7	7	0	E	Z		O		R			S
F	7	6	8	E	Z		O		R			S

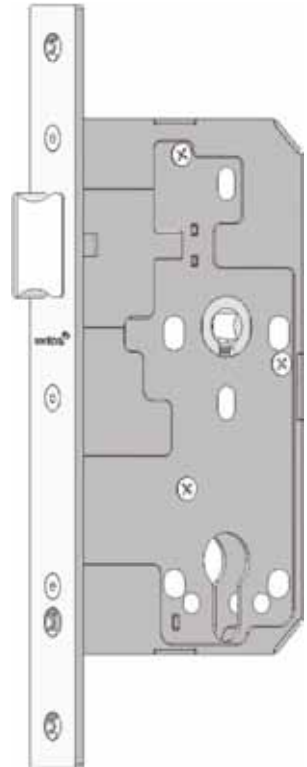


Series 785 EZ

Euro cylinder upright mortice night latch

Features

The reversible latch is operated on both sides by lever handle and by cylinder. Lever handle to be fitted on the inside only.



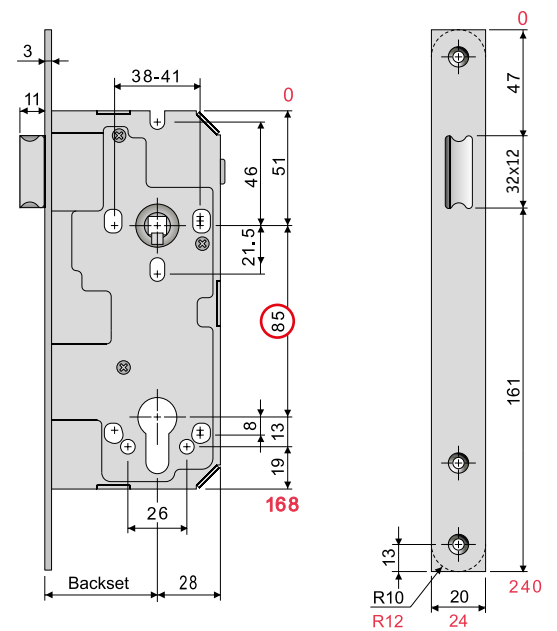
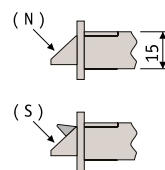
Options

- 7 Backset in mm: 45 (J); 50 (L); 55 (M); 60 (O); 65 (P); 70 (Q); 80 (T)
- 9 Latch: normal (N); silent (S)
- 11 Forend in mm: square 24 (E) 20 (C); rounded 24 (K) 20 (I)
- 12 Forend and 702 I strike plate: SS 430 (I); SS 304 (J); brass (L)
- 13 Finish: satin (S)

CASE 168 mm

Code

1	2	3	4	5	6	7	8	9	10	11	12	13
F	7	8	5	E	Z		0		R			S

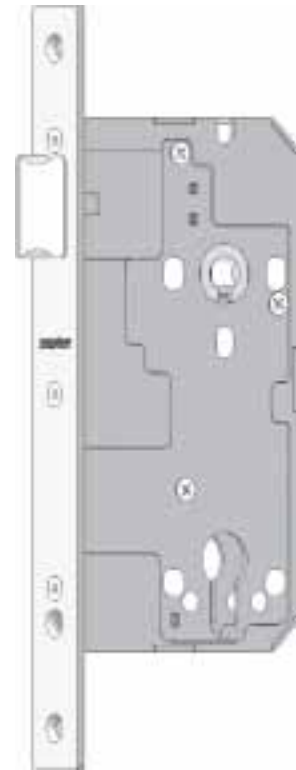


Series 792 EZ . 790 EZ . 788 EZ

Euro cylinder upright mortice night latch

Features

The reversible latch is operated on both sides by lever handle and by cylinder. Lever handle to be fitted on the inside only.



Options

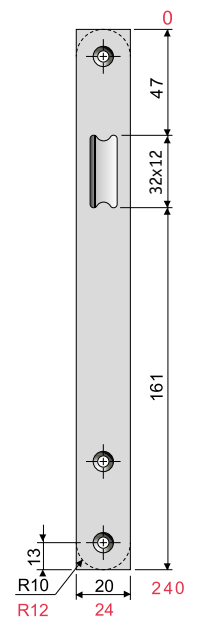
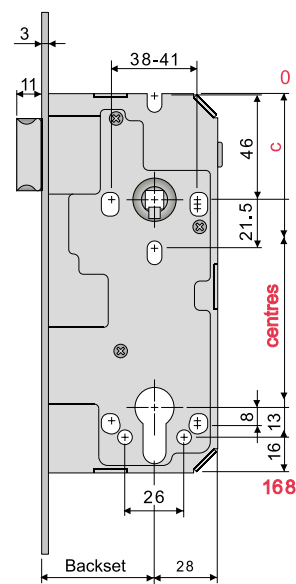
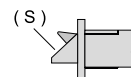
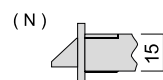
- 7** Backset in mm: 45 (J); 50 (L); 55 (M); 60 (O); 65 (P); 70 (Q); 80 (T)
- 9** Latch: normal (N); silent (S)
- 11** Forend in mm: square 24 (E) 20 (C); rounded 24 (K) 20 (I)
- 12** Forend and 702 I strike plate: SS 430 (I); SS 304 (J); brass (L)
- 13** Finish: satin (S)

CASE 168 mm

centres mm	C mm	Ref
92	47	792 EZ
90	49	790 EZ
88	51	788 EZ

Code

1	2	3	4	5	6	7	8	9	10	11	12	13
F	7	9	2	E	Z		O		R			S
F	7	9	0	E	Z		O		R			S
F	7	8	8	E	Z		O		R			S



Series 755 EZ . 757 EZ . 760 EZ

Euro cylinder mortice night latch

Features

The reversible latch is operated on both sides by lever handle and by cylinder. Lever handle to be fitted on the inside only.



Options

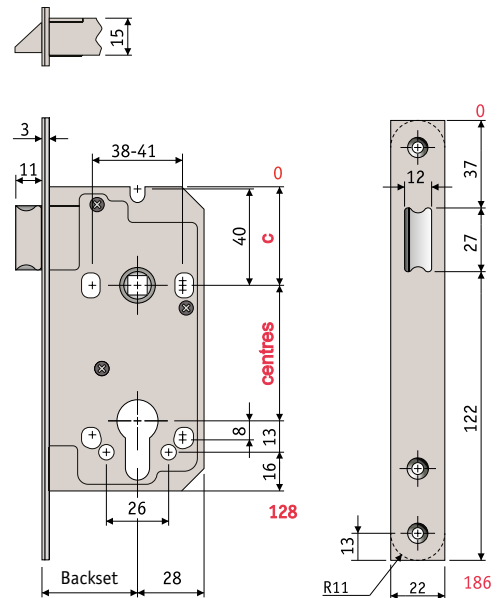
- 7** Backset in mm: 50 (L); 60 (O)
- 11** Forend: square (D); rounded (J)
- 12** Face plate and 702 I strike plate: SS 430 (I); SS 304 (J); brass (L)
- 13** Finish: satin (S)

CASE 128 mm

centres mm	C mm	Ref
55	44	755 EZ
57	42	757 EZ
60	39	760 EZ

Code

1	2	3	4	5	6	7	8	9	10	11	12	13
F	7	5	5	E	Z		O	N	R			S
F	7	5	7	E	Z		O	N	R			S
F	7	6	0	E	Z		O	N	R			S

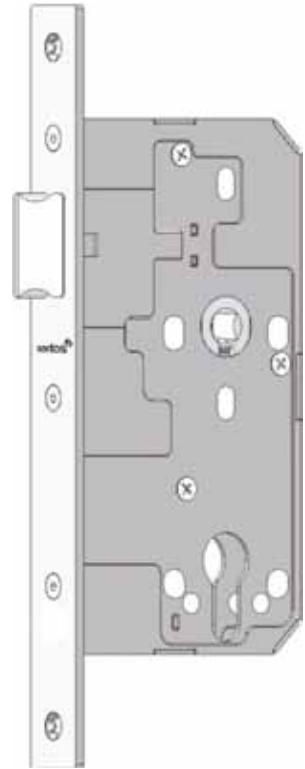


Series 702 PQ

Upright mortice latch

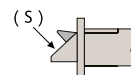
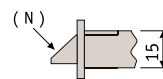
Features

The latch is reversible and operated on both sides by lever handle. This latch is also available with outline case sizes corresponding to series 768EQ, 770EQ, 785EQ, 788EQ, 790EQ e 792EQ sashlocks and respective backsets.



Options

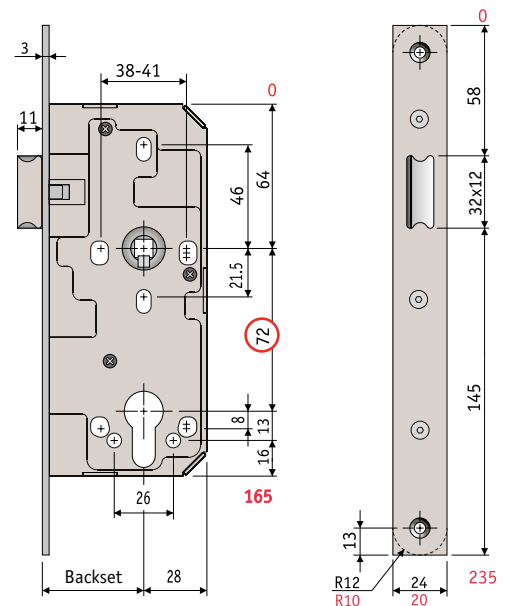
- 7** Backset in mm: 45 (J); 50 (L); 55 (M); 60 (O); 65 (P); 70 (Q); 80 (T)
- 9** Latch: normal (N); silent (S)
- 11** Forend in mm: square 24 (E) 20 (C); rounded 24 (K) 20 (I)
- 12** Forend and 702 I strike plate: SS 430 (I); SS 304 (J); brass (L)
- 13** Finish: satin (S)



CASE 165 mm

Code

1	2	3	4	5	6	7	8	9	10	11	12	13
F	7	0	2	P	Q		O		R			S

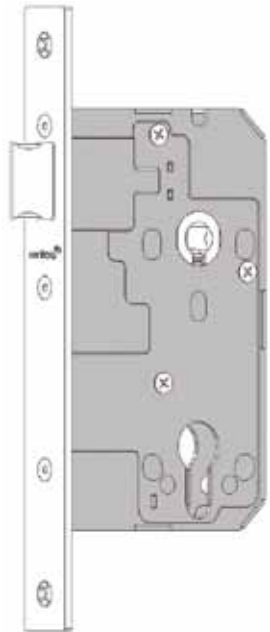


Series 702 PO

Upright mortice latch

Features

The latch is reversible and operated on both sides by lever handle.
This latch is also available with outline case sizes corresponding to series 770E0 e 772E0 sashlocks and respective backsets.



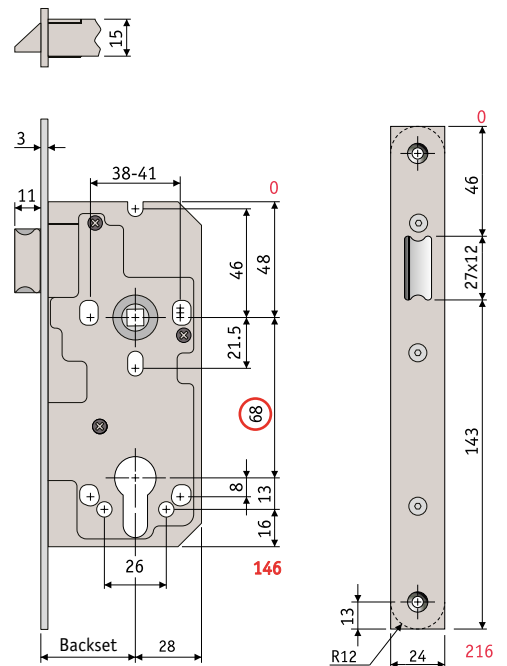
Options

- 7** Backset in mm: 50 (L); 60 (O)
- 11** Forend: square (E); rounded (K)
- 12** Face plate and 702 I strike plate: SS 430 (I); SS 304 (J); brass (L)
- 13** Finish: satin (S)

CASE 146 mm

Code

1	2	3	4	5	6	7	8	9	10	11	12	13
F	7	0	2	P	0		O	N	R			S

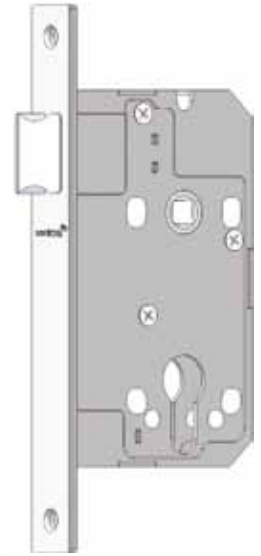


Series 702 PM

Upright mortice latch

Features

The latch is reversible and operated on both sides by lever handle.
This latch is also available with sizes corresponding to series 755EM and 757EM.



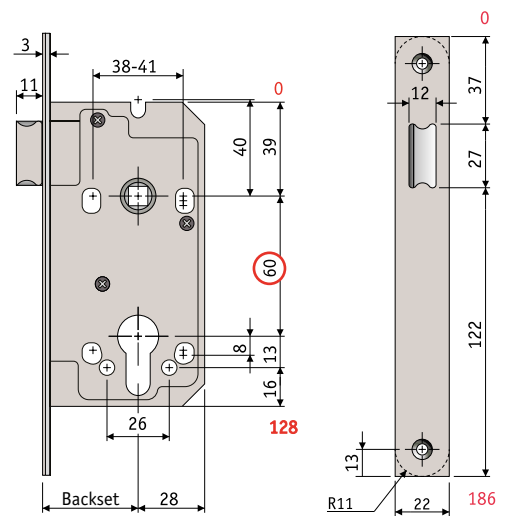
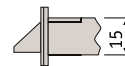
Options

- 7** Backset in mm: 50 (L); 60 (0)
- 11** Forend: square (D); rounded (J)
- 12** Face plate and 702 I strike plate: SS 430 (I); SS 304 (J); brass (L)
- 13** Finish: satin (S)

CASE 128 mm

Code

1	2	3	4	5	6	7	8	9	10	11	12	13
F	7	0	2	P	M		0	N	R			S

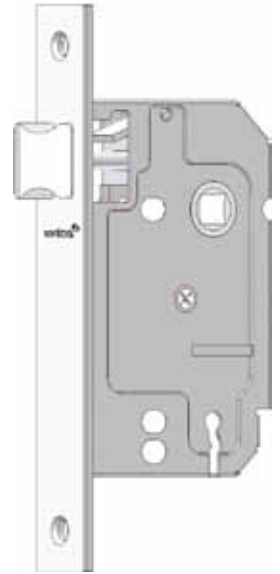


Series 702 PJ

Upright mortice latch

Features

The latch is operated on both sides by lever handle.



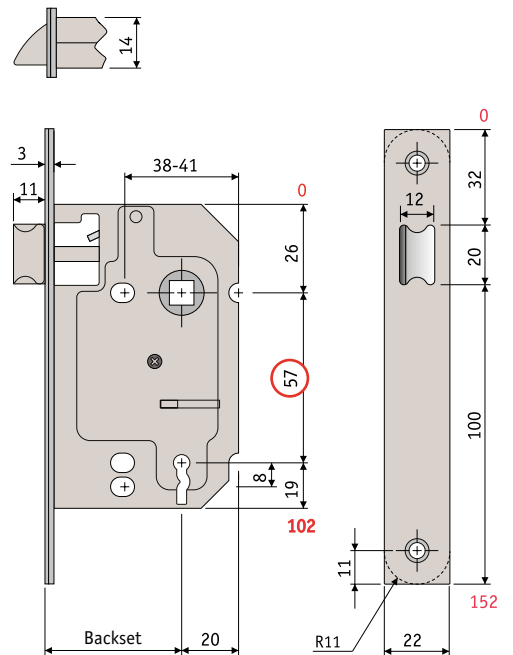
Options

- 7** Backset in mm: 45 (J); 58 (O)
- 11** Forend: square (D); rounded (J)
- 12** Face plate and 702 E strike plate: SS 430 (I); SS 304 (J); brass (L)
- 13** Finish: satin (S)

CASE 102 mm

Code

1	2	3	4	5	6	7	8	9	10	11	12	13
F	7	0	2	P	J		O	N	R			S



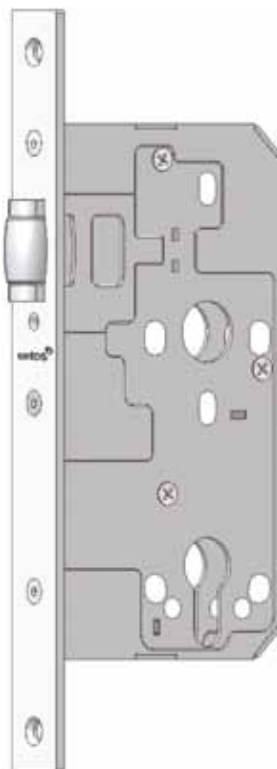
Series 702 HQ

Roller bolt upright mortice latch

Features

Roller bolt operation only.

This latch is also available with outline case sizes corresponding to series 768EQ, 770EQ, 785EQ, 788EQ, 790EQ e 792EQ sashlocks and respective backsets with exception of 45mm backset.



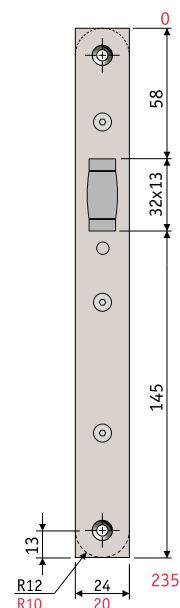
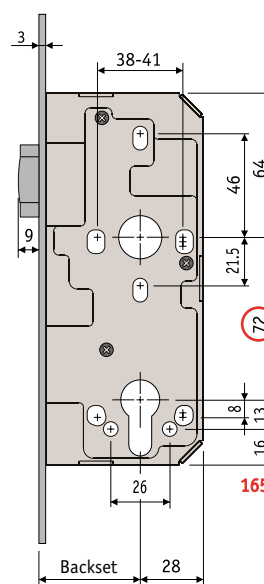
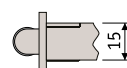
Options

- 7** Backset in mm: 50 (L); 55 (M); 60 (O); 65 (P); 70 (Q); 80 (T)
- 9** Latch: roller (R)
- 11** Forend in mm: square 24 (E) 20 (C); rounded 24 (K) 20 (I)
- 12** Forend and 712 I strike plate: SS 430 (I); SS 304 (J); brass (L)
- 13** Finish: satin (S)

CASE 165 mm

Code

1	2	3	4	5	6	7	8	9	10	11	12	13
F	7	0	2	H	Q		O	R	R			S

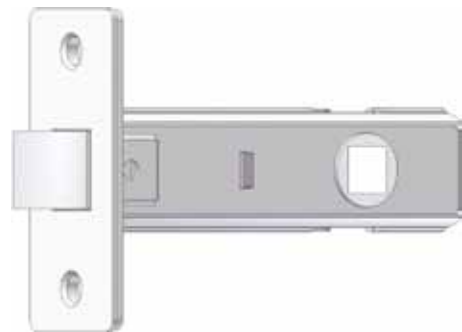


Series 702 PB

Tubular mortice latch

Features

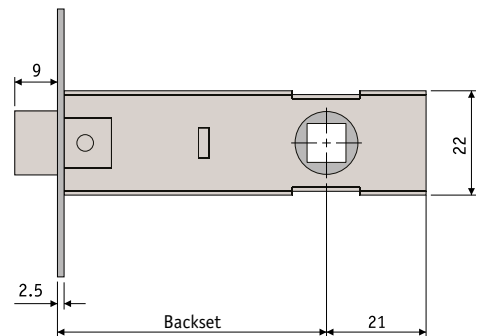
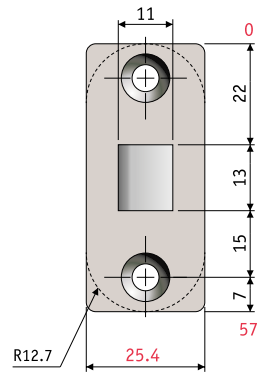
The latch is operated on both sides by lever handle.



Options

- 7** Backset in mm: 45 (J); 58 (O)
- 11** Forend: square (F); rounded (L)
- 12** Face plate and 702 E strike plate: SS 430 (I); SS 304 (J); brass (L)
- 13** Finish: satin (S)

CASE 22 mm



Code

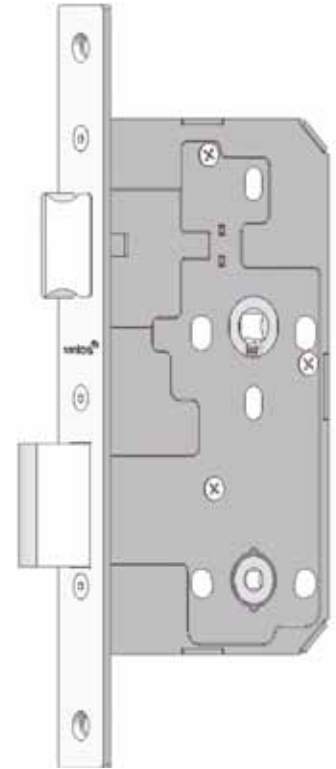
1	2	3	4	5	6	7	8	9	10	11	12	13
F	7	0	2	P	B		O	N	R			S

Series 778 WQ

Bathroom mortice lock

Features

The deadbolt is operated on the inside by thumbturn.
The latch is reversible and operated on both sides by lever handle.



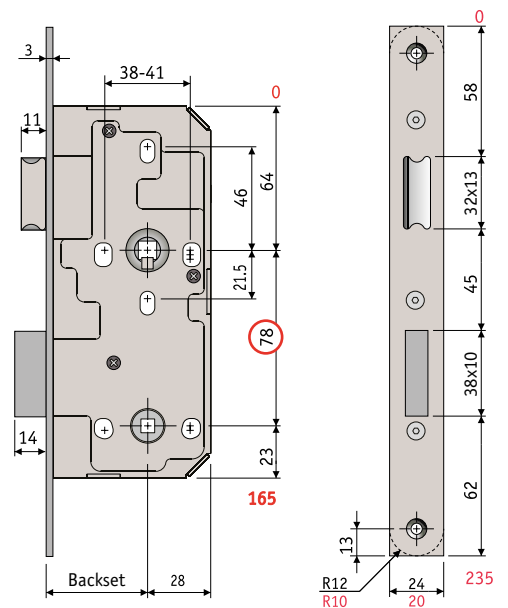
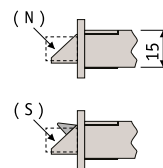
Options

- 7 Backset in mm: 45 (J); 50 (L); 55 (M); 60 (O); 65 (P); 70 (Q); 80 (T)
- 9 Latch: normal (N); silent (S)
- 11 Forend in mm: square 24 (E) 20 (C); rounded 24 (K) 20 (I)
- 12 Forend and 772 R strike plate: SS 430 (I); SS 304 (J); brass (L)
- 13 Finish: satin (S)

CASE 165 mm

Code

1	2	3	4	5	6	7	8	9	10	11	12	13
F	7	7	8	W	Q		1		R			S

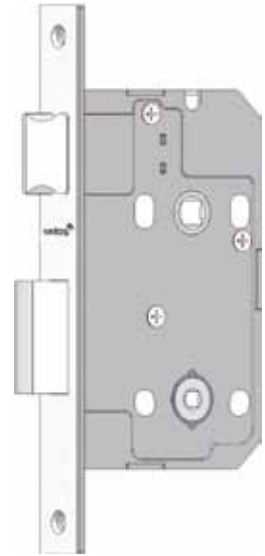


Series 763 WM

Bathroom mortice lock

Features

The deadbolt is operated on the inside by thumbturn.
The reversible latch is operated on both sides by lever handle.



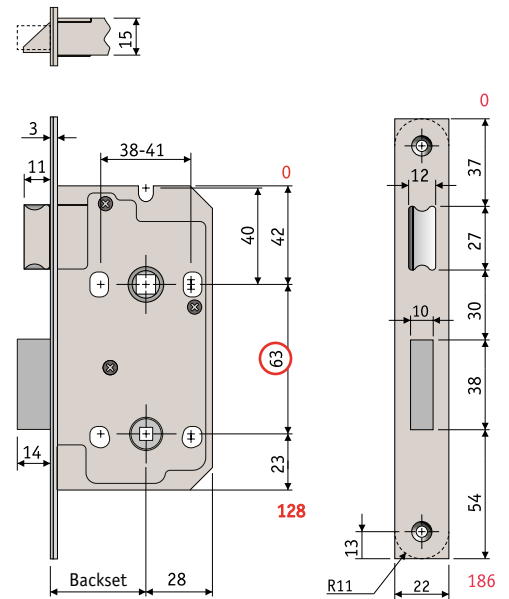
Options

- 7 Backset in mm: 50 (L); 60 (O)
- 11 Forend: square (D); rounded (J)
- 12 Face plate and 755 R strike plate: SS 430 (I); SS 304 (J); brass (L)
- 13 Finish: satin (S)

CASE 128 mm

Code

1	2	3	4	5	6	7	8	9	10	11	12	13
F	7	6	3	W	M		1	N	R			S

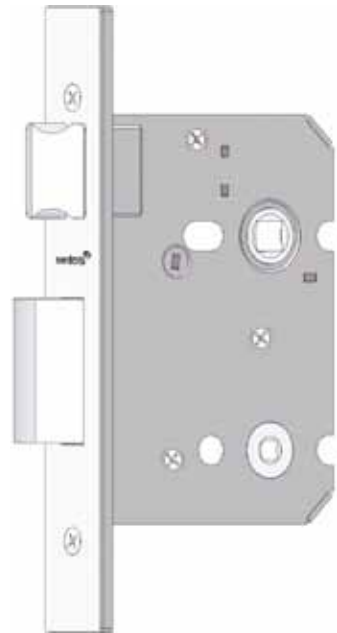


Series 758 WK

Bathroom mortice lock

Features

The deadbolt is operated on the inside by thumbturn.
The reversible latch is operated on both sides by lever handle.



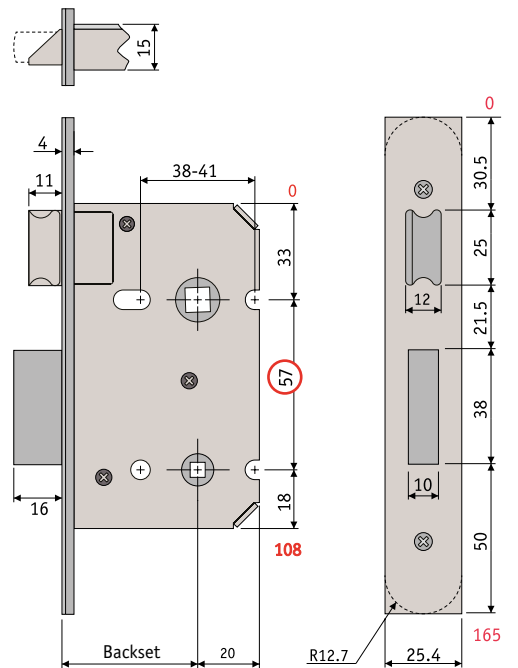
Options

- 7 Backset in mm: 45 (J); 58 (O)
- 11 Forend: square (F); rounded (L)
- 12 Face plate and 748 SF strike plate: SS 430 (I); SS 304 (J); brass (L)
- 13 Finish: satin (S)

CASE 108 mm

Code

1	2	3	4	5	6	7	8	9	10	11	12	13
F	7	5	8	W	K		1	N	R			S

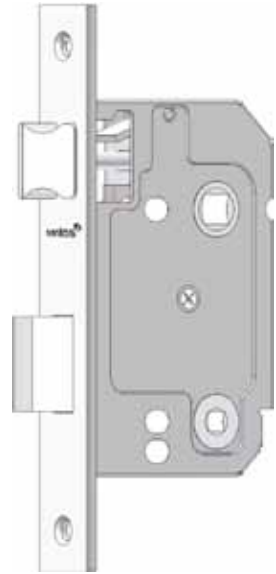


Series 757 WJ

Bathroom mortice lock

Features

The deadbolt is operated on the inside by thumbturn.
The latch is operated on both sides by lever handle.



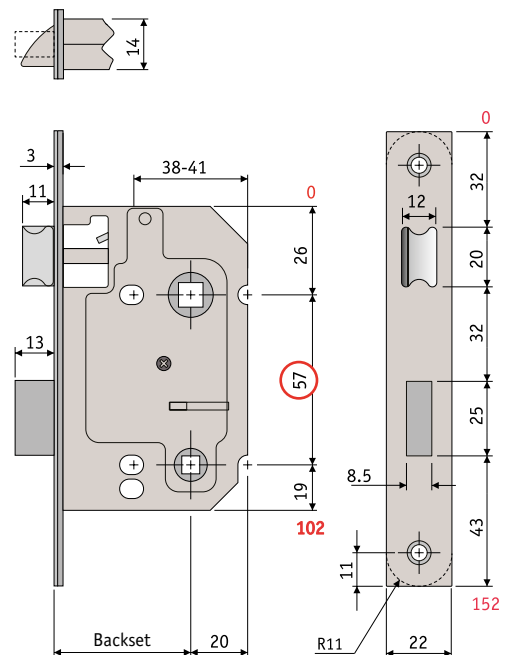
Options

- 7** Backset in mm: 45 (J); 58 (O)
- 11** Forend: square (D); rounded (J)
- 12** Face plate and 757 K strike plate: SS 430 (I); SS 304 (J); brass (L)
- 13** Finish: satin (S)

CASE 102 mm

Code

1	2	3	4	5	6	7	8	9	10	11	12	13
F	7	5	7	W	J		1	N	R			S



Series 702 RG

Deadlocking rim cylinder night latch

Features

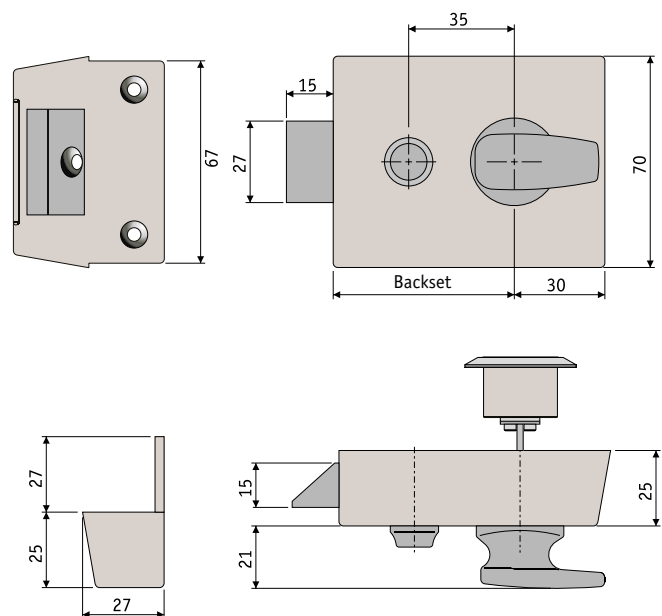
The latch is operated on the inside by handle and on the outside by cylinder.
 The latch deadlocks with extra turn of cylinder key.
 The thumb snib holds the latch deadlocked or in the withdrawn position.
 Concealed fixing.
 Rim cylinder and rose: satin brass or satin nickel plated brass.



Options

- 7 Backset in mm: 40 (I); 60 (O)
- 12 Case and keep: zinc (Z)
- 13 Finish: polyester painted white (A); polyester painted grey (G)

CASE 70 mm



Code

1	2	3	4	5	6	7	8	9	10	11	12	13
F	7	0	2	R	G		1	N	R	F	Z	

Series 911 RI

Rim cylinder lock

Features

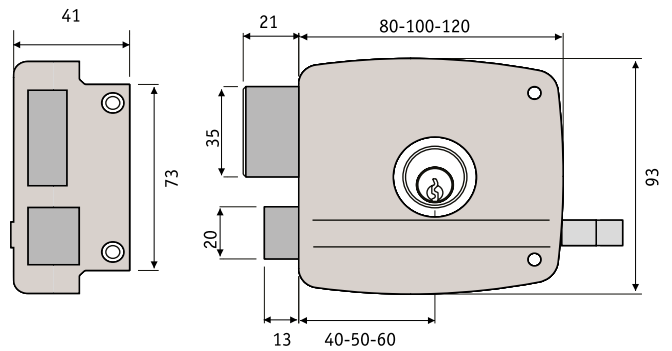
The deadbolt and the latch are operated on both sides by cylinder.
 The handle operates the latch.
 Double throw deadbolt with 21mm total throw.
 Latch, deadbolt and cylinder: nickel plated.

Options

- 7** Backset in mm: 40 (I); 50 (L); 60 (O)
- 10** Latch: right (D); left (E)
- 13** Finish: polyester painted brown (C)

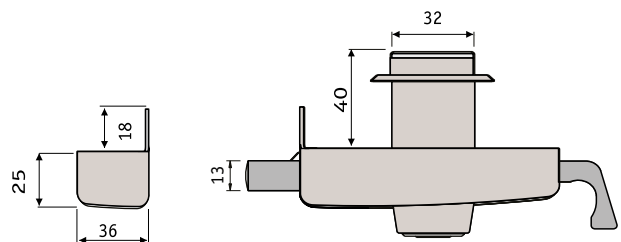


CASE 93 mm



Code

1	2	3	4	5	6	7	8	9	10	11	12	13
F	9	1	1	R	I		2	D		H	F	C



Series 912 RI

Rim cylinder lock

Features

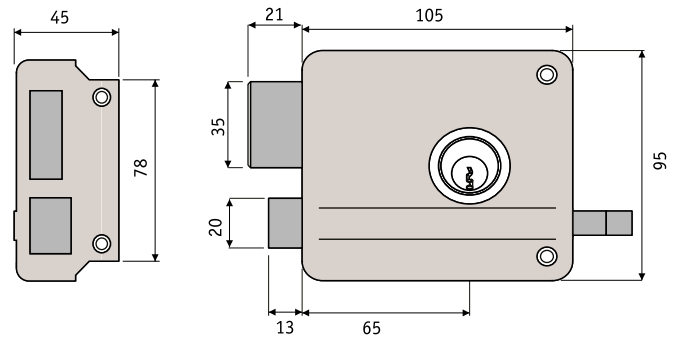
The deadbolt and the latch are operated on both sides by cylinder.
 The handle operates the latch.
 Double throw deadbolt with 21mm total throw.
 Latch, deadbolt and cylinder: nickel plated.

Options

- 10** Latch: right (D); left (E)
- 13** Finish: polyester painted brown (C)

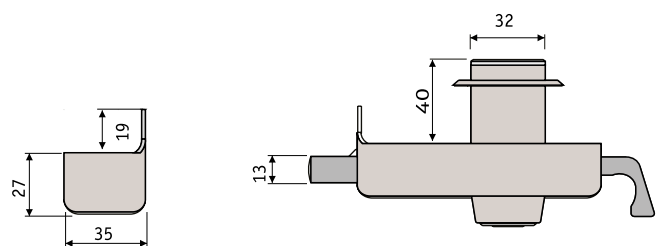


CASE 95 mm



Code

1	2	3	4	5	6	7	8	9	10	11	12	13
F	9	1	2	R	I	P	2	D		H	F	C



Series 913 RI

Rim cylinder lock

Features

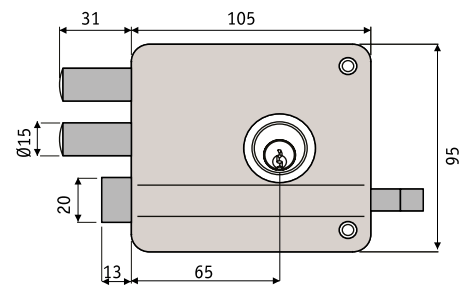
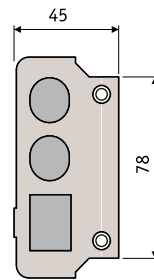
The deadbolts and the latch are operated on both sides by cylinder.
 The handle operates the latch.
 Triple throw deadbolt with 31mm total throw.
 Latch, deadbolts and cylinder: nickel plated.

Options

- 10 Latch: right (D); left (E)
- 13 Finish: polyester painted brown (C)

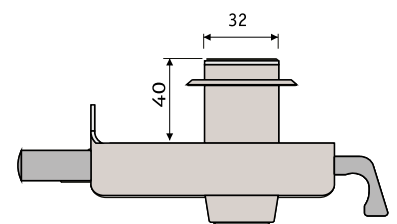
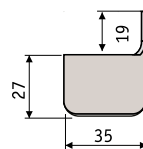


CASE 95 mm



Code

1	2	3	4	5	6	7	8	9	10	11	12	13
F	9	1	3	R	I	P	3	D		H	F	C

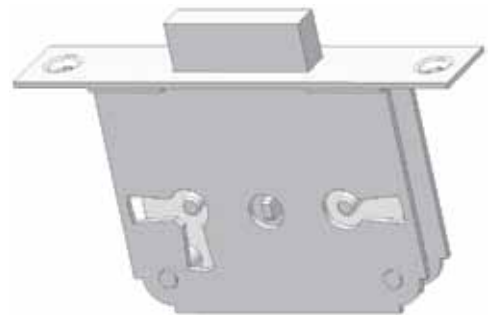


Series 031 TE

3 Lever straight cupboard / drawer lock

Features

6 key differs (1 supplied).
3 keyhole positions allow the lock to be used either hand.



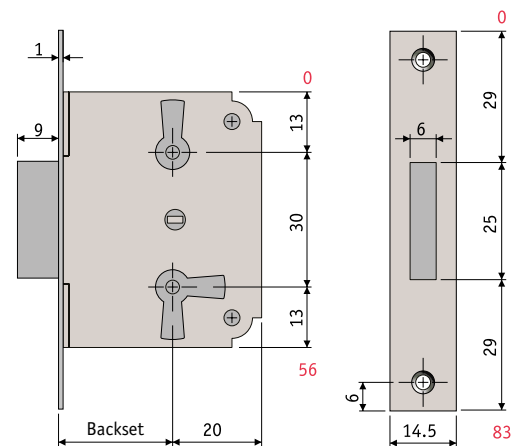
Options

- 7** Backset in mm: 25 (D); 35 (G); 45 (J); 50 (L); 60 (O)
- 12** Forend: brass (L)
- 13** Finish: satin (S)

CASE 56 mm

Code

1	2	3	4	5	6	7	8	9	10	11	12	13
F	0	3	1	T	E		1	L	R	B	L	S

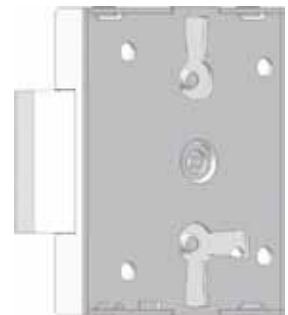


Series 030 TE

3 Lever straight cupboard / drawer lock

Features

- 6 key differs (1 supplied).
- 3 keyhole positions allow the lock to be used either hand.



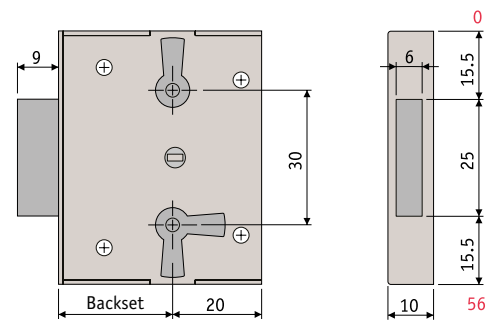
Options

- 7 Backset in mm: 25 (D); 35 (G); 45 (J); 50 (L); 60 (O)
- 12 Lock: steel (F)
- 13 Finish: nickel plated (N)

CASE 56 mm

Code

1	2	3	4	5	6	7	8	9	10	11	12	13
F	0	3	0	T	E		1	L	R	A	F	N



Series CH 1

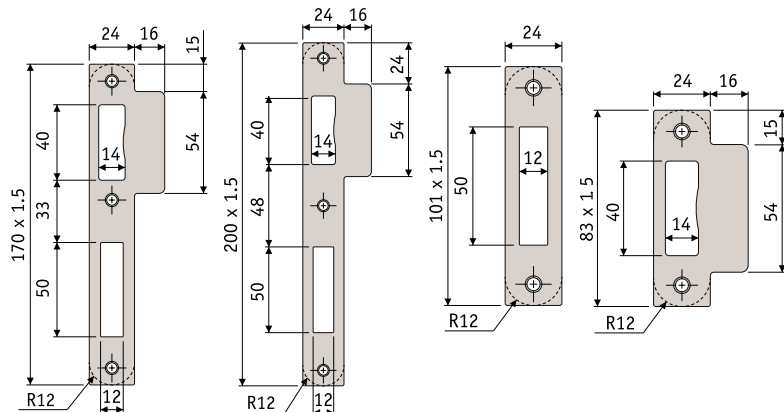
Strike plates for wooden doors

772 R

785 V

701 K

702 I



Ref. For locks series

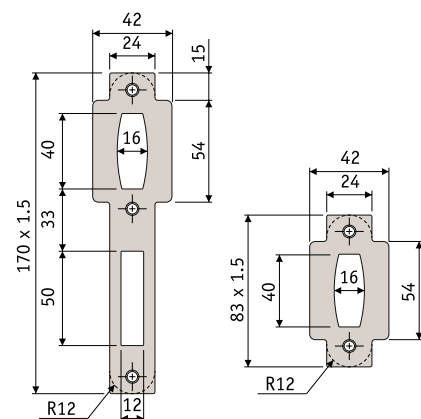
- 772 R 768 EQ, 770 EQ, 772 EQ, 778 WQ, 768 TQ, 770 TQ, 772 TQ
- 785 V 785 EQ, 788 EQ, 790 EQ, 792 EQ
- 701 K 701 EQ, 701 TQ, 701 EM, 701 EO
- 702 I 702 PQ, 702 PM, 702 PO, 755 EZ, 757 EZ, 760 EZ, 768 EZ, 770 EZ, 772 EZ, 785 EZ, 788 EZ, 790 EZ, 792 EZ

- 712 R 712 EQ
- 712 I 702 HQ

- 672 R 672 EQ, 673 EQ
- 602 I 602 EQ

712 R

712 I



Options

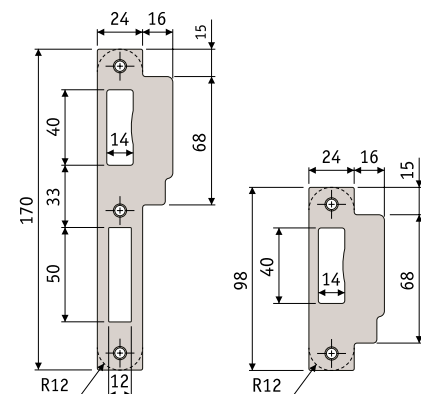
- 6 Strike plate: square (E); rounded (K)
- 12 Material: SS 430 (I); SS 304 (J); brass (L)
- 13 Finish: satin (S)

Code

1	2	3	4	5	6	7	8	9	10	11	12	13
Q	7	7	2	R		1	H	D	R	H		S
Q	7	8	5	V		1	H	D	R	H		S
Q	7	0	1	K		1	H	L	R	H		S
Q	7	0	2	I		1	H	N	R	H		S
Q	7	1	2	R		1	H	G	R	H		S
Q	7	1	2	I		1	H	R	R	H		S
Q	6	7	2	R		1	H	D	R	H		S
Q	6	0	2	I		1	H	N	R	H		S

672 R

602 I



Series CH2

Strike plates for wooden doors

Ref. For locks series

770 R 767 EQ, 769 EQ, 771 EQ
 771 R 767 EQ, 769 EQ, 771 EQ
 790 V 784 EQ, 787 EQ, 789 EQ, 791 EQ
 791 V 784 EQ, 787 EQ, 789 EQ, 791 EQ

755 R 755 EM, 757 EM, 760 EM, 763 WM, 768 TM, 770 TM, 772 TM
 755 P 755 EM, 757 EM, 760 EM, 763 WM, 768 TM, 770 TM, 772 TM
 768 R 768 EO, 770 EO, 772 EO

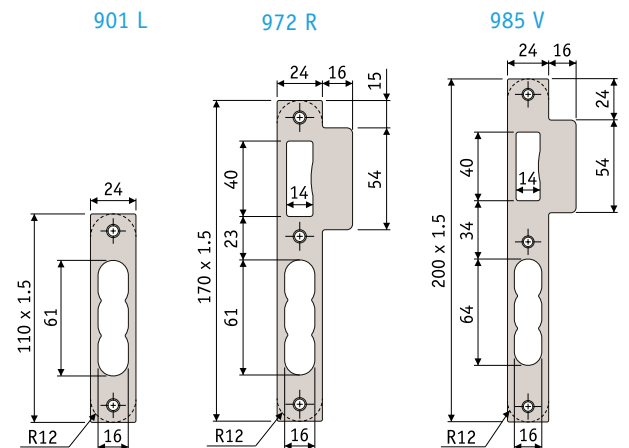
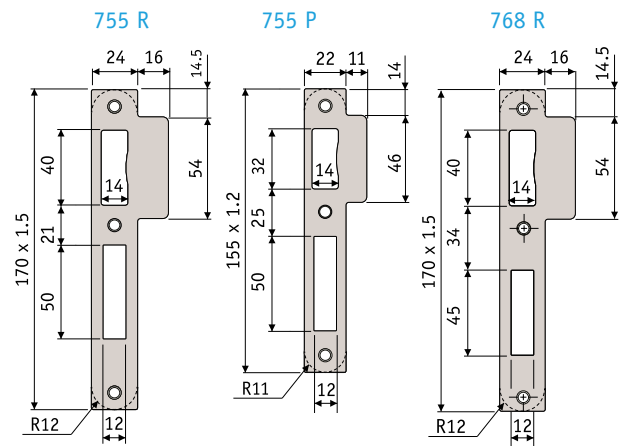
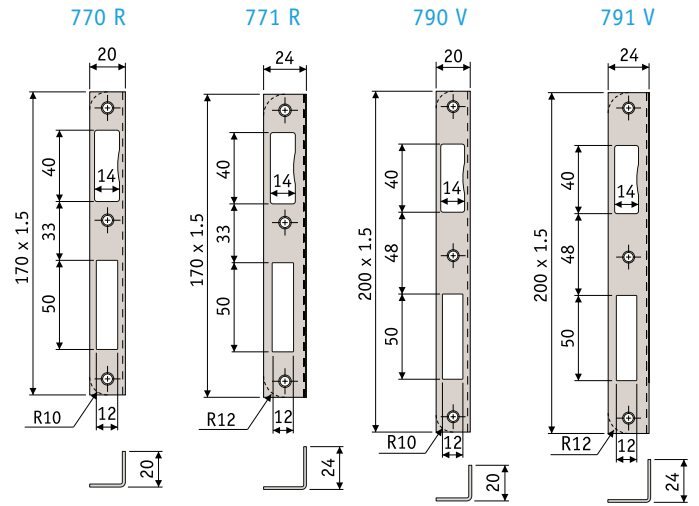
901 L 901 EQ
 972 R 972 EQ
 985 V 985 EQ, 988 EQ, 990 EQ, 992 EQ

Options

- 6 Strike plate 20mm: square (C); rounded (I)
- 6 Strike plate 24mm: square (E); rounded (K)
- 12 Material: SS 430 (I); SS 304 (J); brass (L)
- 13 Finish: satin (S)

Code

1	2	3	4	5	6	7	8	9	10	11	12	13
Q	7	7	0	R		1	H	D	R	H		S
Q	7	7	1	R		1	H	D	R	H		S
Q	7	9	0	V		1	H	D	R	H		S
Q	7	9	1	V		1	H	D	R	H		S
Q	7	5	5	R		2	H	D	R	H		S
Q	7	5	5	P		2	H	D	R	H		S
Q	7	6	8	R		1	H	D	R	H		S
Q	9	0	1	L		1	H	I	R	H		S
Q	9	7	2	R		1	H	J	R	H		S
Q	9	8	5	V		1	H	I	R	H		S



Series CH 3

Strike plates for wooden doors

Ref. For locks series

700 NF 701 EK, 701 EG, 701 FK, 701 FG
 701 NF 701 EK, 701 EG, 701 FK, 701 FG
 748 SF 748 EK, 758 WK, 757 FK, 758 TK
 757 SF 748 EK, 757 FK

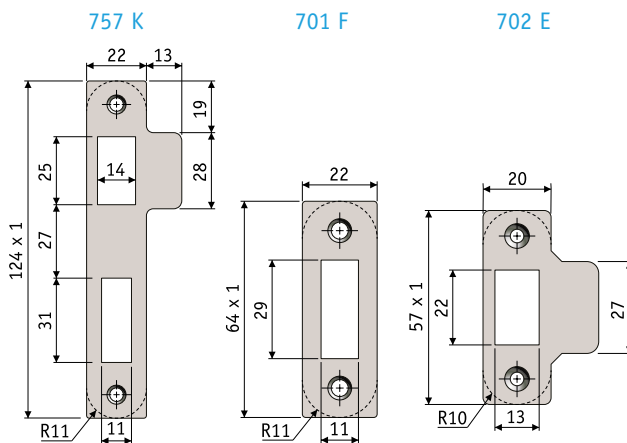
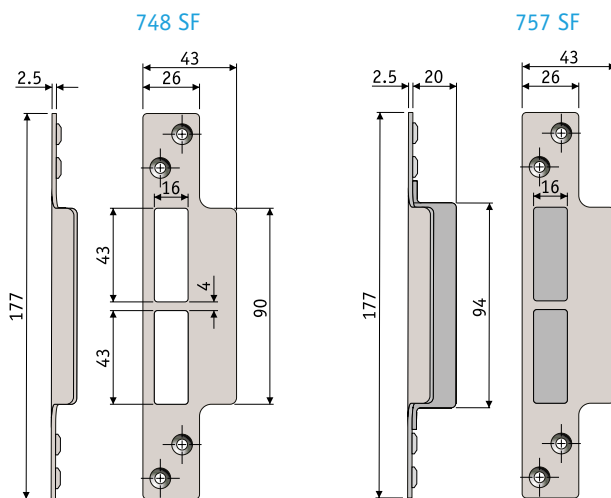
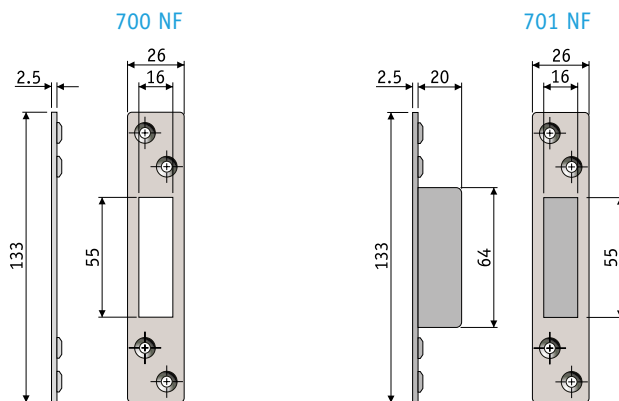
757 K 757 TJ, 757 WJ
 701 F 701 TJ
 702 E 702 PJ, 702 PB

Options

- 6 Strike plate 20mm: square (C); rounded (I)
- 6 Strike plate 22mm: square (D); rounded (J)
- 12 Material: SS 430 (I); SS 304 (J); brass (L)
- 13 Finish: satin (S)

Code

1	2	3	4	5	6	7	8	9	10	11	12	13
Q	7	0	0	N	F	5	H	L	R	H		S
Q	7	0	1	N	F	5	H	L	R	H		S
Q	7	4	8	S	F	5	H	D	R	H		S
Q	7	5	7	S	F	5	H	D	R	H		S
Q	7	5	7	K		0	X	D	R	H		S
Q	7	0	1	F		0	X	L	R	H		S
Q	7	0	2	E		0	H	N	R	H		S

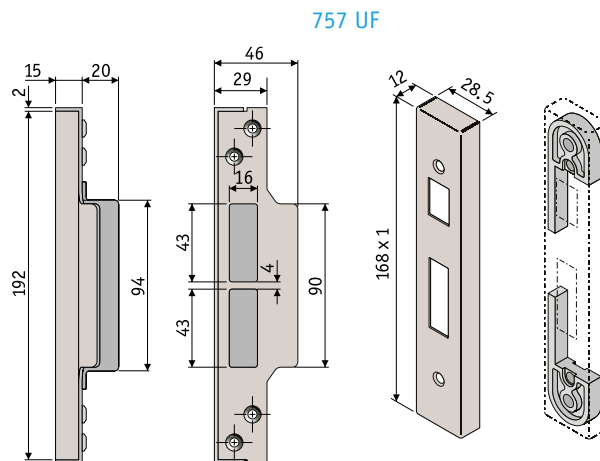


Series CH 4

Strike plates for rebated doors

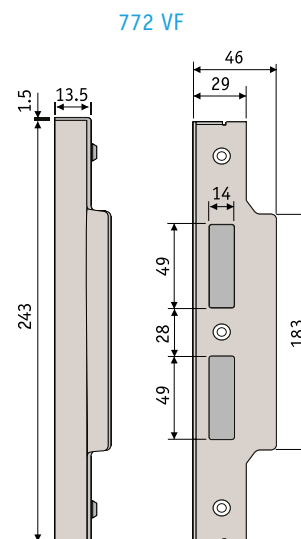
Ref. For locks series

757 UF 748 ER, 757 FK
772 VF 772 EQ



Options

- 12 Material: SS 430 (I); SS 304 (J); brass (L)
- 13 Finish: satin (S)



Code

1	2	3	4	5	6	7	8	9	10	11	12	13
Q	7	5	7	U	F	4	H	D	R	H		S
Q	7	7	2	V	F	4	H	D	R	H		S

Series CH 5

Key blanks for locks

Ref. For locks series

150 GB 701 FG, 701 FK, 757 FK
 159 GB 758 TK
 130 GB 701 TJ, 757 TJ
 131 GB 701 TQ, 768 TQ, 770 TQ, 772 TQ
 768 TM, 770 TM, 772 TM

030 GB 030 TE, 031 TE

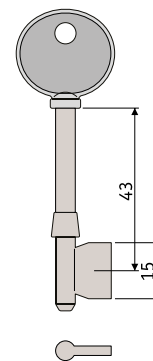
Options

- 11** Key: reversible (R); right (D); left (E)
- 12** Key: brass (L); zinc (Z)
- 13** Finish: satin brass (L); brass plated (B); nickel plated (N)

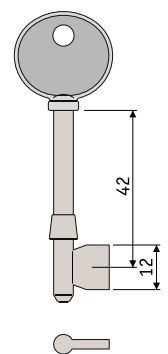
Code

1	2	3	4	5	6	7	8	9	10	11	12	13
X	1	5	0	G	B	1	5	4	3	R	L	L
X	1	5	9	G	B	1	2	4	2	R	L	L
X	1	3	0	G	B	1	0	3	7		Z	N
X	1	3	1	G	B	1	2	4	2		L	
X	0	3	0	G	B	0	7	3	6	R	Z	

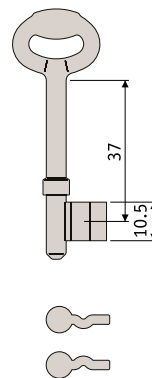
150 GB



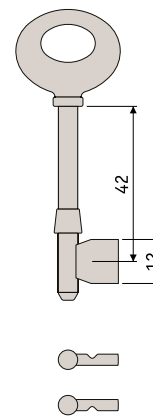
159 GB



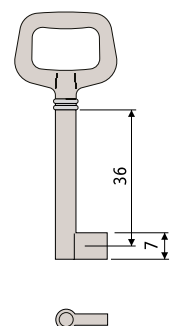
130 GB



131 GB



030 GB

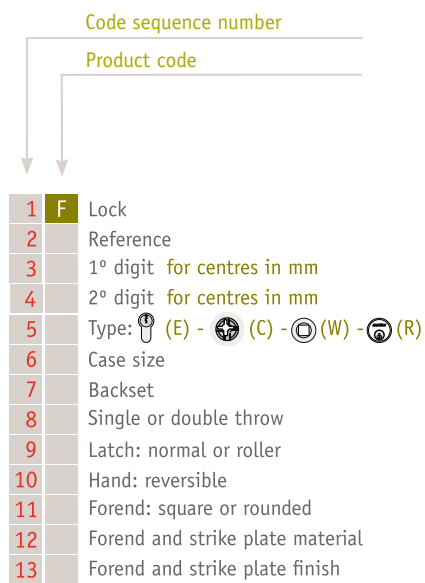


SECURITY LOCKS FOR ALUMINIUM AND PVC DOORS

LOCKS

.FOR EURO CYLINDERS	(STANDARD)
.FOR CROSS KEY CYLINDERS	(OPTIONAL)
.POLYESTER PAINTED CASE	(STANDARD)
.PRIOR EASY REPLACEABLE FOREND FOR FINISH CHANGE PURPOSE	(STANDARD)
.STRIKE PLATES FIXED OR ADJUSTABLE	(EXTRA)
.DOUBLE DEADBOLT THROW: 20MM THROW	(STANDARD)
.SINGLE DEADBOLT THROW: 16MM THROW	(STANDARD)
.SUITABLE FOR LEVERS ON BACK PLATE OR ON ROSE AND CYLINDER ESCUTCHEONS	(STANDARD)
.CYLINDER FIXING SCREW	(STANDARD)
.ZINC PLATED INNER COMPONENTS	(STANDARD)
.LATCH: (N) REVERSIBLE	(STANDARD)
.LATCH: (R) ROLLER WITH ADJUSTABLE THROW	(STANDARD)
.DEADBOLT WITH STEEL SIDE PLATES	(STANDARD)

SECURITY MORTICE LOCKS

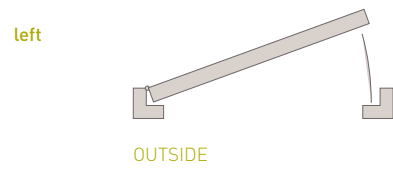
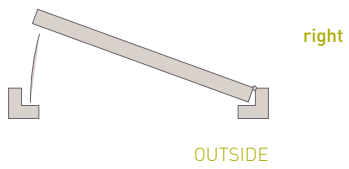


PLEASE NOTE

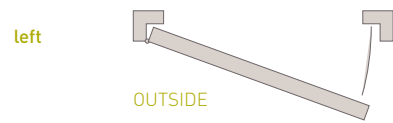
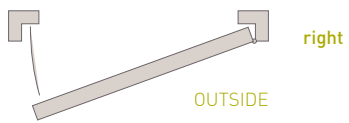
To indicate the product to order please fill in the empty boxes of each product code.

HANDING OF DOORS

SINGLE DOORS INWARD OPENING



SINGLE DOORS OUTWARD OPENING



Series 485 ER . 985 ER 490 ER . 990 ER 492 ER . 992 ER

Euro cylinder mortice sashlock

Features

The single throw deadbolt and the latch are operated on both sides by cylinder. The reversible latch is operated on both sides by lever handle.

Extra: strike plates 485 RE, 485 SE or 485 TD.

Options

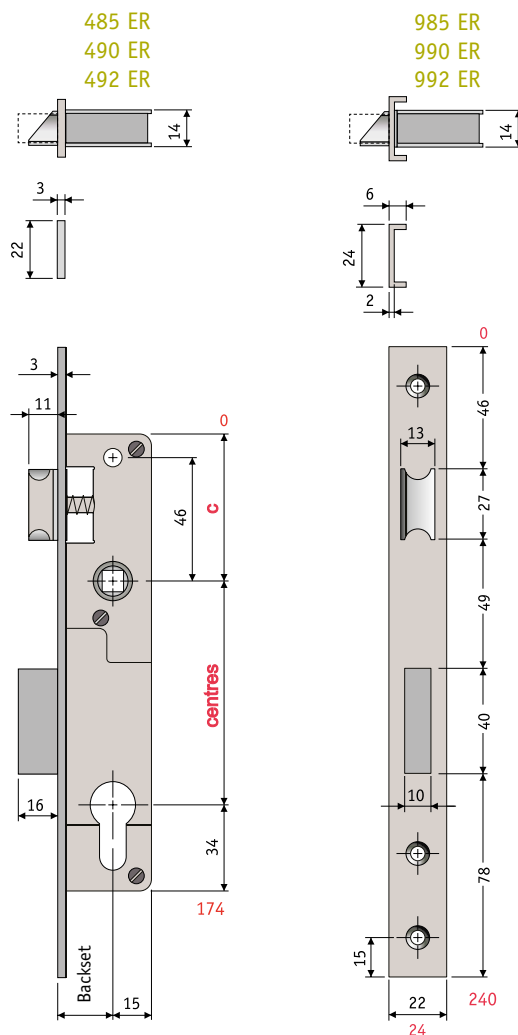
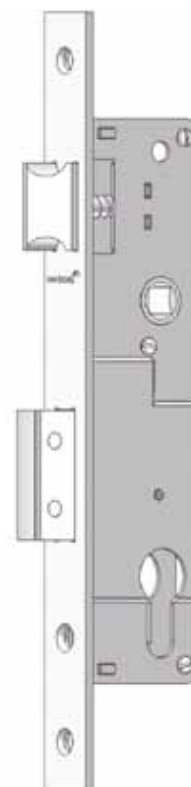
- 7** Backset in mm: 20 (B); 25 (D); 30 (F); 35 (G); 40 (I)
- 9** Latch: normal (N)
- 11** Flat forend 22mm (D); U forend 24mm (T)
- 12** Forend: SS 430 (I); SS 304 (J); brass (L)
- 13** Finish: satin (S)

CASE 174 mm

centres mm	C mm	Ref
85	55	485 ER - 985 ER
90	50	490 ER - 990 ER
92	48	492 ER - 992 ER

Code

1	2	3	4	5	6	7	8	9	10	11	12	13
F	4	8	5	E	R		1	N	R	D		S
F	9	8	5	E	R		1	N	R	T		S
F	4	9	0	E	R		1	N	R	D		S
F	9	9	0	E	R		1	N	R	T		S
F	4	9	2	E	R		1	N	R	D		S
F	9	9	2	E	R		1	N	R	T		S



Series 487 CR . 987 CR

Cross key cylinder mortice sashlock

Features

The single throw deadbolt and the latch are operated on both sides by cylinder. The reversible latch is operated on both sides by lever handle. Extra: strike plates 485 SE or 485 TD.

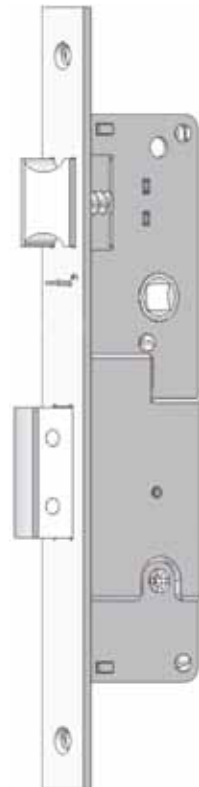
Options

- 7 Backset in mm: 25 (D); 30 (F)
- 9 Latch: normal (N)
- 11 Flat forend 22mm (D); U forend 24mm (T)
- 12 Forend: SS 430 (I); SS 304 (J); brass (L)
- 13 Finish: satin (S)

CASE 174 mm

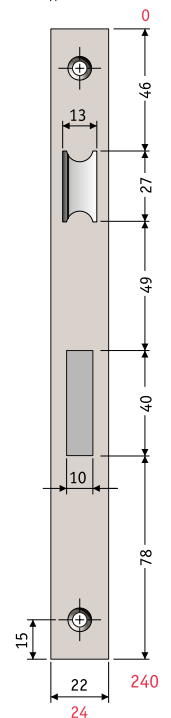
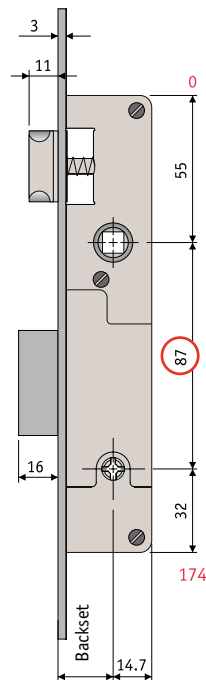
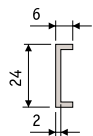
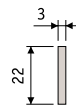
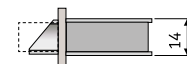
Code

1	2	3	4	5	6	7	8	9	10	11	12	13
F	4	8	7	C	R		1	N	R	D		S
F	9	8	7	C	R		1	N	R	T		S



487 CR

987 CR

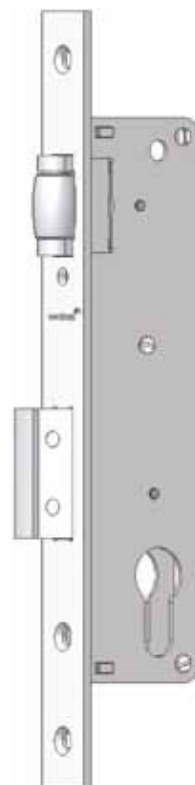


Series 412 ER . 912 ER

Euro cylinder roller bolt mortice sashlock

Features

The single throw deadbolt is operated on both sides by cylinder.
 The adjustable roller operates independently from cylinder.
 Extra: strike plate 712 RE.



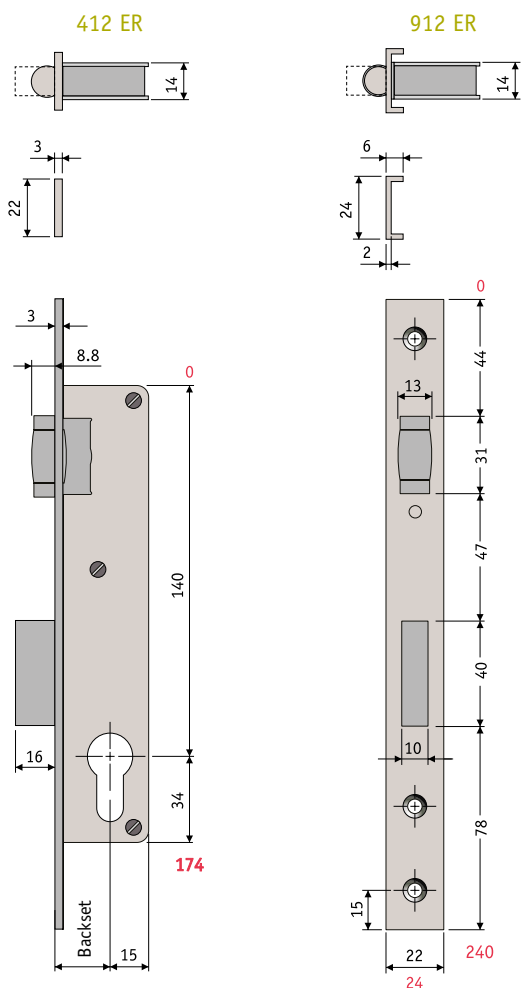
Options

- 7 Backset in mm: 20 (B); 25 (D); 30 (F); 35 (G); 40 (I)
- 9 Latch: roller (R)
- 11 Flat forend 22mm (D); U forend 24mm (T)
- 12 Forend: SS 430 (I); SS 304 (J); brass (L)
- 13 Finish: satin (S)

CASE 174 mm

Code

1	2	3	4	5	6	7	8	9	10	11	12	13
F	4	1	2	E	R		1	R	R	D		S
F	9	1	2	E	R		1	R	R	T		S



Series 485 WR . 985 WR

Mortice sashlock

Features

The single throw deadbolt is operated on the inside by thumbturn.
 The reversible latch is operated on both sides by lever handle.
 This lock is also available with outline case sizes corresponding to series 490 ER and 492 ER.
 Extra: strike plates 485 RE, 485 SE or 485 TD.

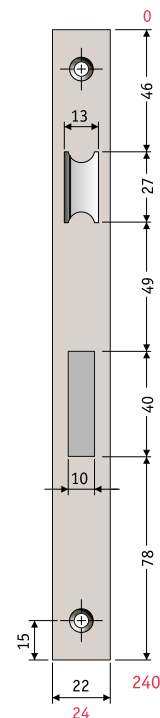
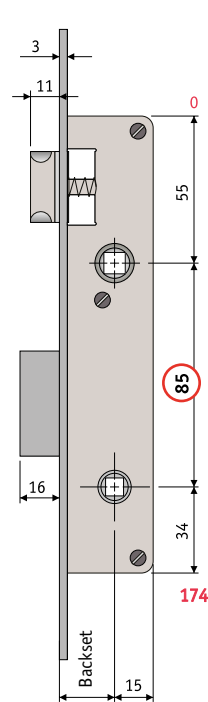
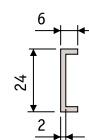
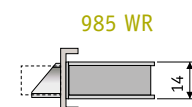
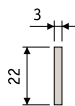
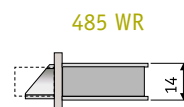
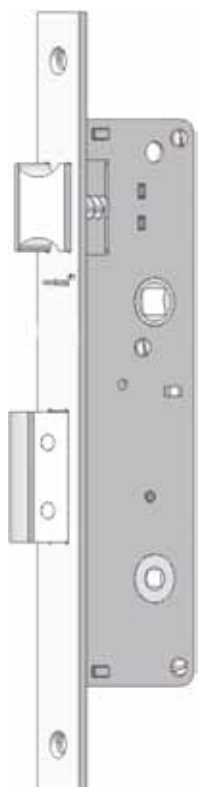
Options

- 7 Backset in mm: 20 (B); 25 (D); 30 (F); 35 (G); 40 (I)
- 9 Latch: normal (N)
- 11 Flat forend 22mm (D); U forend 24mm (T)
- 12 Forend: SS 430 (I); SS 304 (J); brass (L)
- 13 Finish: satin (S)

CASE 174 mm

Code

1	2	3	4	5	6	7	8	9	10	11	12	13
F	4	8	5	W	R		1	N	R	D		S
F	9	8	5	W	R		1	N	R	T		S



Series 401 EJ . 901 EJ

Euro cylinder mortice deadlock

Features

The single throw deadbolt is operated on both sides by cylinder.
Extra: strike plates 401 KE or 401 LD.



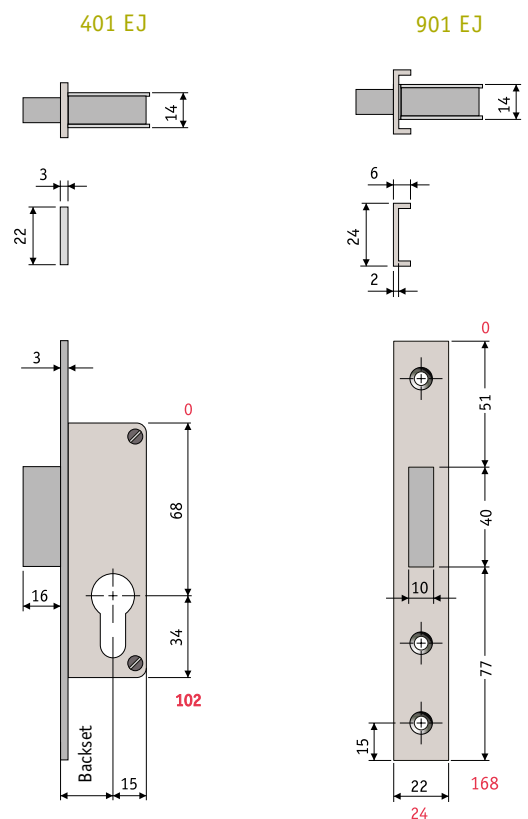
Options

- 7** Backset in mm: 20 (B); 25 (D); 30 (F); 35 (G); 40 (I)
- 11** Flat forend 22mm (D); U forend 24mm (T)
- 12** Forend: SS 430 (I); SS 304 (J); brass (L)
- 13** Finish: satin (S)

CASE 102 mm

Code

1	2	3	4	5	6	7	8	9	10	11	12	13
F	4	0	1	E	J		1	L	R	D		S
F	9	0	1	E	J		1	L	R	T		S

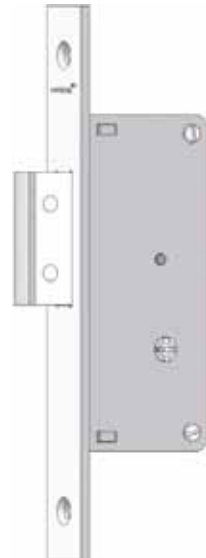


Series 401 CJ . 901 CJ

Cross key cylinder mortice deadlock

Features

The single throw deadbolt is operated on both sides by cylinder.
Extra: strike plates 401 KE or 401 LD.



Options

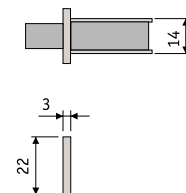
- 7** Backset in mm: 20 (B)
- 11** Flat forend 22mm (D); U forend 24mm (T)
- 12** Forend: SS 430 (I); SS 304 (J); brass (L)
- 13** Finish: satin (S)

CASE 102 mm

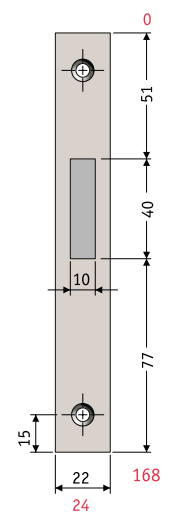
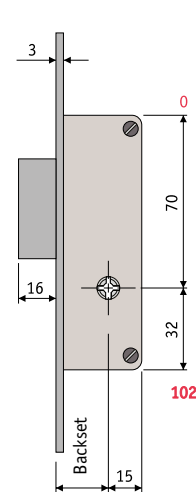
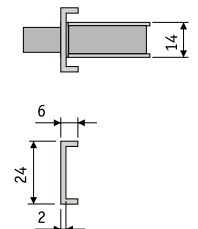
Code

1	2	3	4	5	6	7	8	9	10	11	12	13
F	4	0	1	C	J		1	L	R	D		S
F	9	0	1	C	J		1	L	R	T		S

401 CJ



901 CJ

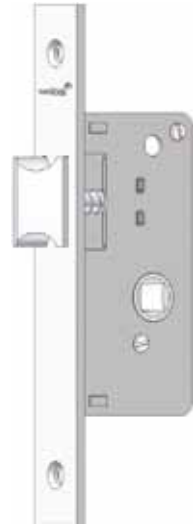


Series 402 PI

Mortice latch

Features

The reversible latch is operated on both sides by lever handle.
Extra: strike plate 402 IE.



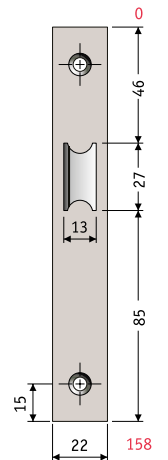
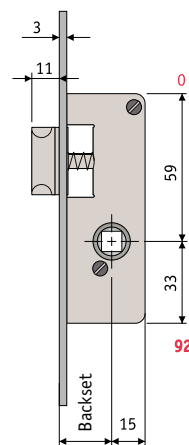
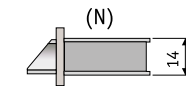
Options

- 7 Backset in mm: 20 (B); 25 (D); 30 (F)
- 9 Latch: normal (N)
- 11 Flat forend (D)
- 12 Forend: SS 430 (I); SS 304 (J); brass (L)
- 13 Finish: satin (S)

CASE 92 mm

Code

1	2	3	4	5	6	7	8	9	10	11	12	13
F	4	0	2	P	I		O	N	R	D		S



Series 402 HI

Roller bolt mortice latch

Features

The adjustable roller operates independently from door furniture.
Extra: strike plate 712 IE.

Options

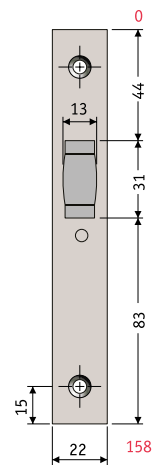
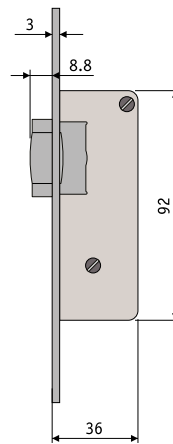
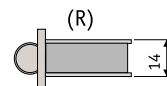
- 9 Latch: roller (R)
- 11 Flat forend (D)
- 12 Forend: SS 430 (I); SS 304 (J); brass (L)
- 13 Finish: satin (S)



CASE 92 mm

Code

1	2	3	4	5	6	7	8	9	10	11	12	13
F	4	0	2	H	I	H	O	R	R	D		S



Series 474 EF

Euro cylinder dead locking mortice latch

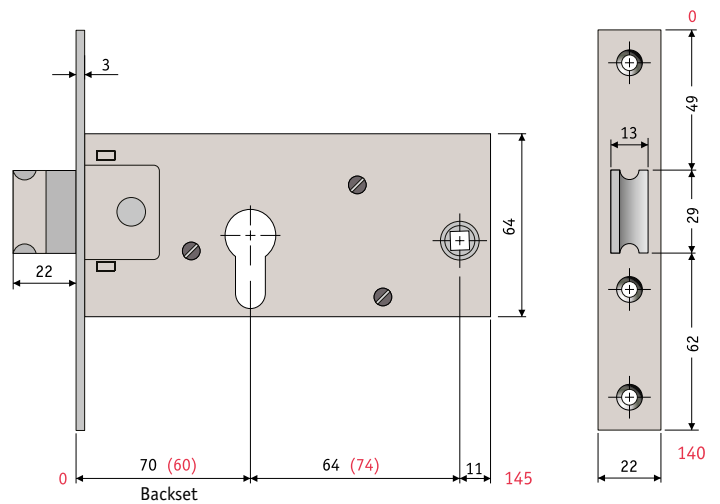
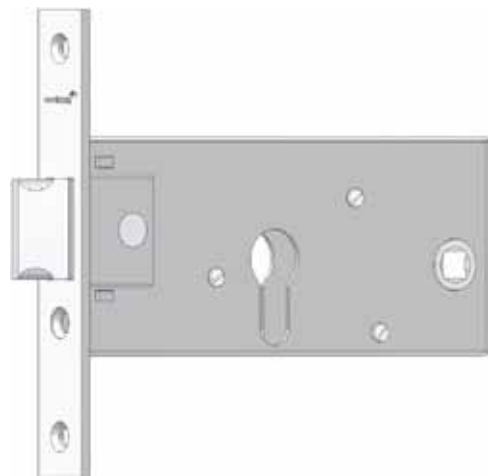
Features

The reversible latch is operated on both sides by lever handle.
The latch deadlocks by cylinder operation.

Options

- 7 Backset in mm: 60 (O); 70 (Q)
- 9 Latch: normal (N)
- 11 Flat forend (D)
- 12 Forend: SS 430 (I); SS 304 (J); brass (L)
- 13 Finish: satin (S)

CASE 64 mm



Code

1	2	3	4	5	6	7	8	9	10	11	12	13
F	4	7	4	E	F		2	N	R	D		S



Series 474 CF

Cross key cylinder dead locking mortice latch

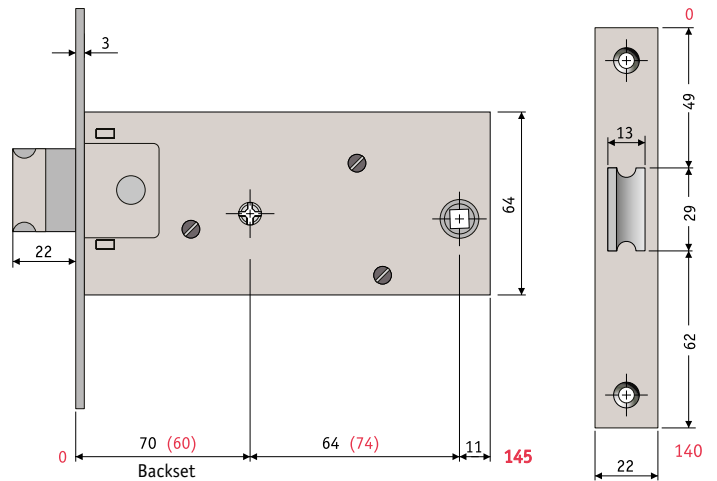
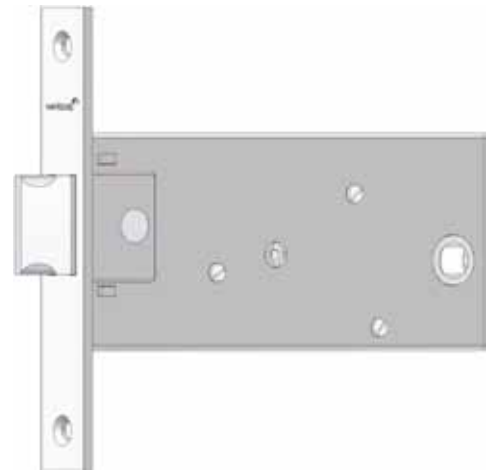
Features

The reversible latch is operated on both sides by lever handle.
The latch deadlocks by cylinder operation.

Options

- 7 Backset in mm: 60 (0); 70 (Q)
- 9 Latch: normal (N)
- 11 Flat forend (D)
- 12 Forend: SS 430 (I); SS 304 (J); brass (L)
- 13 Finish: satin (S)

CASE 64 mm



Code

1	2	3	4	5	6	7	8	9	10	11	12	13
F	4	7	4	C	F		2	N	R	D		S



Series 401 CD

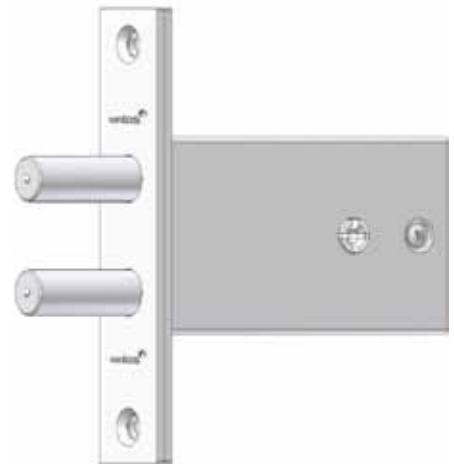
Cross key cylinder twin bolt mortice deadlock

Features

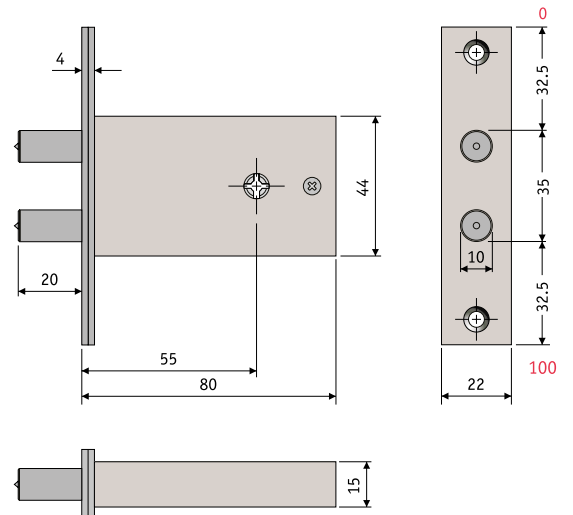
The single throw deadbolts with 20mm throw are operated by cylinder.

Options

- 7 Backset in mm: 55 (M)
- 12 Face plate and 401 KD strike plate: SS 430 (I); SS 304 (J); brass (L)
- 13 Finish: satin (S)



CASE 44 mm



Code

1	2	3	4	5	6	7	8	9	10	11	12	13
F	4	0	1	C	D	M	1	N	R	D		S

Series 400 EQ

Euro cylinder vertical shutter lock

Features

The double throw shootbolts with 25mm total throw are operated on both sides by cylinder.

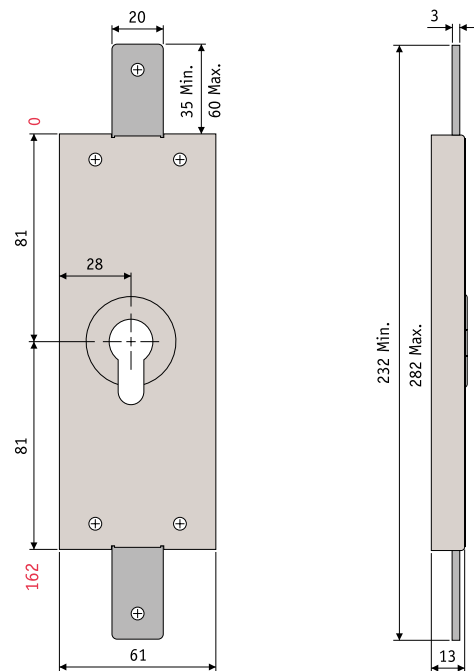
Options

- 12 Material: steel (F)
- 13 Finish: black polyester (P)

CASE 162 mm

Code

1	2	3	4	5	6	7	8	9	10	11	12	13
F	4	0	0	E	Q	F	2	L	R	B	F	P



Series 400 EF

Euro cylinder horizontal shutter lock

Features

The double throw shootbolts with 25mm total throw are operated on both sides by cylinder.



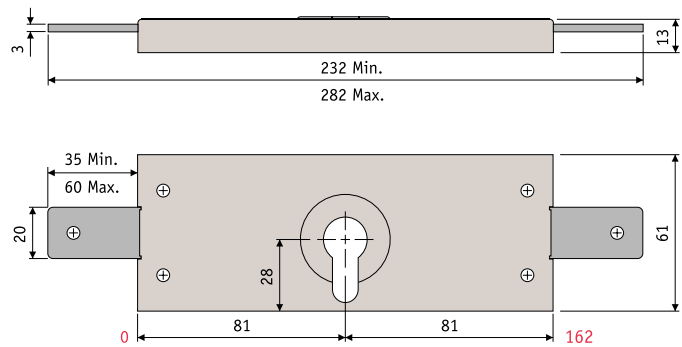
Options

- 12 Material: steel (F)
- 13 Finish: black polyester (P)

CASE 61 mm

Code

1	2	3	4	5	6	7	8	9	10	11	12	13
F	4	0	0	E	F	T	2	L	R	B	F	P



Series 400 CF

Cross key cylinder horizontal shutter lock

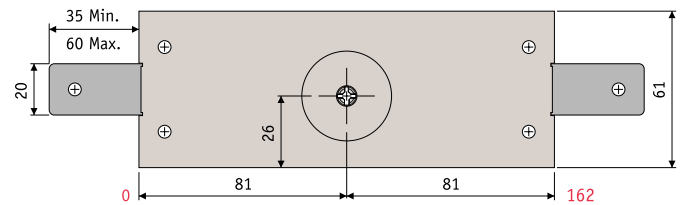
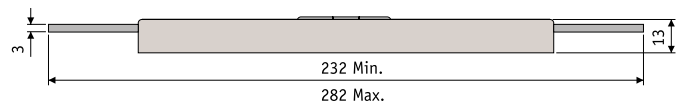
Features

The double throw shootbolts with 25mm total throw are operated on both sides by cylinder.

Options

- 12 Material: steel (F)
- 13 Finish: black polyester (P)

CASE 61 mm



Code

1	2	3	4	5	6	7	8	9	10	11	12	13
F	4	0	0	C	F	T	2	L	R	B	F	P

Series 402 HF

Garage door latch

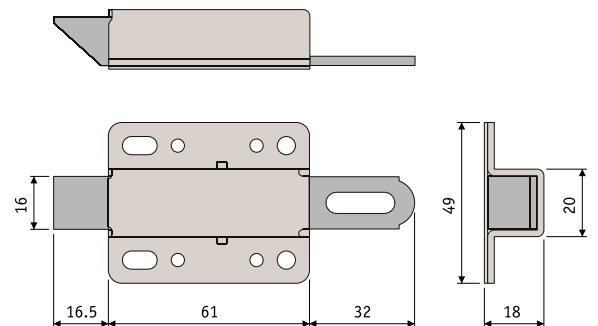
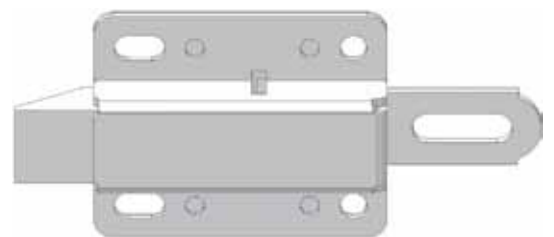
Features

The latch deadlocks automatically when the door closes.
 The latch unlocks by cylinder or handle operation.
 This latch is to be fitted with series 400 EQ, 400 EF or 400 CF locks.
 Adjustable fixing.

Options

- 9 Latch: normal (N)
- 12 Forend: steel (F)
- 13 Finish: zinc plated (Z)

CASE 61 mm



Code

1	2	3	4	5	6	7	8	9	10	11	12	13
F	4	0	2	H	F	H	0	N	R	H	F	Z

Series CHA 1

Strike plates for aluminium doors

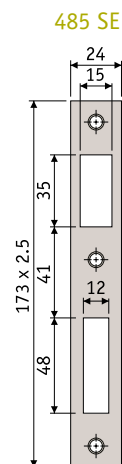
Ref. For locks series

485 SE 485 ER, 485 WR, 487 CR, 490 ER, 492 ER
 485 RE 485 ER, 485 WR, 487 CR, 490 ER, 492 ER

712 RE 412 ER
 401 KE 401 EJ, 401 CJ
 402 IE 402 PI
 712 IE 402 HI

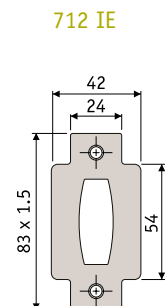
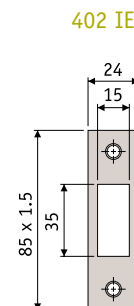
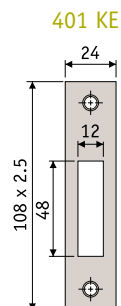
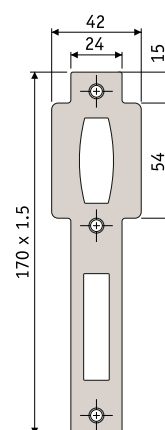
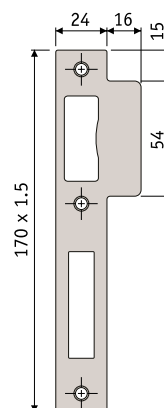
Options

- 12 Material: SS 430 (I); SS 304 (J); brass (L)
- 13 Finish: satin (S)



485 RE

712 RE



Code

1	2	3	4	5	6	7	8	9	10	11	12	13
Q	4	8	5	S	E	1	H	D	R	H		S
Q	4	8	5	R	E	1	H	D	R	H		S
Q	7	1	2	R	E	1	H	G	R	H		S
Q	4	0	1	K	E	1	H	L	R	H		S
Q	4	0	2	I	E	1	H	N	R	H		S
Q	7	1	2	I	E	1	H	G	R	H		S

Series CHA 2

Strike plates for aluminium doors

Features

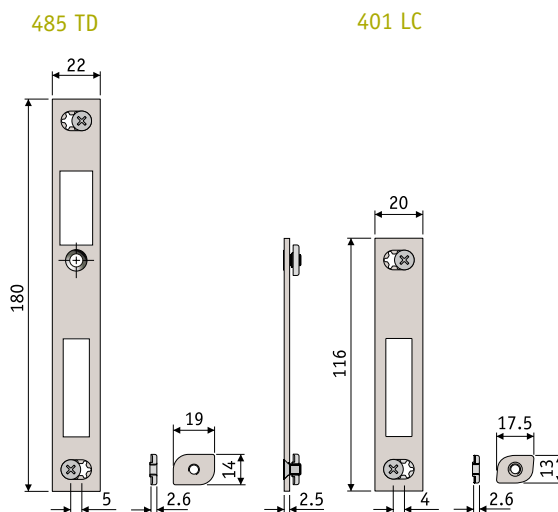
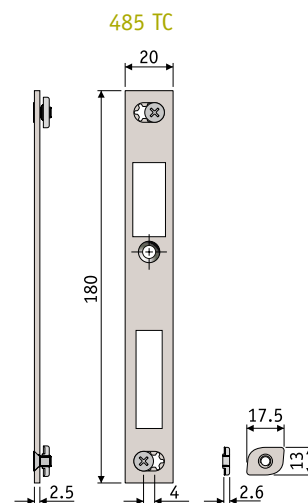
Strike plates ref. 485 TC, 485 TD, 401 LC and 401 LD are horizontally adjustable to 4mm and 5 mm.

Ref. For locks series

485 TC - 4mm 485 ER, 485 WR, 490 ER, 492 ER
 485 TD - 5mm 485 ER, 485 WR, 490 ER, 492 ER

401 LC - 4mm 401 EJ, 401 CJ
 401 LD - 5mm 401 EJ, 401 CJ

401 KD 401 CD

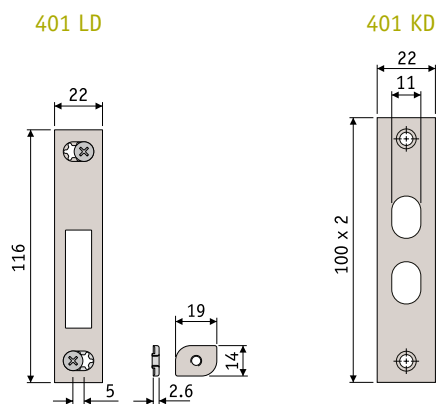


Options

- 6 Strike plate mm: 20 (C); 22 (D)
- 12 Material: SS 430 (I); SS 304 (J); brass (L)
- 13 Finish: satin (S)

Code

1	2	3	4	5	6	7	8	9	10	11	12	13
Q	4	8	5	T	C	5	H	D	A	H		S
Q	4	8	5	T	D	5	H	D	A	H		S
Q	4	0	1	L	C	5	H	L	A	H		S
Q	4	0	1	L	D	5	H	L	A	H		S
Q	4	0	1	K	D	4	C	L	R	H		S



Series 892 ER . 893 ER

Locks for pvc doors

Features

The hooks are operated by handle.
 The hooks deadlock and unlock by cylinder operation.
 These locks can be fitted with extensions 992 YB,
 992 WB and 992 VB through connector 992 IZ.

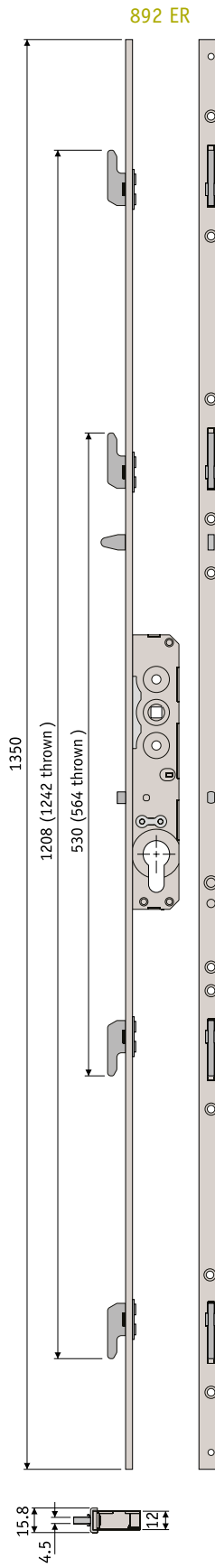
Options

- 7 Backset in mm: 20 (B)
- 9 Connector 992 IZ: with (W); without (U)
- 12 Forend: steel (F)
- 13 Finish: zinc plated (Z)

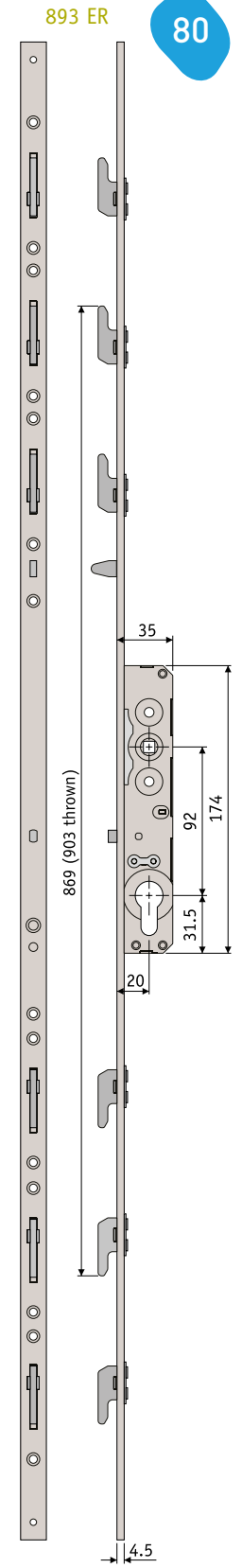
CASE 174 mm

Code

1	2	3	4	5	6	7	8	9	10	11	12	13
F	8	9	2	E	R	B	1		R	B	F	Z
F	8	9	3	E	R	B	1		R	B	F	Z



4 locking points



6 locking points

Series 992

Locks extensions for pvc doors

Features

The extensions length can be shortened by cutting.

Options

- 5 Extensions mm: 185 (V); 280 (W); 400 (Y)
- 12 Forend: steel (F)
- 13 Finish: zinc plated (Z)

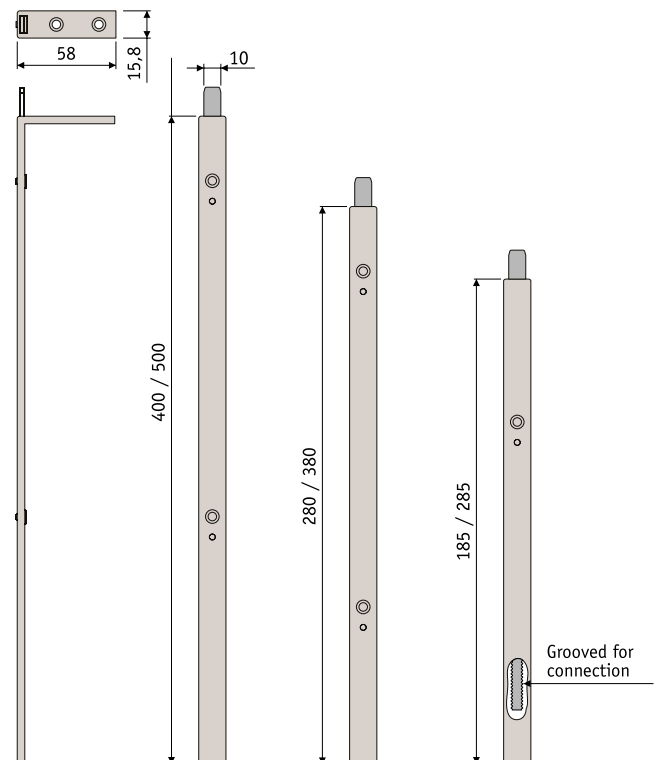
Code

1	2	3	4	5	6	7	8	9	10	11	12	13
Q	9	9	2		B	4	H	Z	A	H	F	Z
Q	9	9	2	I	Z	9	Z	Z	A	H	Z	Z

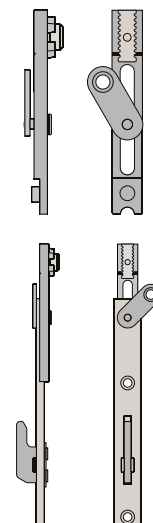
992 YB

992 WB

992 VB



992 IZ



Extension connector

Series 992 ZB . 993 ZB

Strike plate for pvc doors

Options

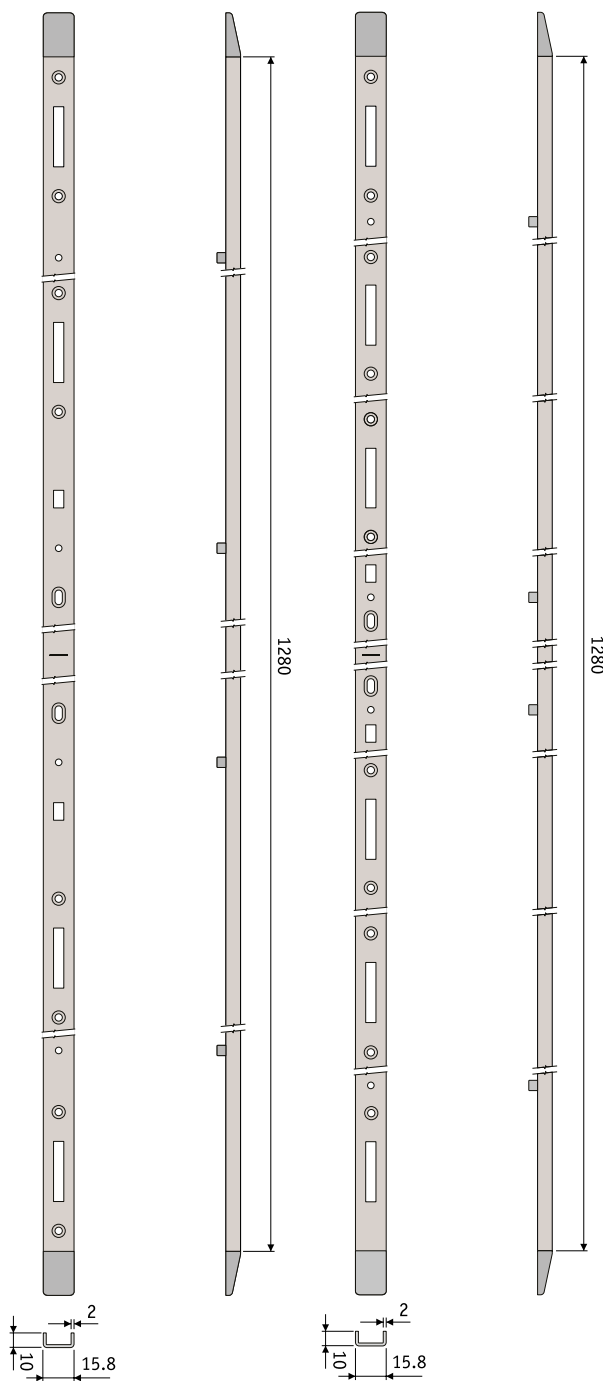
- 12 Material: steel (F)
- 13 Finish: zinc plated (Z)

Code

1	2	3	4	5	6	7	8	9	10	11	12	13
Q	9	9	2	Z	B	4	H	Z	R	H	F	Z
Q	9	9	3	Z	B	4	H	Z	R	H	F	Z

992 ZB

993 ZB



4 locking points

6 locking points

Series 800 PI

Gearbox for pvc windows

Features

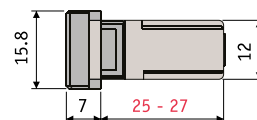
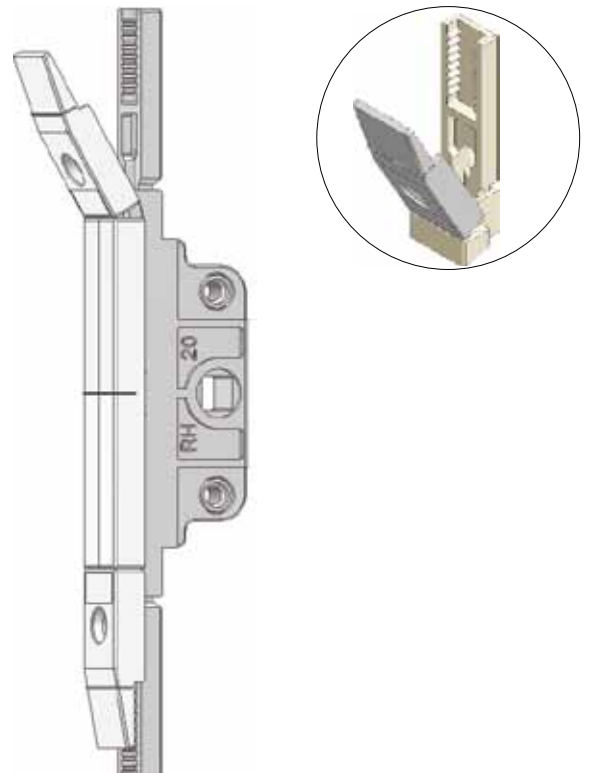
The gearbox is fitted with locking bars 900 ZB, 900 XB, 900 WB or 900 OB.
The locking bars are easily connected to the gearbox after being cut (in case total length needs to be shortened).

Options

- 7 Backset in mm: 20 (B); 22 (C)
- 12 Material: zinc alloy (Z)
- 13 Finish: zinc plated (Z)

Code

1	2	3	4	5	6	7	8	9	10	11	12	13
F	8	0	0	P	I		0	Z	R	B	Z	Z



Series 900

Gearboxes locking bars for pvc windows

Features

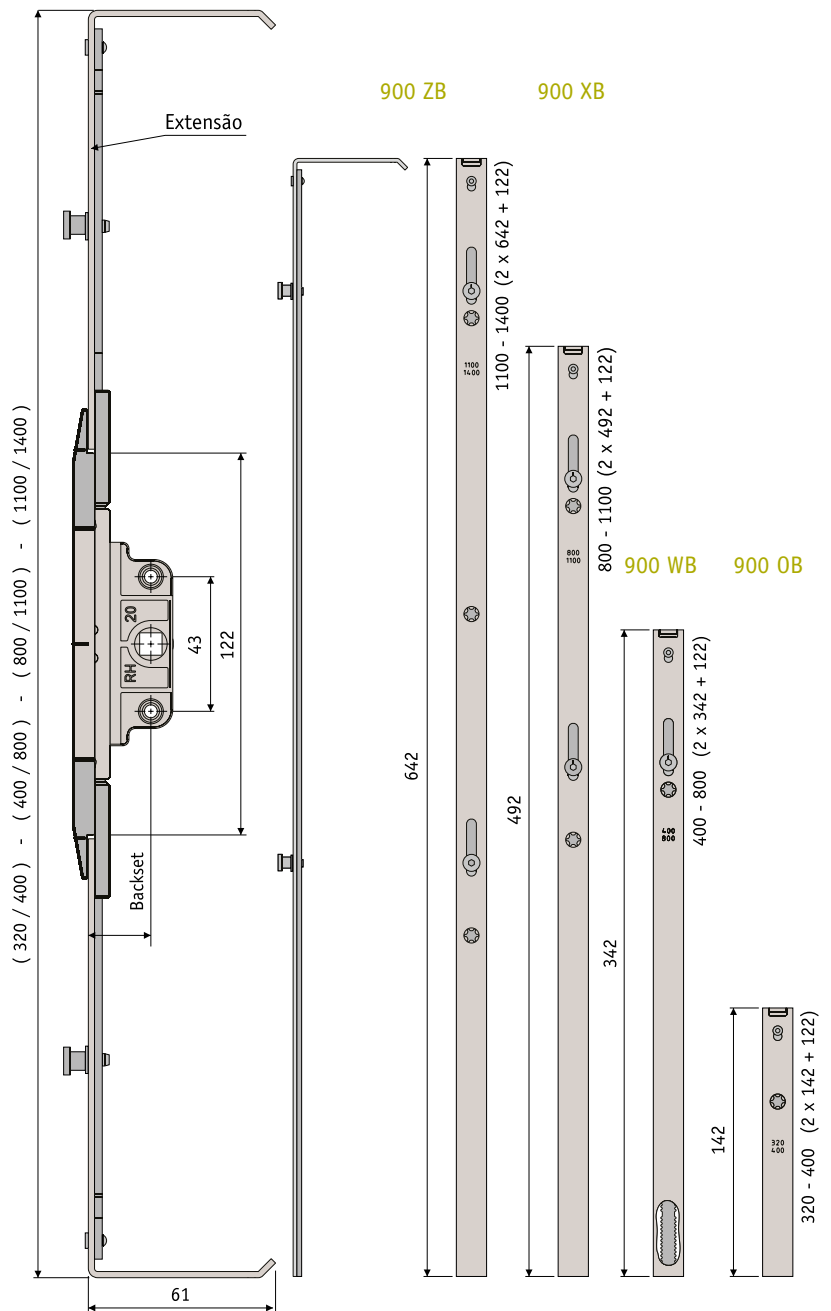
The bar sets include 2 locking bars.
Extensions length can be shortened by cutting.

Options

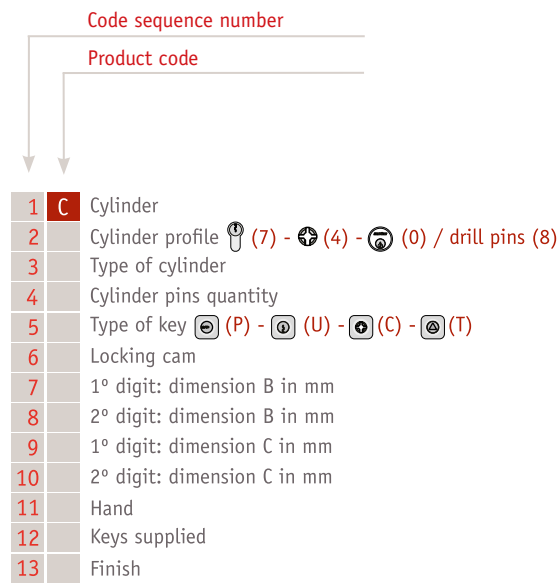
- 5 Locking bars mm: 142 (O); 342 (W); 492 (X); 642 (Z)
- 12 Material: steel (F)
- 13 Finish: zinc plated (Z)

Code

1	2	3	4	5	6	7	8	9	10	11	12	13
Q	9	0	0		B	4	H	C	A	H	F	Z



SECURITY CYLINDERS



PLEASE NOTE

To indicate the product to order please fill in the empty boxes of each product code.

MASTER KEY SYSTEMS EXAMPLES

ABBREVIATIONS

CE - common entrance

GMK - grand master key

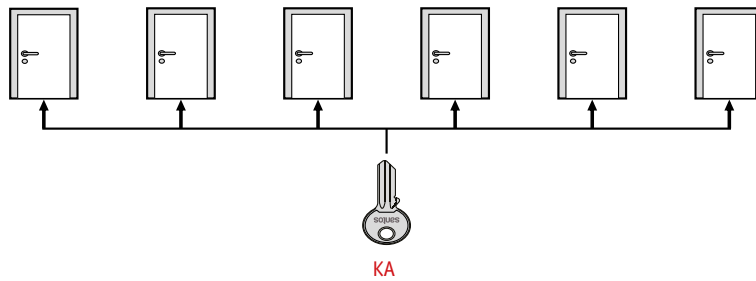
KA - keys alike

KD - keys to differ

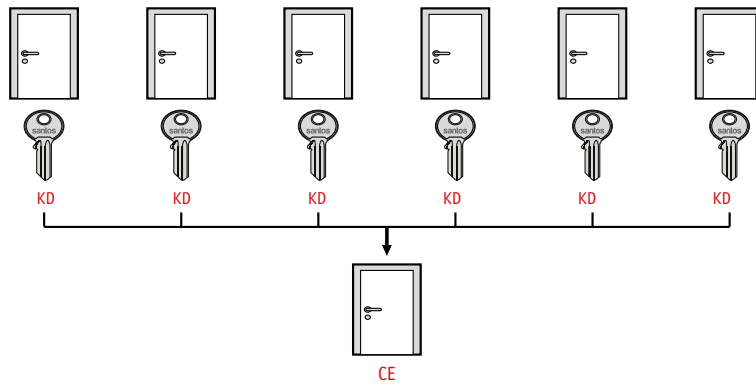
MK - master key

SMK - sub master key

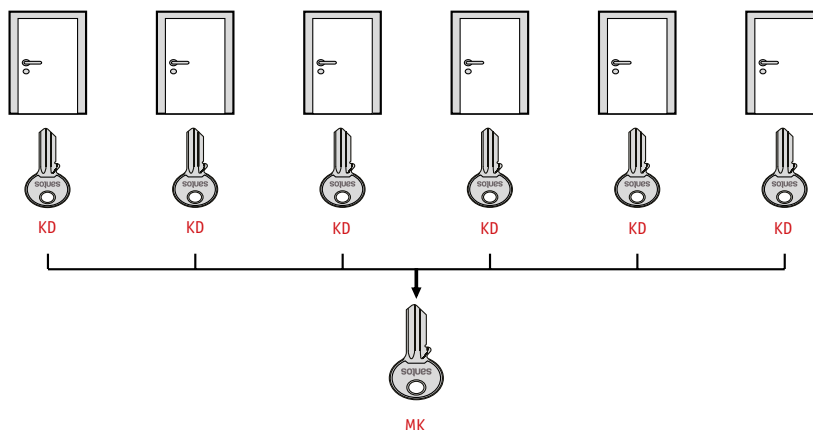
KEYS ALIKE SYSTEM



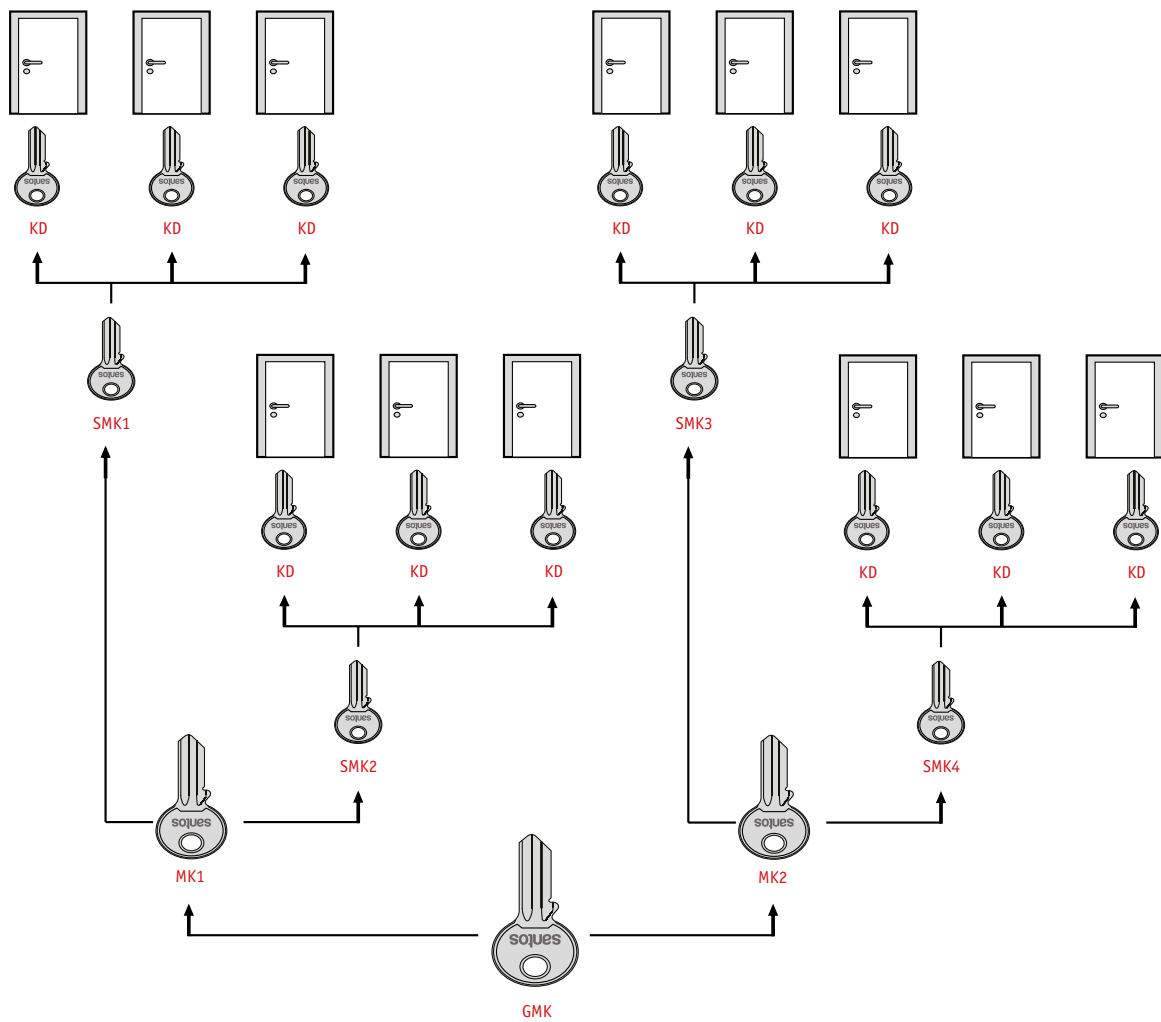
COMMON ENTRANCE SYSTEM



1 LEVEL MASTER KEY SYSTEM



3 LEVELS MASTER KEY SYSTEM



Series 724 U . 725 U . 726 U

Euro double cylinder

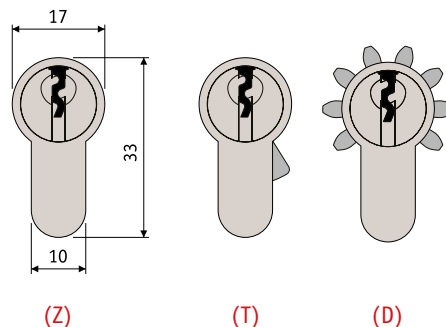
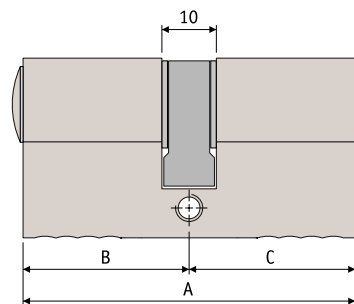
Features

- Body, plugs, pins and keys: solid brass.
- Springs: special bronze.
- Fixing screw: zinc plated steel.
- Optional: pick resistant mushroom pins.
- Optional: 825 U and 826 U with drill pins.
- Optional: cylinders with A= 61mm or A= 71mm are available with the possibility of being opened from the outside with key inserted inside - "EXT" system.
- NOTE: Other dimensions available by request.



Options

- 2 Type of pins: standard (7); drill resistant (8)
- 4 Pins quantity: 4+4 (4); 5+5 (5); 6+6 (6)
- 6 Locking cam: 0° (Z); 30° (T); gear (D)
- 7 8 Dimension B in mm: two first digits (e.g. B = 30,5 - 30)
- 9 10 Dimension C in mm: two first digits (e.g. C = 40,5 - 40)
- 11 Hand: right (D); left (E)
- 12 Keys supplied: 3 (3)
- 13 Finish: satin (S); nickel plated (N); satin nickel (M)



Dimensions mm	B	23,5	25,5	27,5	30,5	30,5	30,5	30,5	30,5	30,5	30,5	30,5	30,5	33,0	35,5	35,5	35,5	35,5	35,5	35,5	35,5	40,5	40,5	40,5	40,5	40,5	45,5	45,5	45,5	50,5
	C	23,5	25,5	27,5	30,5	35,5	40,5	45,5	50,5	55,5	60,5	65,5	70,5	33,0	35,5	40,5	45,5	50,5	55,5	60,5	65,5	40,5	45,5	50,5	55,5	60,5	45,5	50,5	55,5	50,5

Code

1	2	3	4	5	6	7	8	9	10	11	12	13
C		2	4	U							3	
C		2	5	U							3	
C		2	6	U							3	

Series 715 U . 716 U

Euro single cylinder

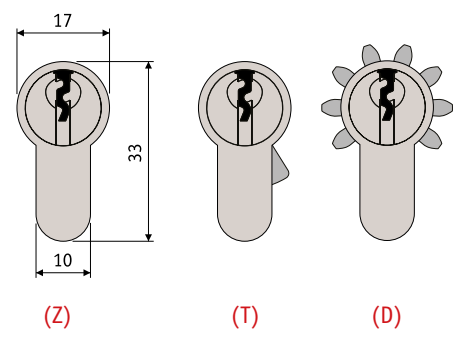
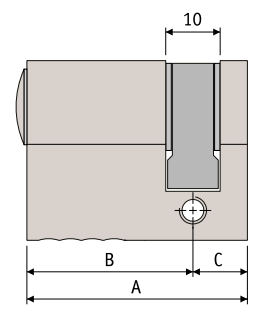
Features

- Body, plug, pins and keys: solid brass.
- Springs: special bronze.
- Fixing screw: zinc plated steel.
- Optional: pick resistant mushroom pins.
- Optional: 815 U and 816 U with drill pins.



Options

- 2 Type of pins: standard (7); drill resistant (8)
- 4 Pins quantity: 5 (5); 6 (6)
- 6 Locking cam: 0° (Z); 30° (T); gear (D)
- 7 8 Dimension B in mm: two first digits (e.g. B = 30,5 - 30)
- 11 Hand: right (D); left (E)
- 12 Keys supplied: 3 (3)
- 13 Finish: satin (S); nickel plated (N); satin nickel (M)



Dimensions in mm	B	27,5	30,5	35,5	40,5	45,5	50,5
	C	10,0	10,0	10,0	10,0	10,0	10,0

Code

1	2	3	4	5	6	7	8	9	10	11	12	13
C		1	5	U				1	0		3	
C		1	6	U				1	0		3	

Series 705 U . 706 U

Euro double cylinder & thumbturn

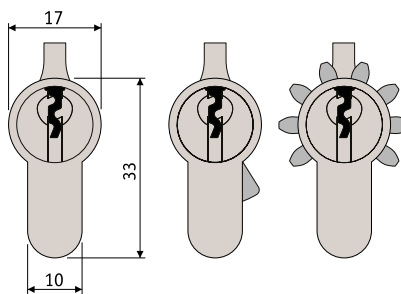
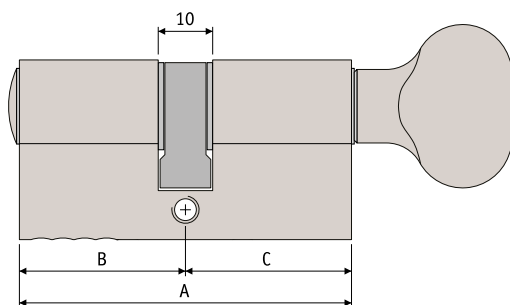
Features

Body, plugs, pins, thumbturn and keys: solid brass.
 Springs: special bronze.
 Fixing screw: zinc plated steel.
 Optional: pick resistant mushroom pins.
 Optional: 805 U and 806 U with drill pins.
 Optional: other thumbturn shapes available.
 NOTE: Other dimensions available by request.



Options

- 2 Type of pins: standard (7); drill resistant (8)
- 4 Pins quantity: 5 (5); 6 (6)
- 6 Locking cam: 0° (Z); 30° (T); gear (D)
- 7 8 Dimension B in mm: two first digits (e.g. B = 30,5 - 30)
- 9 10 Dimension C in mm: two first digits (e.g. C = 40,5 - 40)
- 11 Hand: right (D); left (E)
- 12 Keys supplied: 3 (3)
- 13 Finish: satin (S); nickel plated (N); satin nickel (M)



(Z) (T) (D)

Dimensions mm	B	30,5	30,5	30,5	30,5	30,5	33,0	35,5	35,5	35,5	35,5	35,5	35,5	40,5	40,5	40,5	40,5	40,5	40,5	50,5	50,5	50,5	50,5	55,5	55,5	55,5	55,5	60,5	60,5	60,5	65,5	65,5	70,5
	C	30,5	35,5	40,5	45,5	50,5	33,0	30,5	35,5	40,5	45,5	50,5	30,5	35,5	40,5	45,5	50,5	30,5	35,5	40,5	45,5	50,5	30,5	35,5	40,5	45,5	30,5	35,5	40,5	30,5	35,5	30,5	

Code

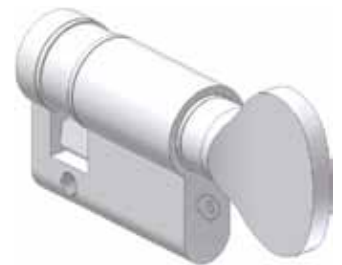
1	2	3	4	5	6	7	8	9	10	11	12	13
C		0	5	U							3	
C		0	6	U							3	

Series 700 HZ

Euro single cylinder & thumbturn

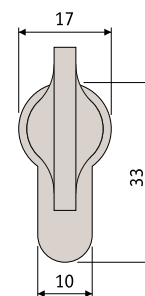
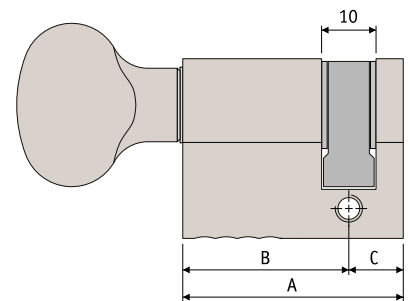
Features

Body, plug & thumbturn: solid brass.
 Fixing screw: zinc plated steel.
 Optional: other thumbturn shapes available.



Options

- 6 Locking cam: 0° (Z)
- 7 8 Dimension B in mm: two first digits (e.g. B = 30,5 - 30)
- 13 Finish: satin (S); nickel plated (N); satin nickel (M)



Dimensions mm	B	30,5	35,5	40,5	45,5	50,5
	C	10,0	10,0	10,0	10,0	10,0

Code

1	2	3	4	5	6	7	8	9	10	11	12	13
C	7	0	0	H	Z			1	0	H	0	

Series 730 HZ

Emergency euro double cylinder & thumbturn

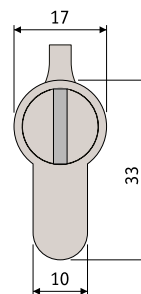
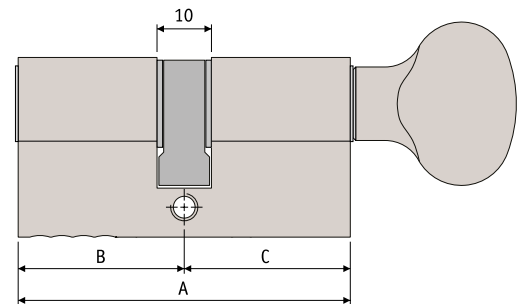
Features

- Body, plugs & thumbturn: solid brass.
- Fixing screw: zinc plated steel.
- Locks and unlocks on the inside by thumbturn.
- Emergency release on the outside.
- Optional: other thumbturn shapes available.
- Note: other dimensions available by request.



Options

- 6 Locking cam: 0° (Z)
- 7 8 Dimension B in mm: two first digits (e.g. B = 30,5 - 30)
- 9 10 Dimension C in mm: two first digits (e.g. C = 35,5 - 35)
- 13 Finish: satin (S); nickel plated (N); satin nickel (M)



Dimensions mm	B	30,5	35,5
	C	30,5	35,5

Code

1	2	3	4	5	6	7	8	9	10	11	12	13
C	7	3	0	H	Z					H	O	

Series 725 P

Euro double cylinder - dimple key

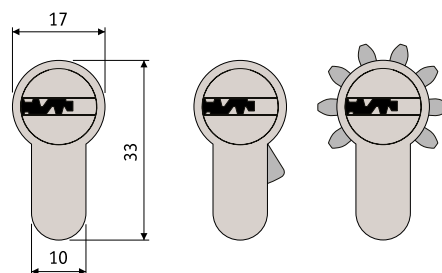
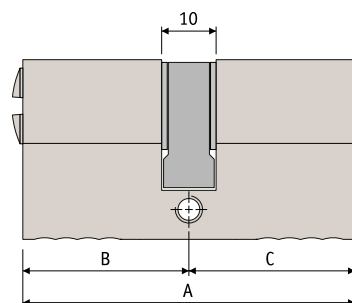
Features

- Body, plugs, pins and keys: solid brass.
- Springs: special bronze.
- Fixing screw: zinc plated steel.
- Optional: pick resistant mushroom pins.
- Optional: 825 P with drill pins.
- NOTE: Other dimensions available by request.



Options

- 2 Type of pins: standard (7); drill resistant (8)
- 4 Pins quantity: 5+5 (5)
- 6 Locking cam: 0° (Z); 30° (T); gear (D)
- 7 8 Dimension B in mm: two first digits (e.g. B = 30,5 - 30)
- 9 10 Dimension C in mm: two first digits (e.g. C = 40,5 - 40)
- 11 Hand: reversible (R)
- 12 Keys supplied: 3 (3); 5 (5)
- 13 Finish: satin (S); nickel plated (N); satin nickel (M)



(Z) (T) (D)

Dimensions mm	B	30,5	30,5	30,5	30,5	30,5	30,5	30,5	30,5	30,5	35,5	35,5	35,5	35,5	35,5	35,5	35,5	35,5	40,5	40,5	40,5	40,5	40,5	45,5	45,5	45,5	50,5
	C	30,5	35,5	40,5	45,5	50,5	55,5	60,5	65,5	70,5	35,5	40,5	45,5	50,5	55,5	60,5	65,5	40,5	45,5	50,5	55,5	60,5	45,5	50,5	55,5	55,5	50,5

Code

1	2	3	4	5	6	7	8	9	10	11	12	13
C		2	5	P						R		

Series 715 P

Euro single cylinder - dimple key

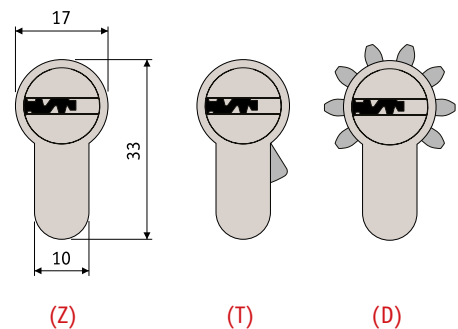
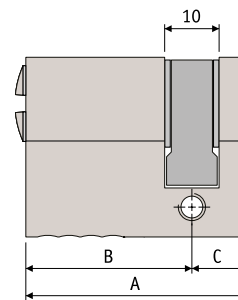
Features

- Body, plug, pins and keys: solid brass.
- Springs: special bronze.
- Fixing screw: zinc plated steel.
- Optional: pick resistant mushroom pins.
- Optional: 815 P with drill pins.



Options

- 2 Type of pins: standard (7); drill resistant (8)
- 4 Pins quantity: 5 (5)
- 6 Locking cam: 0° (Z); 30° (T); gear (D)
- 7 8 Dimension B in mm: two first digits (e.g. B = 30,5 - 30)
- 11 Hand: reversible (R)
- 12 Keys supplied: 3 (3); 5 (5)
- 13 Finish: satin (S); nickel plated (N); satin nickel (M)



Dimensions mm	B	30,5	35,5	40,5	45,5	50,5
	C	10,0	10,0	10,0	10,0	10,0

Code

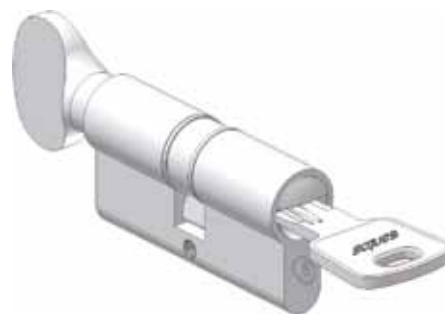
1	2	3	4	5	6	7	8	9	10	11	12	13
C		1	5	P					1	0	R	

Series 705 P

Euro double cylinder & thumbturn - dimple key

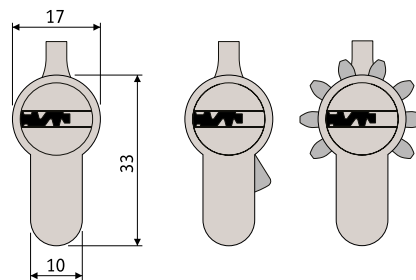
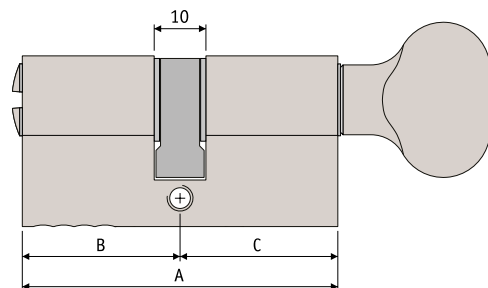
Features

- Body, plugs, pins, thumbturn and keys: solid brass.
- Springs: special bronze.
- Fixing screw: zinc plated steel.
- Optional: pick resistant mushroom pins.
- Optional: 805 P with drill pins
- Optional: other thumbturn shapes available.



Options

- 2 Type of pins: standard (7); drill resistant (8)
- 4 Pins quantity: 5 (5)
- 6 Locking cam: 0° (Z); 30° (T); gear (D)
- 7 8 Dimension B in mm: two first digits (e.g. B = 30,5 - 30)
- 9 10 Dimension C in mm: two first digits (e.g. C = 35,5 - 35)
- 11 Hand: reversible (R)
- 12 Keys supplied: 3 (3); 5 (5)
- 13 Finish: satin (S); nickel plated (N); satin nickel (M)



(Z) (T) (D)

Dimensions mm	B	30,5	30,5	30,5	30,5	30,5	35,5	35,5	35,5	35,5	35,5	40,5	40,5	40,5	40,5	50,5	50,5	50,5	50,5	50,5
	C	30,5	35,5	40,5	45,5	50,5	30,5	35,5	40,5	45,5	50,5	30,5	35,5	40,5	45,5	50,5	30,5	35,5	40,5	45,5

Code

1	2	3	4	5	6	7	8	9	10	11	12	13
C		0	5	P						R		

Series 710 TN

Euro cylinder for electrical cabinets

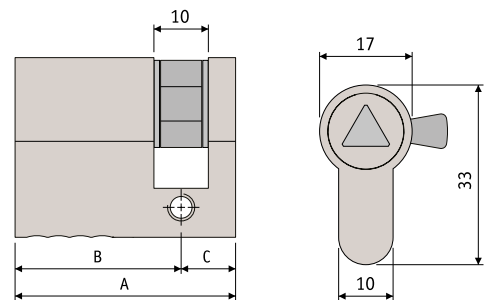
Features

Body and plug: solid brass.
 Fixing screw: zinc plated steel.
 Cam operation by triangular key.
 NOTE: Other dimensions available by request.



Options

- 5 Key type: triangular (T)
- 6 Locking cam: 90° (N)
- 12 Keys supplied: 0 (0)
- 13 Finish: satin (S); nickel plated (N); satin nickel (M)



Dimensions mm		
A	B	C
40,5	30,5	10,0

Code

1	2	3	4	5	6	7	8	9	10	11	12	13
C	7	1	0	T	N	3	0	1	0	U	0	

Series 214 VH

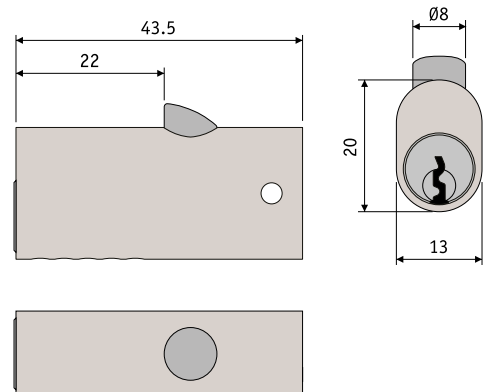
Oval cylinder for filing cabinets

Features

Body, plug, pins, snib and keys: solid brass.
Springs: special bronze.

Options

- 11 Hand: right (D); left (E)
- 13 Finish: satin (S); nickel plated (N); satin nickel (M)



Code

1	2	3	4	5	6	7	8	9	10	11	12	13
C	2	1	4	V	H	2	0	4	3		2	

Series 915 UP

Knobset cylinder

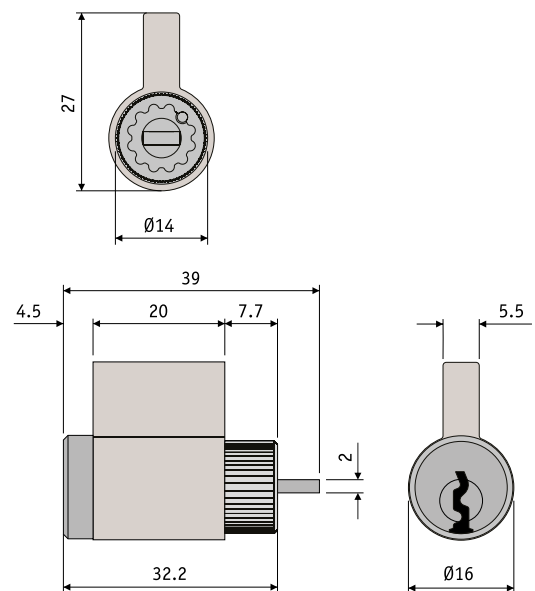
Features

Body, plug, pins, adjustment nut and keys: solid brass.
 Springs: special bronze.
 Optional: pick resistant mushroom pins.



Options

- 11 Hand: right (D); left (E)
- 13 Finish: satin (S); nickel plated (N); satin nickel (M)



Code

1	2	3	4	5	6	7	8	9	10	11	12	13
C	9	1	5	U	P	2	7	3	2		2	

Series **015 UP . 016 UP**

Rim cylinder

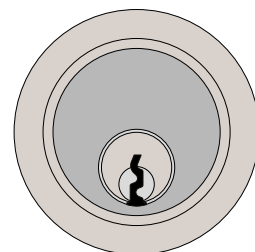
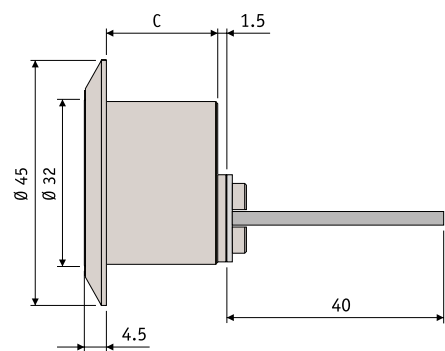
Features

Body, plug, pins, spacer ring and keys: solid brass.
 Springs: special bronze.
 Fixing screw: zinc plated steel.
 Connecting bar: zinc plated steel.
 Optional: pick resistant mushroom pins.



Options

- 4 Pins quantity: 5 (5); 6 (6)
- 9 10 Dimension C in mm: 20 (20); 24 (24)
- 11 Hand: right (D); left (E)
- 13 Finish: satin (S); nickel plated (N); satin nickel (M)



Code

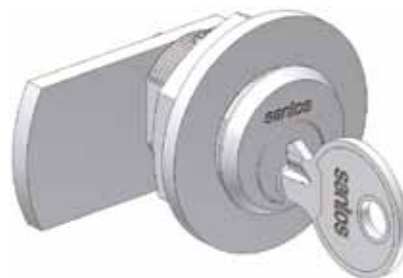
1	2	3	4	5	6	7	8	9	10	11	12	13
C	0	1	5	U	P	3	2	2	0		3	
C	0	1	6	U	P	3	2	2	4		3	

Series 014 DP

Cylinder for cabinets

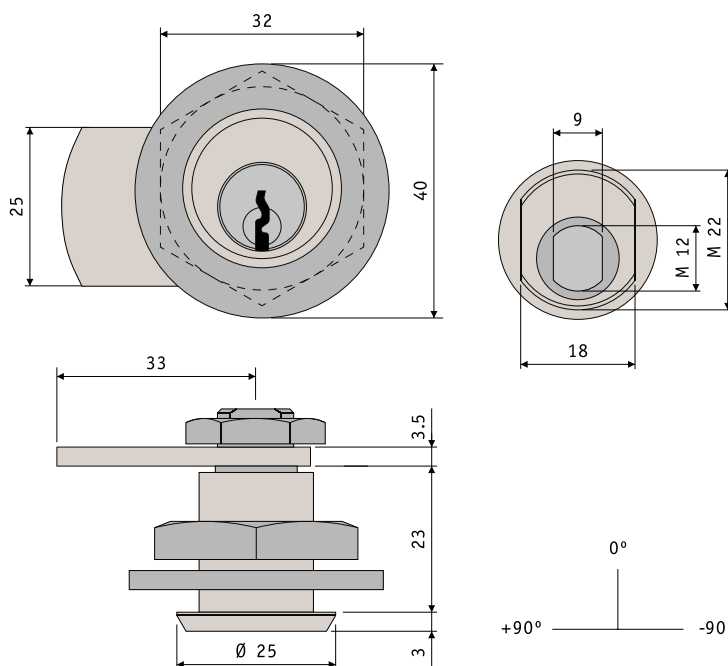
Features

- Body, plug, pins and keys: solid brass.
- Springs: special bronze.
- Fixing nuts: zinc plated steel.
- Key rotation: 0° to 90° or 0° to -90°.
- Key: removal at 0°.
- Locking plate assembly: 90°.
- Optional: spacer ring Ø 40 zinc plated steel.
- Note: other locking plates available.
- Note: other models and dimensions available by request.



Options

- 11 Hand: right (D); left (E)
- 13 Finish: nickel plated (N)



Code

1	2	3	4	5	6	7	8	9	10	11	12	13
C	0	1	4	D	P	2	5	2	6		0	N

Series 014 UP

Cylinder for cabinets

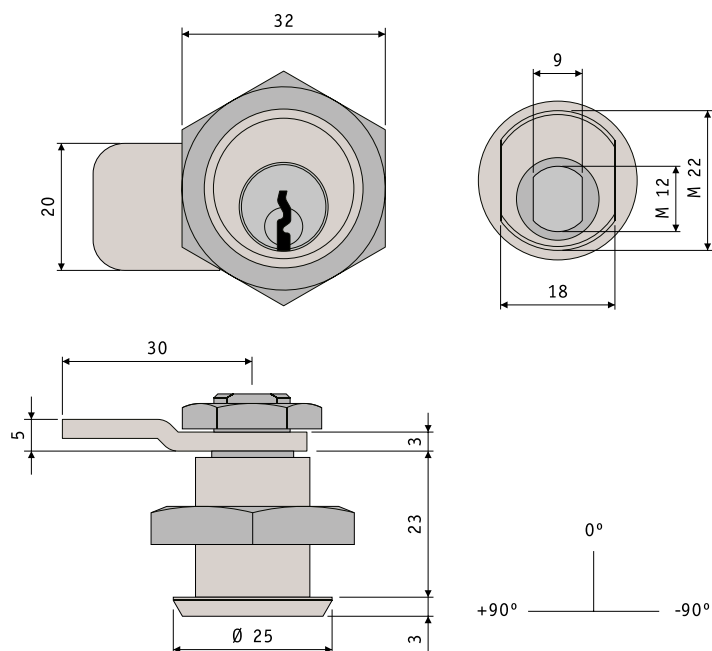
Features

- Body, plug, pins and keys: solid brass.
- Springs: special bronze.
- Fixing nuts: zinc plated steel.
- Key rotation: 0° to 90° or 0° to -90°.
- Key: removal at 0°.
- Locking plate assembly: 90°.
- Note: other locking plates available.
- Note: other models and dimensions available by request.



Options

- 11 Hand: right (D); left (E)
- 13 Finish: nickel plated (N)



Code

1	2	3	4	5	6	7	8	9	10	11	12	13
C	0	1	4	U	P	2	5	2	6		2	N

Series 015 VP

Cylinder for mail boxes

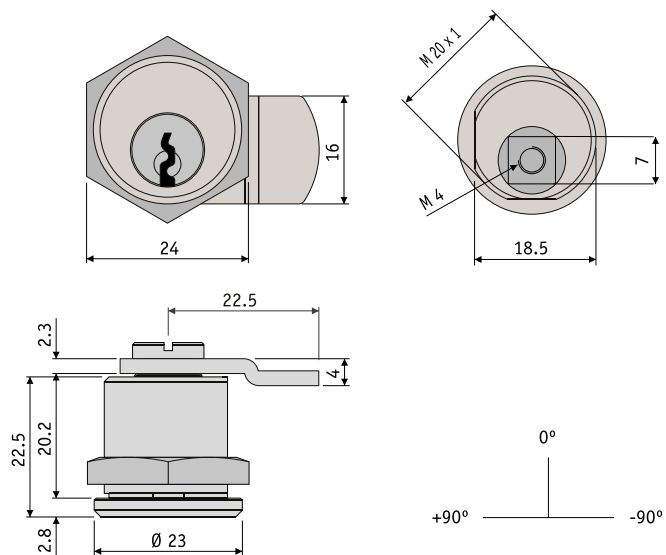
Features

- Body, plug, pins and keys: solid brass.
- Springs: special bronze.
- Fixing nut and locking cam fixing screw: zinc.
- Key rotation: 0° to -90°.
- Key removal at 0°.
- Locking plate assembly: 0°, 90°, 180° or 270°.
- Note: other locking plates available.
- Note: other models and dimensions available by request.



Options

- 11 Hand: right (D); left (E)
- 13 Finish: nickel plated (N)



Code

1	2	3	4	5	6	7	8	9	10	11	12	13
C	0	1	5	V	P	2	3	2	3		2	N

Series 013 VP

Cylinder for mail boxes

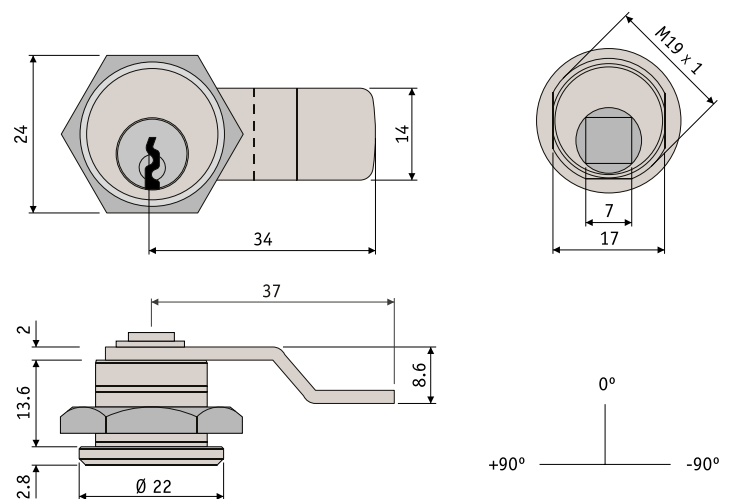
Features

- Body, plug, pins and keys: solid brass.
- Springs: special bronze.
- Fixing nut and locking cam fixing screw: zinc.
- Key rotation: 0° to -90°.
- Key removal at 0°.
- Locking plate assembly: 0°, 90°, 180° or 270°.
- Note: other locking plates available.
- Note: other models and dimensions available by request.



Options

- 11 Hand: right (D); left (E)
- 13 Finish: nickel plated (N)



Code

1	2	3	4	5	6	7	8	9	10	11	12	13
C	0	1	3	V	P	2	2	1	6		2	N

Series 015 VH

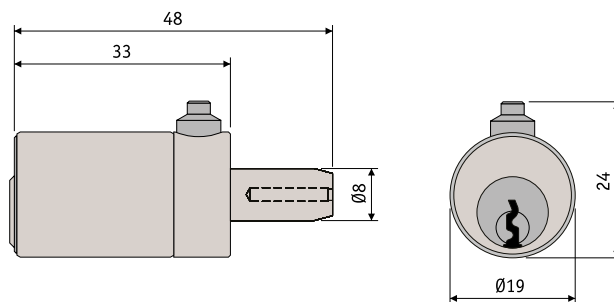
Push lock

Features

Body, plug, pins and keys: solid brass.
 Springs: special bronze.
 Tubular covering: brass.
 Keys with plastic bow.
 Snib: nickel plated steel.

Options

- 11 Hand: right (D); left (E)
- 13 Finish: nickel plated (N)



Code

1	2	3	4	5	6	7	8	9	10	11	12	13
C	0	1	5	V	H	1	9	3	3		2	N

Series 100

Locking Plates

Features

Flat with or without hook: D (0 mm).
 Stamped with or without hook: D (several dimensions).
 Note: other models and dimensions available by request.

Options

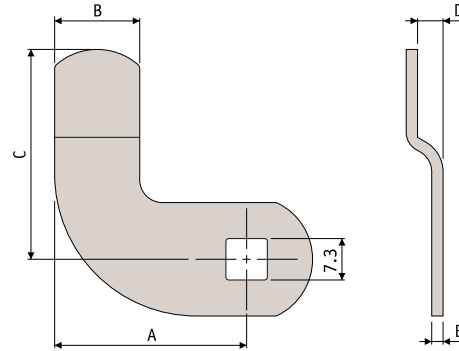
- 12 Material: steel (F); SS 430 (I)
- 13 Finish: zinc plated (Z); satin (S)

Code	Dimensions mm				
	A	B	C	D	E
126 QQ	26.5	15	37	4.5	2.0
122 QU	22.5	16	-	1.7	2.0
122 QD	22.5	14	-	2.0	2.0
130 QD	30.0	20	-	2.0	3.0
133 PZ	33.0	25	-	0	3.5
126 PZ	26.0	14	24	0	2.0
137 QT	37.0	14	-	6.5	2.0

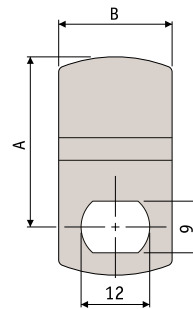
Code

1	2	3	4	5	6	7	8	9	10	11	12	13
Q	1	2	6	Q	Q	4	Q	E	R	H		
Q	1	2	2	Q	U	4	Q	F	H	H		
Q	1	2	2	Q	D	4	Q	D	H	H		
Q	1	3	0	Q	D	6	O	J	H	H		
Q	1	3	3	P	Z	7	O	O	H	H		
Q	1	2	6	P	Z	4	Q	D	H	H		
Q	1	3	7	Q	T	4	Q	D	H	H		

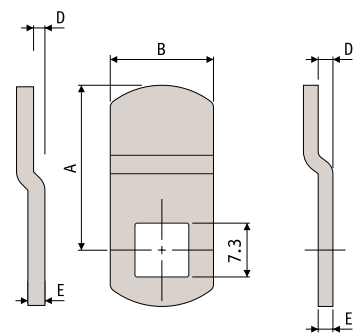
126 QQ



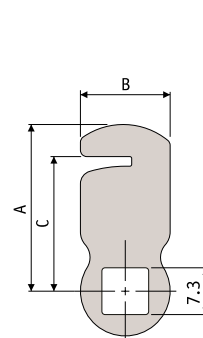
130 QD . 133 PZ



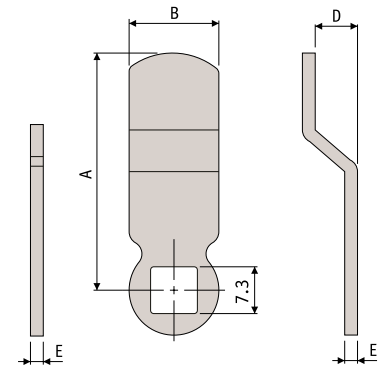
122 QU . 122 QD



126 PZ



137 QT



Series 701 VB . 701 UB . 701 PB

Key blanks for cylinders

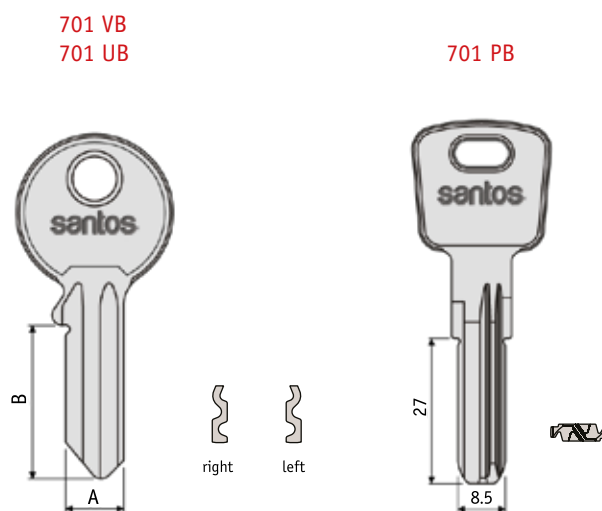
Features

Brass nickel plated keys.

Options

- 5 Dimension A in mm: 7,0 (V); 8,5 (U)
- 7 8 Dimension B in mm
- 11 Hand: right (D); left (E)

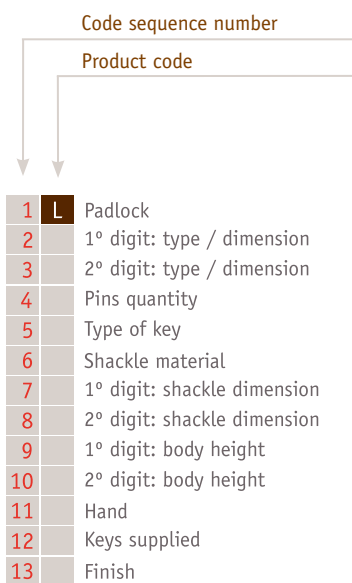
Dimensions mm			
A	B	A	B
7	15	8,5	20
7	18	8,5	22
7	20	8,5	24
		8,5	25
		8,5	27
		8,5	30



Code

1	2	3	4	5	6	7	8	9	10	11	12	13
X	7	0	1	V	B			0	0		L	N
X	7	0	1	U	B			0	0		L	N
X	7	0	1	P	B	2	7	0	0	R	L	N

SECURITY PADLOCKS



PLEASE NOTE

To indicate the product to order please fill in the empty boxes of each product code.

Series 203 V

Safety padlock

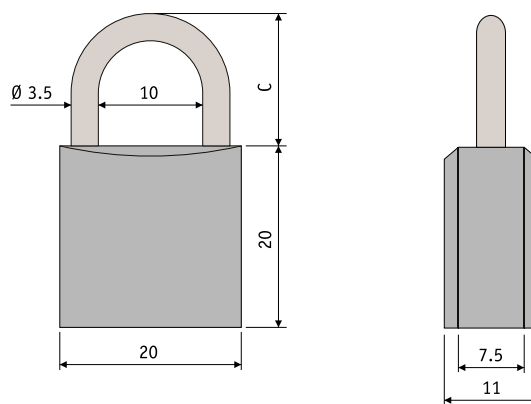
Features

Body, plug, pins, keys and bolts: solid brass.
 Springs: stainless steel and special bronze.
 Shackle opens with a 1/4 of key turn.
 Optional: keys alike.



Options

- 6 Shackle material: nickel plated hardened steel (A);
nickel plated brass (L); stainless steel 303 (I)
- 7 8 Dimension C in mm: 16 (16)
- 11 Hand: right (D); left (E)
- 13 Finish: satin (S)



Code

1	2	3	4	5	6	7	8	9	10	11	12	13
L	2	0	3	V		1	6	2	0		2	S

Series 253 V

Safety padlock

Features

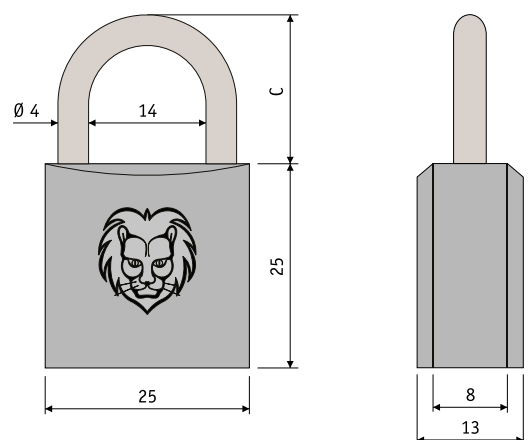
Body, plug, pins, keys and bolts: solid brass.
 Springs: stainless steel and special bronze.
 Shackle opens with a 1/4 of key turn.
 Optional: keys alike.



Options

- 6 Shackle material: nickel plated hardened steel (A);
nickel plated brass (L); stainless steel 303 (I)
- 7 8 Dimension C in mm: 18 (18); 30 (30)
- 11 Hand: right (D); left (E)
- 13 Finish: satin (S)

Dimensions mm
C
18,0
30,0



Code

1	2	3	4	5	6	7	8	9	10	11	12	13
L	2	5	3	V				2	5		2	S

Series 304 V

Safety padlock

Features

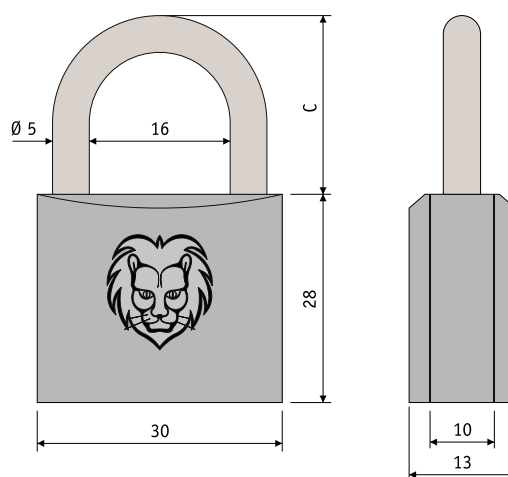
Body, plug, pins, keys and bolts: solid brass.
 Springs: stainless steel and special bronze.
 Shackle opens with a 1/4 of key turn.
 Optional: keys alike.



Options

- 6** Shackle material: nickel plated hardened steel (A); nickel plated brass (L); stainless steel 303 (I)
- 7 8** Dimension C in mm: 21 (21); 34 (34)
- 11** Hand: right (D); left (E)
- 13** Finish: satin (S)

Dimensions mm
C
21,0
34,0



Code

1	2	3	4	5	6	7	8	9	10	11	12	13
L	3	0	4	V				2	8		2	S

Series 405 V

Safety padlock

Features

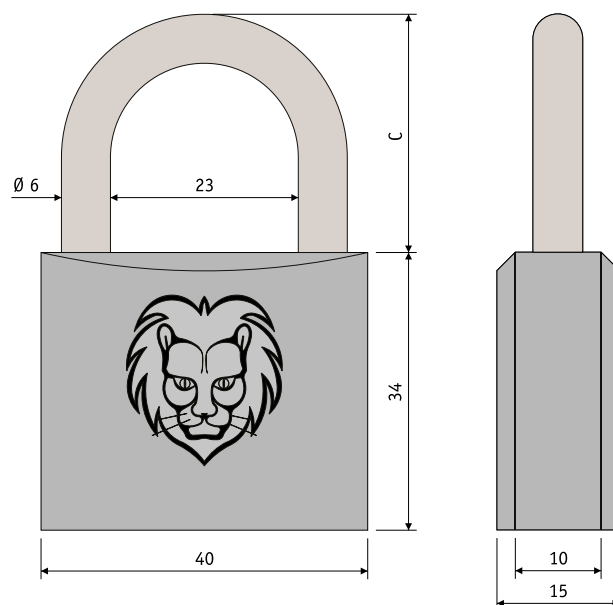
Body, plug, pins, keys and bolts: solid brass.
 Springs: stainless steel and special bronze.
 Shackle opens with a 1/4 of key turn.
 Optional: keys alike.



Options

- 6** Shackle material: nickel plated hardened steel (A); nickel plated brass (L); stainless steel 303 (I)
- 7 8** Dimension C in mm: 30 (30); 73 (73)
- 11** Hand: right (D); left (E)
- 13** Finish: satin (S)

Dimensions mm
C
30,0
73,0



Code

1	2	3	4	5	6	7	8	9	10	11	12	13
L	4	0	5	V				3	4		2	S

Series 505 V

Safety padlock

Features

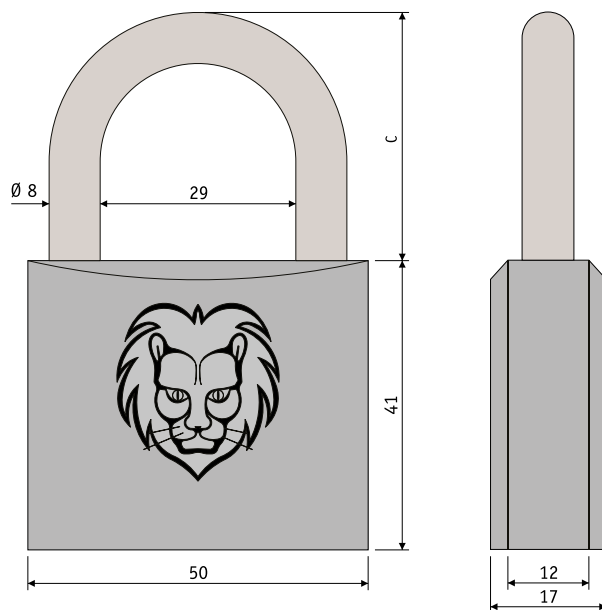
- Body, plug, pins, keys and bolts: solid brass.
- Springs: stainless steel and special bronze.
- Shackle opens with a 1/4 of key turn.
- Optional: keys alike or master keyed.
- Optional: can be master keyed under same suite of cylinders.



Options

- 6 Shackle material: nickel plated hardened steel (A); nickel plated brass (L); stainless steel 303 (I)
- 7 8 Dimension C in mm: 38 (38); 108 (08)
- 11 Hand: right (D); left (E)
- 13 Finish: satin (S)

Dimensions mm
C
38,0
108,0



Code

1	2	3	4	5	6	7	8	9	10	11	12	13
L	5	0	5	V				4	1		2	S

Series 301 VB . 701 WB

Key blanks for padlocks

Features

Brass nickel plated keys.

Options

7 8 Dimension B in mm: two first digits (e.g. B = 16 - 16)

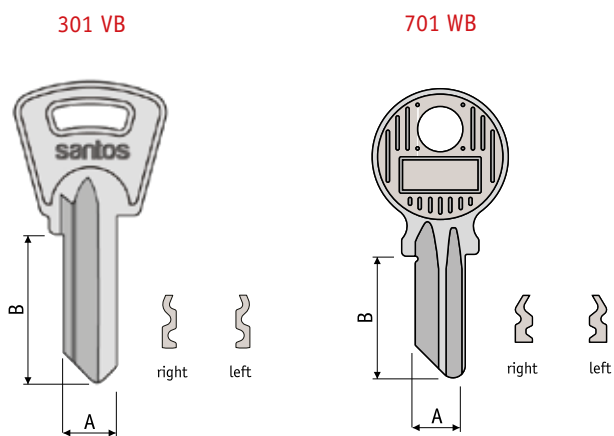
11 Hand: right (D); left (E)

301 VB

Dimensions mm	
A	B
7	16
7	19
7	23

701 WB

Dimensions mm	
A	B
5,5	13,5



Code

1	2	3	4	5	6	7	8	9	10	11	12	13
X	3	0	1	V	B			0	0		L	N
X	7	0	1	W	B	1	3	0	0		L	N