



GEZE TS 1500 / TS 2000 / TS SYSTEM 4000
OVERHEAD DOOR CLOSERS WITH LINK ARM



CONTENTS

Overview table GEZE System TS 4000/TS 2000	4
Technics - GEZE overhead door closer TS 4000 / TS 2000	6
General product functions and information	7
Overhead door closers for single-leaf doors	
GEZE TS 1000 C	8
GEZE TS 1500	11
GEZE TS 2000 NV	15
GEZE TS 2000 V	20
GEZE TS 4000 size 1-6	24
GEZE TS 4000 size 5-7	30
GEZE TS 4000 E	35
GEZE TS 4000 R	40
Overhead door closers with freeswing function	
GEZE TS 4000 EFS	44
GEZE TS 4000 RFS	49
Overhead door closer systems for double-leaf doors	
GEZE TS 4000 IS	53
GEZE TS 4000 E-IS	58
GEZE TS 4000 R-IS	64
Overhead door closer for single-leaf doors and gates	
GEZE TS 4000 Tandem	68
Accessories	
GEZE smoke switch control unit RSZ 6	72
General product information	
Cover caps for GEZE door closers	74
Product information for door closers	75
References	76

Overview table for GEZE system TS 2000 / TS 4000

For single-leaf doors

	TS 1000 C	TS 1500	TS 2000 NV	TS 2000 V	TS 4000 size 1-6	TS 4000 size 5-7	TS 4000 E	TS 4000 R	TS 4000 EFS	TS 4000 RFS	TS 4000 Tandem
Approval for fire and smoke protection doors			•		•	•	•	•	•	•	•
Barrier-free accessibility in accordance with DIN 18040 up to leaf width (max.) in mm	EN3 950	EN4 1100	EN4 1100	EN4 1100	EN4 1100		FSA	FSA	FSA FL	FSA FL	
Closing force acc. to EN 1154	2/3	3/4	2-4	2/4/5	1-6	5-7	1-6	1-6	1-6	1-6	> 7
Door leaf width (max.) in mm	950	1100	1100	1250	1400	1600	1400	1400	1400	1400	>1600

Application possibilities

Door leaf installation, hinge side	•	•	•	•	•	•	•		•		•
Transom installation, hinge side							• ⁶⁾	• ⁶⁾		• ⁶⁾	
Opening angle (max.) hinge side ⁸⁾	180°	180°	180°	180°	180°	180°	180°	180°	180°	180°	180°
Door leaf installation, opposite hinge side			• ⁷⁾	• ⁷⁾	• ⁷⁾	• ⁷⁾					• ⁷⁾
Transom installation, opposite hinge side	•	•	•	•	•	•	•	•	•	•	•

Functions

Adjustable closing force	•	•	•	•	•	•	•	•	•	•	•
Adjustable back check			• ²⁾	• ²⁾	•	•					•
Adjustable hydraulic latching action	•	•	•	•	•	•	•	•	•	•	•
Adjustable delayed closing action					• ¹⁾						
Adjustable closing speed	•	•	•	•	•	•	•	•	•	•	•
Mechanical hold-open device ³⁾	•	•	•	•	•	• ⁴⁾					
Electric hold-open device							•	•			
Electric hold-open device for freeswing									•	•	
Integrated smoke switch control unit								•		•	
Integrated closing sequence control											

• = yes

¹⁾ Model TS 4000 S with delayed closing action²⁾ Model TS 2000 NV BC/TS 2000 V BC³⁾ Not for F and RD doors⁴⁾ Hold-open linkage only effective up to EN6⁵⁾ System solution comprising a TS 4000 IS/ E-IS/ R-IS on the active leaf in combination with a TS 4000/E/R-IS second unit on the fixed leaf and release mechanism in the frame⁶⁾ Only with guide rail, closing force EN3, no DIBt approval⁷⁾ In parallel arm installation⁸⁾ Opening angle (max.) opposite hinge side, see chapter: Further information for overhead door closers

FSA = Hold-open system

FSA FL = Freeswing locking system

For double-leaf doors

	TS 4000 IS ⁵⁾	TS 4000 E-IS ⁵⁾	TS 4000 R-IS ⁵⁾
Approval for fire and smoke protection doors	•	•	•
Barrier-free accessibility in accordance with DIN 18040 up to leaf width (max.) in mm	EN4 1100	FSA	FSA
Closing force acc. to EN 1154	1-6	1-6	1-6
Door leaf width (max.) in mm	1400	1400	1400

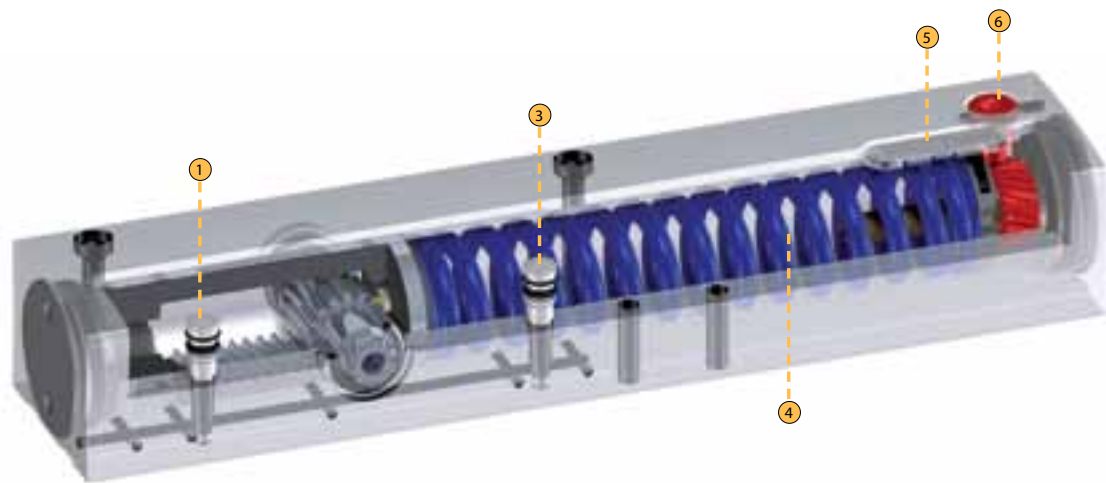
Application possibilities

Door leaf installation, hinge side	•	•	
Transom installation, hinge side			
Opening angle (max.) hinge side ⁸⁾	180°	180°	- ⁸⁾
Door leaf installation, opposite hinge side			
Transom installation, opposite hinge side	•	•	•

Functions

Adjustable closing force	•	•	•
Adjustable back check			
Hydraulic latching action	•	•	•
Adjustable delayed closing action			
Adjustable closing speed	•	•	•
Mechanical hold-open device ³⁾	•		
Electric hold-open device		•	•
Electric hold-open device for freeswing			
Integrated smoke switch control unit			•
Integrated closing sequence control	•	•	•

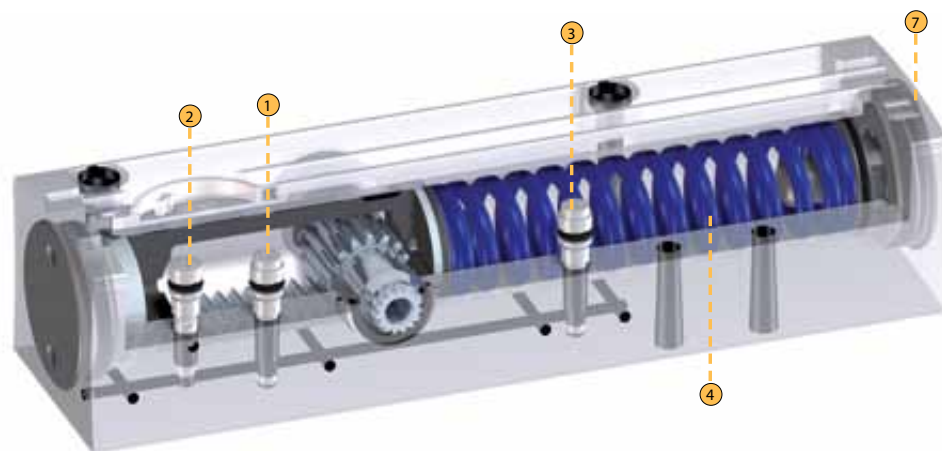
Technics - GEZE overhead door closer TS 4000



Legende

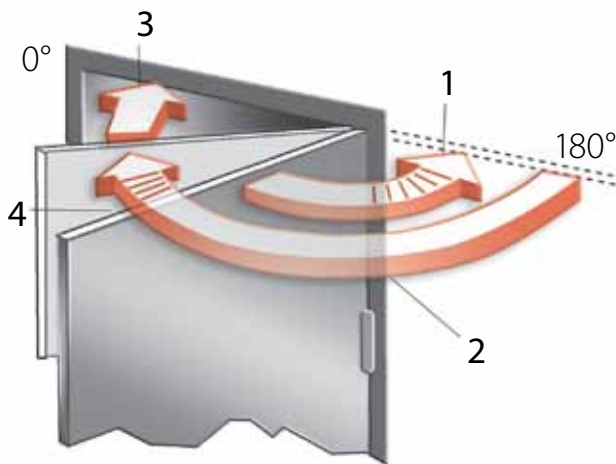
- ① Closing speed adjustment
- ② Latching action adjustment
- ③ Back check adjustment
- ④ Spring package
- ⑤ Closing force display
- ⑥ Closing force adjustment in front
- ⑦ Closing force adjustment on the side

Technics - GEZE overhead door closer TS 2000 NV BC



General product functions and information

GEZE door closers with link arm



1) Back check

When doors are pushed open forcefully by approximately 90°, this function is activated in order to slow them down. However, it must not be used as a substitute for separate measures designed to limit the opening angle (such as a door stopper or other structural methods), e.g. in the case of doors that open outwards or are liable to blow in the wind.

2) Closing speed

The speed at which a door closes can be set on an individual basis.

3) Latching action

When the door is just a few degrees away from reaching the closed position, this function increases the door speed in order to overcome any closing resistance (e.g. in the form of air resistance).

4) Delayed closing action

This function reduces the closing speed of a door or stops the door so that people have enough time to get through it.

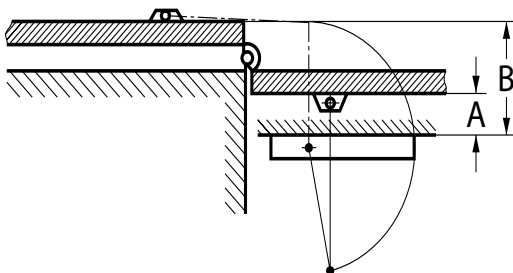
GEZE door closers with adjustable closing force:

The relevant standards stipulate that the door closer size (closing force of the closer) must be selected in accordance with the door leaf width. Where necessitated by the structural (door height, door weight) or local conditions (wind), the next size up must be set.

The GEZE TS 4000, TS 2000 and related versions offer several door closer sizes in one housing. The desired size can be selected by means of an adjustment screw or by altering the installation position. The TS 4000 features an indicator so you can see which size is currently selected.

Door closing force acc. to EN standard	Door leaf width (mm)
Size 1	up to 750
Size 2	over 750 up to 850
Size 3	over 850 up to 950
Size 4	over 950 up to 1100
Size 5	over 1100 up to 1250
Size 6	over 1250 up to 1400
Size 7	over 1400 up to 1600

Specially designed for installation on opposite hinge side



Dimension A = reveal depth

Dimension B = reveal depth +2 door thickness
+2 pivot point distance

If a door is to be opened 180°,
dimension A = 70 mm and
dimension B = 200 mm
must not be exceeded.

GEZE TS 1000 C

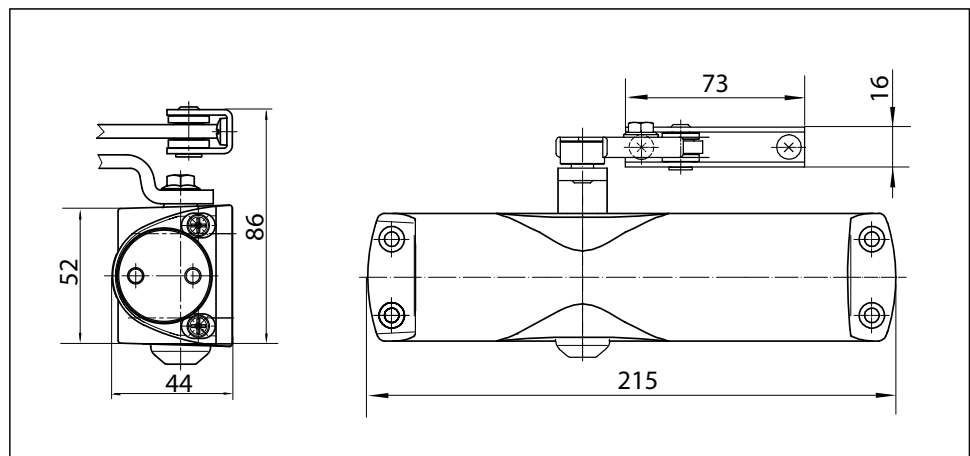
Link arm door closer for single-leaf doors with a leaf width up to 950 mm

The overhead door closer is suitable for single-leaf doors with a leaf width up to 950 mm. The closing speed and hydraulic latching action can be adjusted. There are two different closing force settings, which can be selected simply by turning the bearing block for the link arm: 'Weak' closing force (size 2 acc. to EN 1154) for door leaf widths up to 850 mm and "strong" closing force (size 3 acc. to EN 1154) for door leaf widths up to 950 mm. The door closer is available with an optional mounting plate. This makes it suitable for left and right single-action doors without the need for conversion.

Special version:

- GEZE TS 1000 C with hold-open linkage featuring adjustable hold-open angle of between 70° and 150°

GEZE TS 1000 C



Application range

- For internal doors
- For single-action doors, leaf width up to 950 mm
- Compatible with left-hand and right-hand doors without the need for conversion
- Standard installation on door leaf, hinge side; transom installation on opposite hinge side also possible

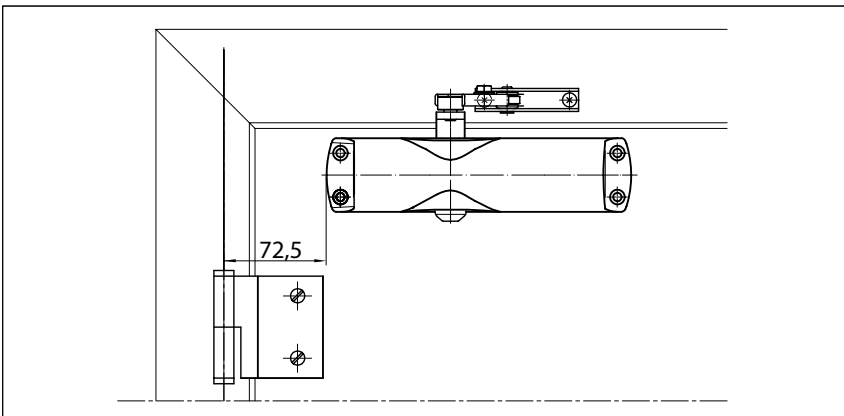
Closer technical data

Product features	GEZE TS 1000 C closer
Closing force in accordance with EN 1154	2/3
Leaf width recommended up to	950 mm
Identical version DIN-L and DIN-R	●
Product tested in acc. with	Door closer tested in acc. with EN 1154
Length	215 mm
Installation depth	44 mm
Height	52 mm
Functions	
Adjustable closing force	● via mounting
Adjustable closing speed	●
Adjustable latching action	● via valve
Integrated back check	○
Closing force adjustment position	Mounting position

● = yes
○ = no

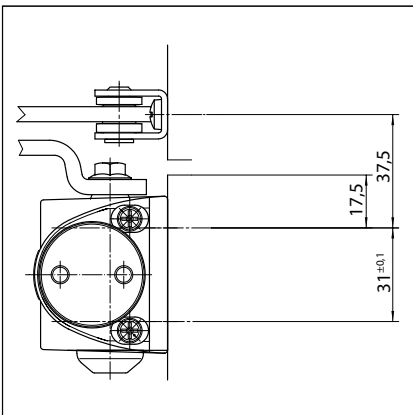
Door leaf installation/hinge side TS 1000 C

View

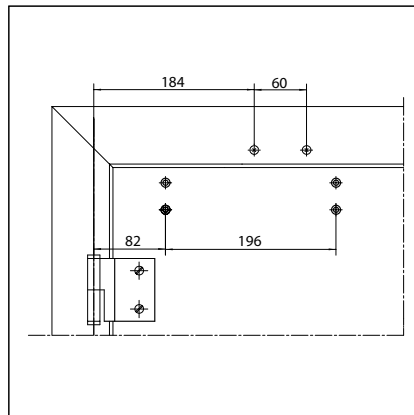


Installation example for GEZE TS 1000 C

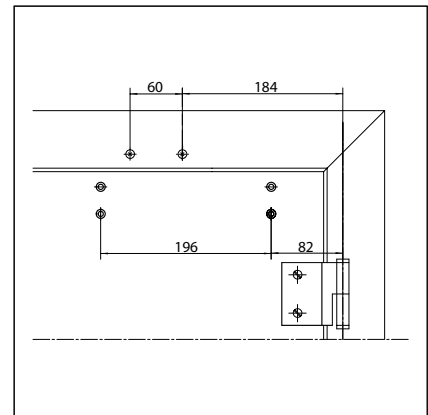
Direct installation



Cross section = direct installation

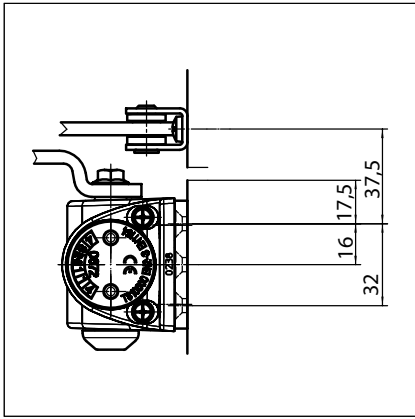


Fitting dimensions for left-hand door

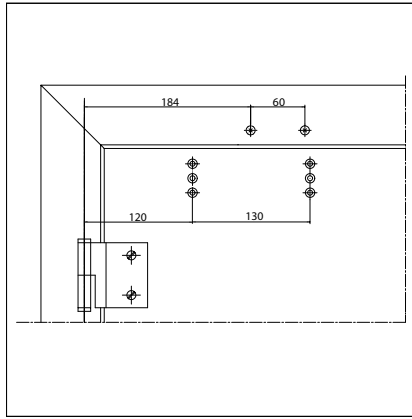


Fitting dimensions for right-hand door

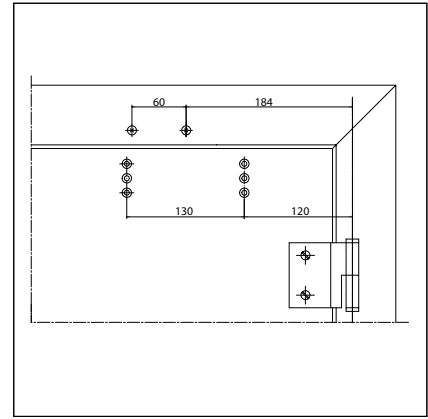
Installation with mounting plate



Cross section = installation with mounting plate



Fitting dimensions for left-hand door



Fitting dimensions for right-hand door

GEZE TS 1000 C - Order information

Designation	Version	ID.No.
GEZE TS 1000 C complete package ²⁾ Size EN 2/3, with hold-open linkage	silver-coloured	101771
	dark bronze	101772
	white RAL 9016	101773
	black RAL 9005	119574
	brass-coloured	101777
GEZE TS 1000 C complete package Size EN 2/3, with link arm	acc. to RAL	101776
	silver-coloured	101765
	dark bronze	101766
	white RAL 9016	101767
	black RAL 9005	119573
Link arm TS 1500/1000C ²⁾ With mechanical hold-open device	brass-coloured	101770
	acc. to RAL	101769
	silver-coloured	101815
	dark bronze	101816
	white RAL 9016	101817
Link arm TS 1500/1000C Standard	acc. to RAL ¹⁾	101818
	silver-coloured	101878
	dark bronze	101879
	white RAL 9016	101881
	acc. to RAL ¹⁾	101882
Installation material		
Door closer mounting plate For TS 1000 C	silver-coloured	072019
	dark bronze	072020
	white RAL 9016	072021
	black RAL 9005	072022

1) Surcharge for special RAL colours, see general information

2) Not approved for fire and smoke protection doors in Germany

GEZE TS 1500

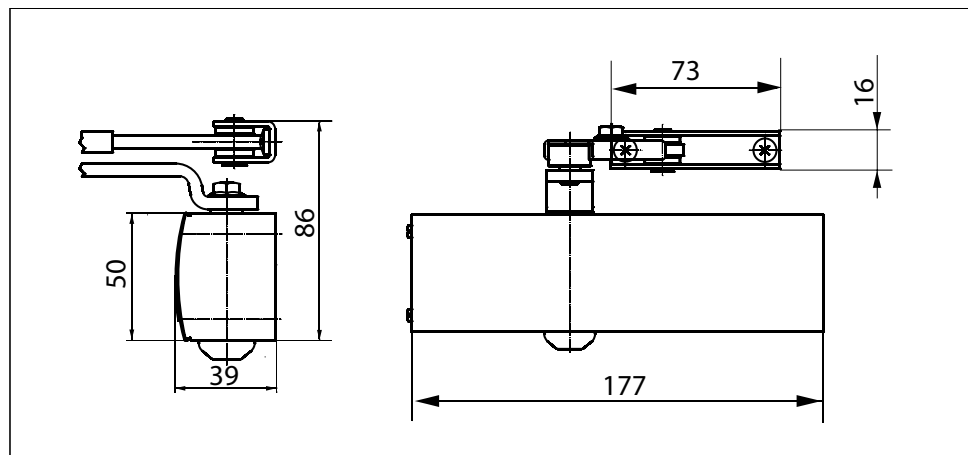
Link arm door closer for single-leaf doors with a leaf width up to 1100 mm

TS 1500 overhead door closer is suitable for single-leaf doors with a leaf width up to 1100 mm. The closing speed and hydraulic latching action can be adjusted. There are two different closing force settings, which can be selected simply by turning the bearing block for the link arm: 'Weak' closing force (size 3 acc. to EN 1154) for door leaf widths up to 950 mm and "strong" closing force (size 4 acc. to EN 1154) for door leaf widths up to 1100 mm. The door closer is available with an optional mounting plate. This makes it suitable for left and right single-action doors without the need for conversion.

Special version:

- GEZE TS 1500 with hold-open linkage featuring adjustable hold-open angle of between 70° and 150°

GEZE TS 1500



Application range

- For internal doors
- For single-action doors, leaf width up to 1100 mm
- Compatible with left-hand and right-hand doors without the need for conversion
- Standard installation on door leaf, hinge side; transom installation on opposite hinge side also possible

Closer technical data

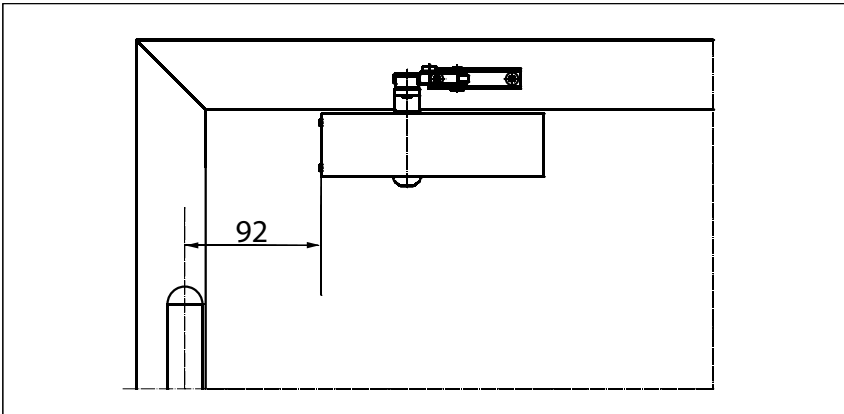
Product features	GEZE TS 1500 closer
Closing force in accordance with EN 1154	3/4
Leaf width recommended up to	1100 mm
Identical version DIN-L and DIN-R	●
Product tested in acc. with	Door closer tested in acc. with EN 1154
Length	177 mm
Installation depth	39 mm
Height	50 mm
Functions	
Adjustable closing force	● via mounting
Adjustable closing speed	●
Adjustable latching action	● via valve
Integrated back check	○
Closing force adjustment position	Mounting position

● = yes

○ = no

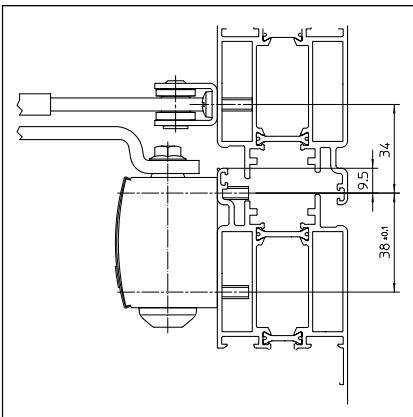
Door leaf installation/hinge side TS 1500

View

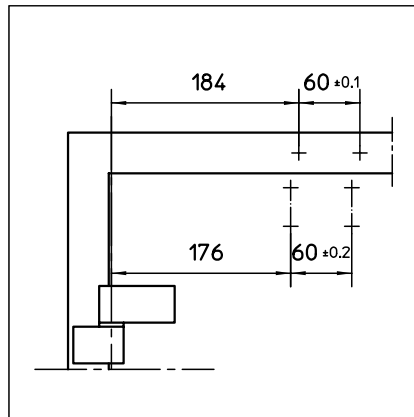


Installation example for GEZE TS 1500

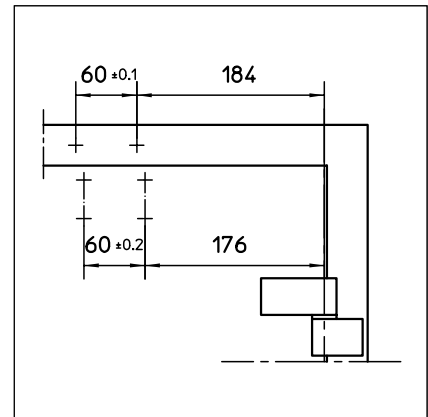
Direct installation



Cross section = direct installation

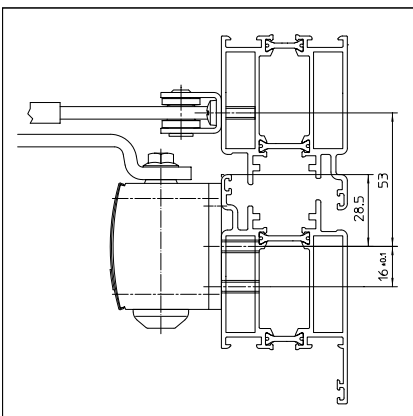


Fitting dimensions for left-hand door

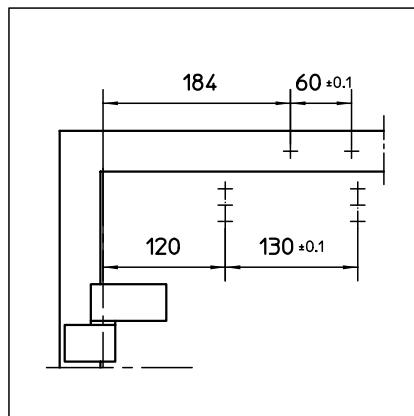


Fitting dimensions for right-hand door

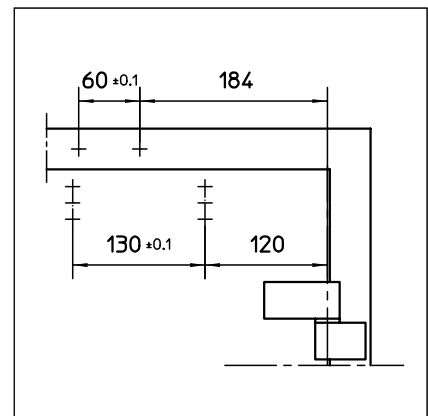
Installation with mounting plate



Cross section = installation with mounting plate



Fitting dimensions for left-hand door



Fitting dimensions for right-hand door

GEZE TS 1500 – Order information

Designation	Version	ID.No.
GEZE TS 1500 closer Size EN 3/4 (without link arm)	silver-coloured	101792
	dark bronze	101793
	white RAL 9016	101794
	acc. to RAL ¹⁾	101875
Link arm TS 1500/1000 C ²⁾ With mechanical hold-open device	silver-coloured	101815
	dark bronze	101816
	white RAL 9016	101817
	acc. to RAL ¹⁾	101818
Link arm TS 1500/1000 C Standard	silver-coloured	101878
	dark bronze	101879
	white RAL 9016	101881
	acc. to RAL ¹⁾	101882
Installation material		
Door closer mounting plate For TS 1500	silver-coloured	029682
	dark bronze	029683
	white RAL 9016	029685
	acc. to RAL ¹⁾	029686
Accessories		
Door closer cover cap For TS 1500, only suitable for door leaf installation	silver-coloured	080147
	dark bronze	080148
	white RAL 9016	080149
	acc. to RAL	080150

1) Surcharge for special RAL colours, see general information

2) Not approved for fire and smoke protection doors in Germany

GEZE TS 2000 NV

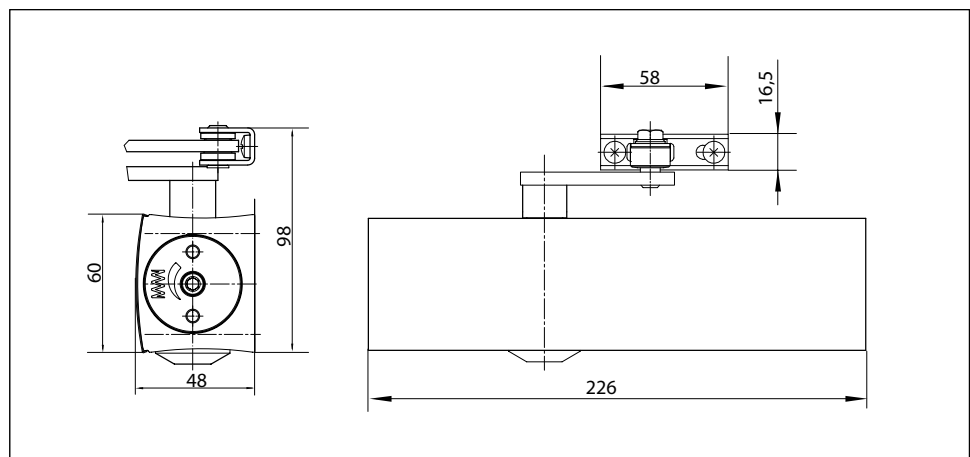
Link arm door closer for single-leaf doors with a leaf width up to 1100 mm

TS 2000 NV overhead door closer is approved for use with left and right single-action doors with leaf widths up to 1100 mm (without any need for conversion) and for use on fire and smoke protection doors. The closing force to DIN EN 1154 size 2-4 is infinitely variable and is adjusted at the side. The closing speed and latching action can be conveniently adjusted from the front.

Special versions:

- GEZE TS 2000 NV BC
with hydraulic back check that can be adjusted from the front
- GEZE TS 2000 NV/NV BC with hold-open linkage
with adjustable hold-open angle of between 70° and 150°

GEZE TS 2000 NV



Application range

- For single-action doors, leaf width up to 1100 mm
- Compatible with left-hand and right-hand doors without the need for conversion
- For fire protection doors (door closers with mounting plate)
- Standard installation on door leaf, hinge side; transom installation on opposite hinge side also possible
- Can be installed on door leaf on opposite hinge side with parallel arm mounting

Closer technical data

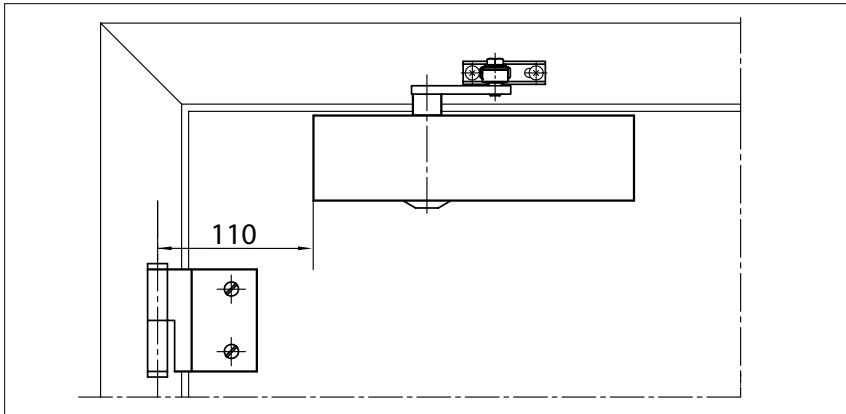
Product features	GEZE TS 2000 NV closer	GEZE TS 2000 NV BC closer
Closing force in accordance with EN 1154	2 - 4	
Leaf width recommended up to	1100 mm	
Identical version DIN-L and DIN-R	●	●
Product tested in acc. with	Door closer tested in acc. with EN 1154	
Suitable for fire protection doors	●	●
Mounting plate with hole pattern acc. to EN 1154 Supplement 1	●	●
Length	226 mm	
Installation depth	48 mm	
Height	60 mm	
Functions		
Adjustable closing force	● with variable adjustment	
Adjustable closing speed	●	●
Adjustable latching action	● via valve	
Integrated back check	○	Yes, hydraulically adjustable
Closing force adjustment position	On the side	
Thermo-constant valves	●	●

- = yes
- = no

TS 1500/TS 2000/
TS 4000
Overhead door
closers with
link arm

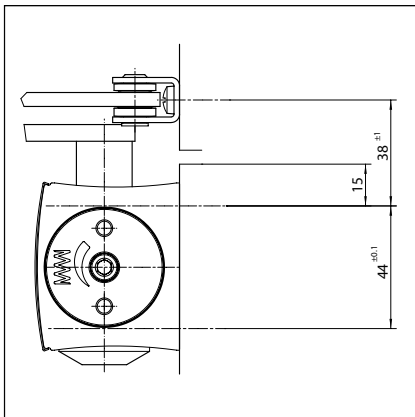
Door leaf installation/hinge side TS 2000 NV/NV BC

View

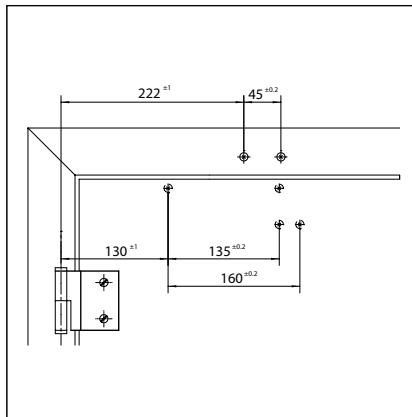


Installation example for GEZE TS 2000 NV/NV BC

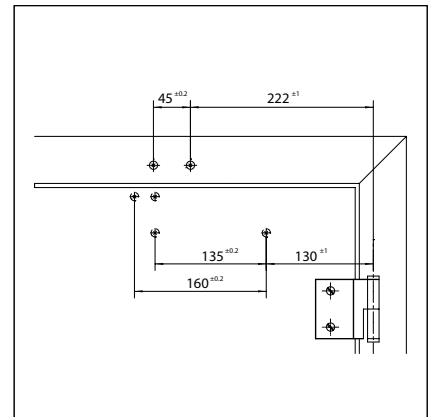
Direct installation



Cross section = direct installation

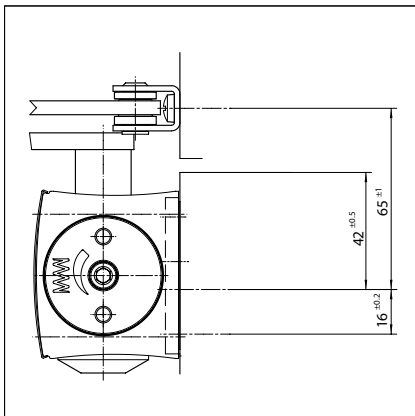


Fitting dimensions for left-hand door

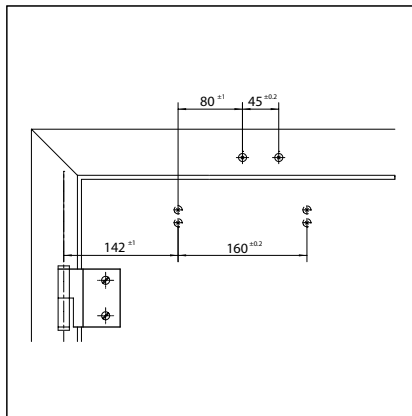


Fitting dimensions for right-hand door

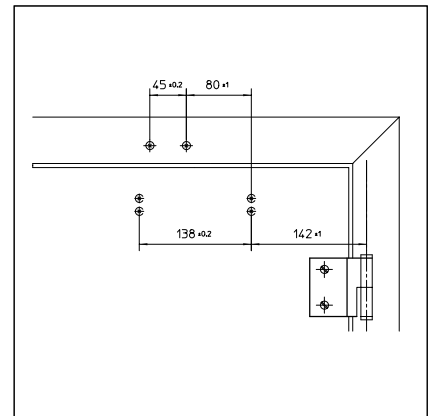
Installation with mounting plate



Cross section = installation with mounting plate



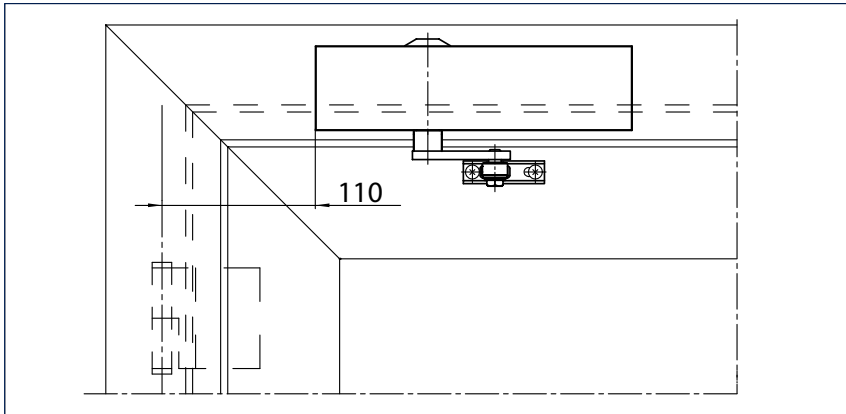
Fitting dimensions for left-hand door



Fitting dimensions for right-hand door

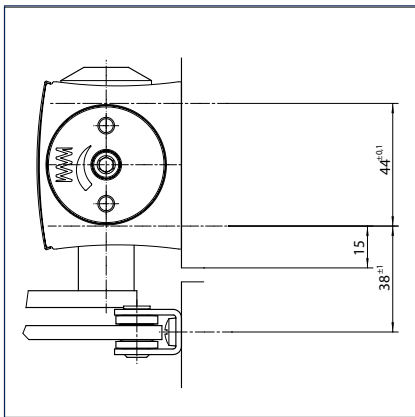
Transom installation/opposite hinge side TS 2000 NV/NV BC

View

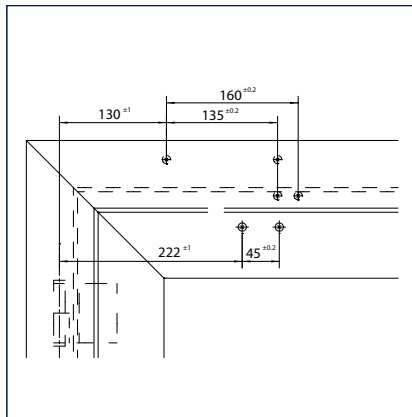


Installation example for GEZE TS 2000 NV/NV BC

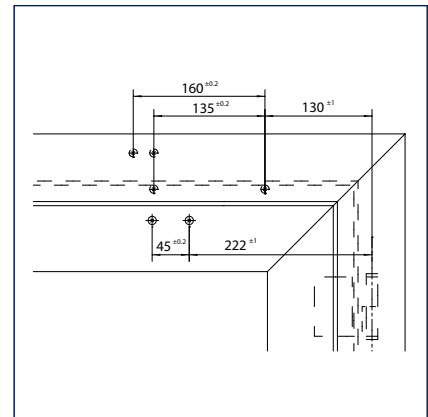
Direct installation



Cross section = direct installation

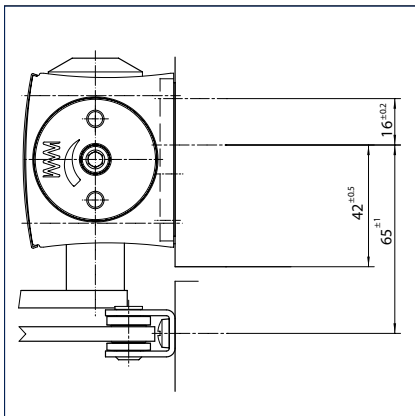


Fitting dimensions for right-hand door

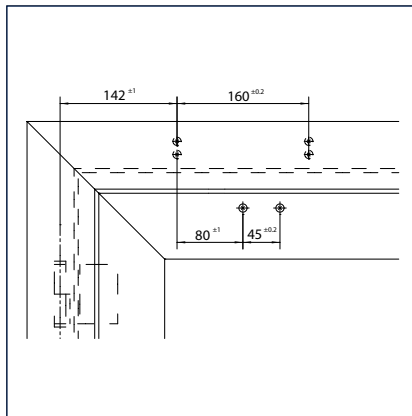


Fitting dimensions for left-hand door

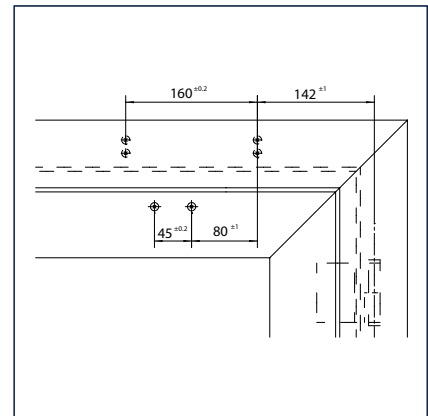
Installation with mounting plate



Cross section = installation with mounting plate



Fitting dimensions for right-hand door



Fitting dimensions for left-hand door

TS 1500/TS 2000/
TS 4000

Overhead door
closers with
link arm

GEZE TS 2000 NV - Order information

Designation	Version	ID.No.
GEZE TS 2000 NV closer Size EN 2-4 (without link arm)	silver-coloured	128885
	dark bronze	128886
	white RAL 9016	128887
	acc. to RAL ²⁾	128888
GEZE TS 2000 NV BC closer Size EN 2-4 with back check (without link arm)	silver-coloured	124944
	dark bronze	124945
	white RAL 9016	124946
	acc. to RAL ²⁾	124947
Link arm TS 4000/2000 ³⁾ With mechanical hold-open device	silver-coloured	102454
	dark bronze	102455
	white RAL 9016	102456
	acc. to RAL ²⁾	102457
Link arm TS 4000/2000 ³⁾ With mechanical hold-open device that can be switched on and off	silver-coloured	102445
	dark bronze	102446
	white RAL 9016	102447
	acc. to RAL ²⁾	102448
Link arm TS 4000/2000 Extended, for transom installation with a reveal depth of 70-170 mm	silver-coloured	102431
	dark bronze	102432
	white RAL 9016	102433
	acc. to RAL ²⁾	102434
Link arm TS 4000/2000 Standard	silver-coloured	102421
	dark bronze	102422
	white RAL 9016	102423
	simulated stainless steel ¹⁾	102426
	acc. to RAL ²⁾	102425
Installation material		
Spindle extension for TS 4000/TS 2000 Crown type connection	10 mm galvanised	103548
	10 mm black	103677
	15 mm galvanised	103549
	15 mm black	103678
	20 mm galvanised	103550
	20 mm black	103679
Door closer drilling template For TS 5000/4000/3000/2000		053134
Glass clamping plate for door closer For TS 3000/TS 2000NV	silver-coloured	014835
	dark bronze	014836
	white RAL 9016	014843
	acc. to RAL ²⁾	014845
All-glass door mounting and counter plate For TS 3000/TS 2000NV	silver-coloured	090259
Link arm mounting plate For TS 4000/2000, with narrow rebates	silver-coloured	057109
	acc. to RAL ²⁾	082506
	silver-coloured	053318
Link arm mounting plate For TS 4000/2000, with parallel arm mounting	dark bronze	053319
	acc. to RAL ²⁾	027460
	silver-coloured	127434
Mounting plate for segmental arch door For TS 2000 NV, max. arch height 130 mm	acc. to RAL ²⁾	127435
Door closer mounting plate For TS 2000 NV & NV BC with hole pattern acc. to DIN EN 1154 Supplement 1		126234
Lintel casing bracket for transom installation opposite hinge side For TS 2000 NV	silver-coloured	127432
Accessories		
Door closer cover cap For TS 3000/TS 2000, only suitable for door leaf installation	silver-coloured	013487
	dark bronze	014849
	white RAL 9016	014855
	brass	072770
	stainless steel	072769
	acc. to RAL ²⁾	014856

1) Only suitable for dry rooms 2) Surcharge for special RAL colours, see general information 3) Not approved for fire and smoke protection doors in Germany

GEZE TS 2000 V

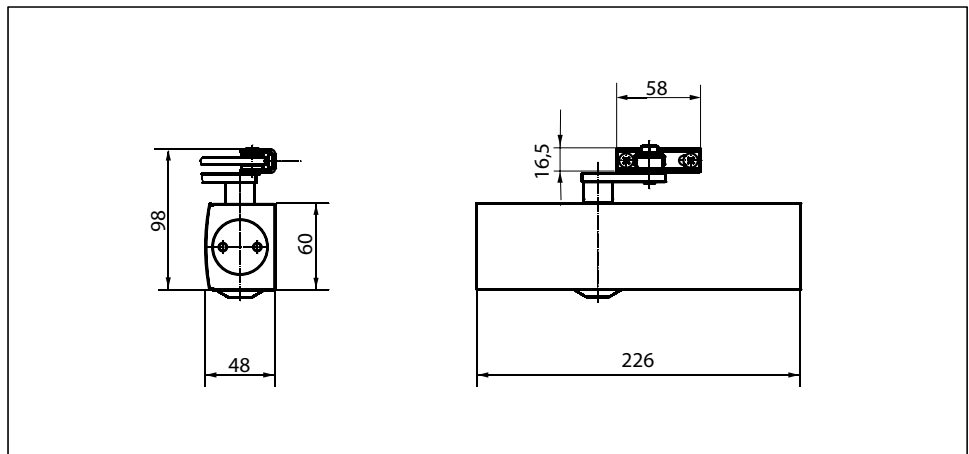
Link arm door closer for single-leaf doors with a leaf width up to 1250 mm

TS 2000 V overhead door closer is suitable for single-leaf doors with a leaf width up to 1250 mm. The closing force is variable in accordance with DIN EN 1154, size 2/4/5 (closing force is varied by changing the mounting position, but same size of closer is used in all cases). The closing speed can be conveniently adjusted from the front and the latching action is adjusted by means of the link arm. The door closer is available with an optional mounting plate. This makes it suitable for left and right single-action doors without the need for conversion.

Special versions:

- GEZE TS 2000 V BC
with hydraulic latching action that can be adjusted from the front and fixed back check setting
- GEZE TS 2000 V with hold-open linkage
with adjustable hold-open angle of between 70° and 150°

GEZE TS 2000 V



Application range

- For single-action doors, leaf width up to 1250 mm
- Compatible with left-hand and right-hand doors without the need for conversion
- Standard installation on door leaf, hinge side; transom installation on opposite hinge side also possible
- Can be installed on door leaf on opposite hinge side with parallel arm mounting

Closer technical data

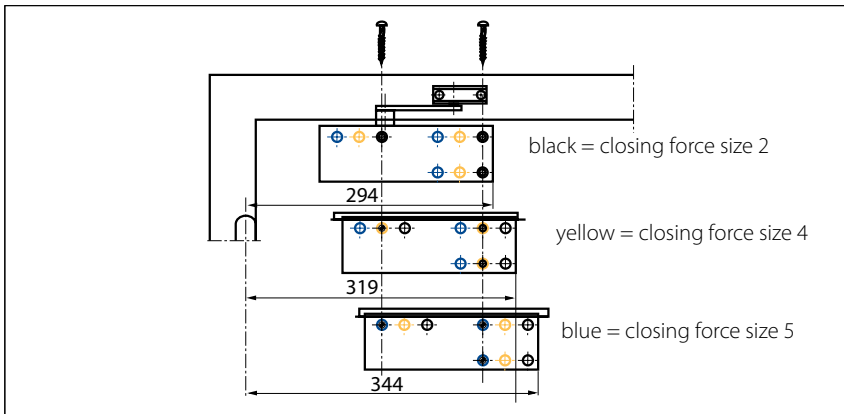
Product features	GEZE TS 2000 V closer	GEZE TS 2000 VBC closer
Closing force in accordance with EN 1154		2/4/5
Leaf width recommended up to		1250 mm
Identical version DIN-L and DIN-R	●	●
Product tested in acc. with	Door closer tested in acc. with EN 1154	
Length		226 mm
Installation depth		48 mm
Height		60 mm
Functions		
Adjustable closing force		● via mounting
Adjustable closing speed	●	●
Adjustable latching action	● via link arm	● via valve
Integrated back check	○	● hydraulic, fixed
Closing force adjustment position		Mounting position
Thermo-constant valves	●	●

● = yes

○ = no

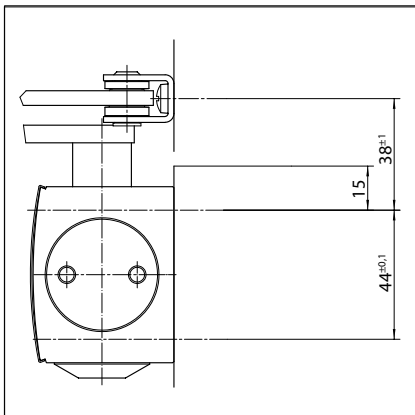
Door leaf installation/hinge side TS 2000 V/V BC

View

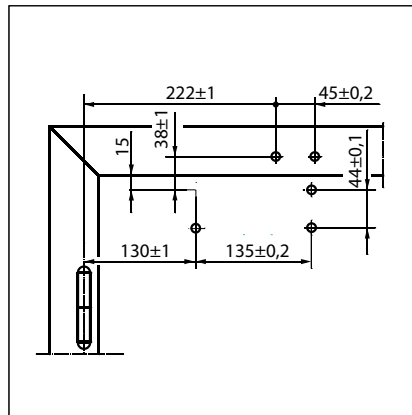


Installation example for GEZE TS 2000 V/V BC (closing force EN 2/4/5)

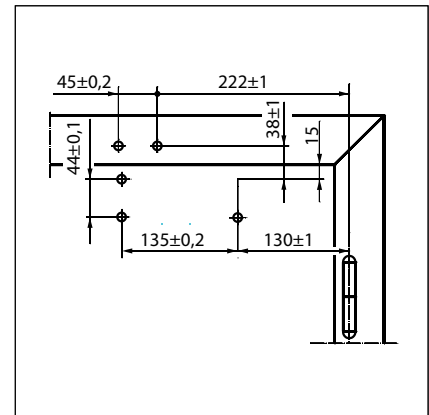
Direct installation



Cross section = direct installation

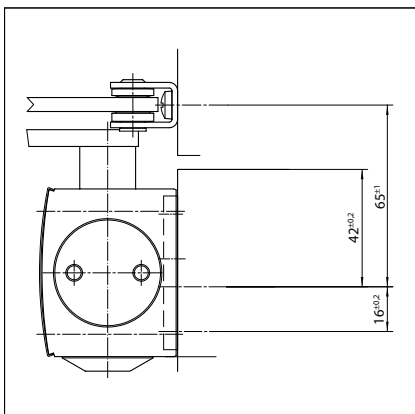


Fitting dimensions for left-hand door

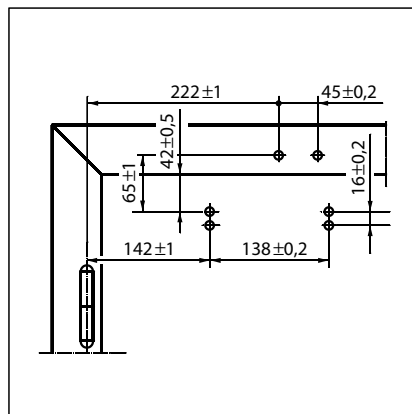


Fitting dimensions for right-hand door

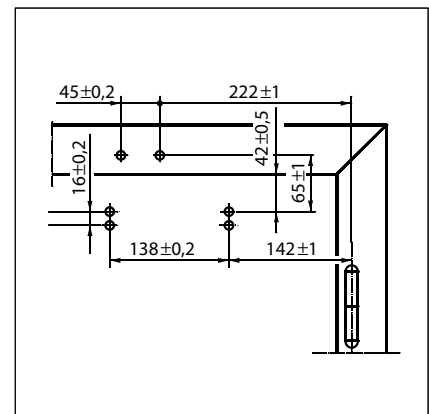
Installation with mounting plate



Cross section = installation with mounting plate



Fitting dimensions for left-hand door



Fitting dimensions for right-hand door

GEZE TS 2000 V – Order information

Designation	Version	ID.No.
GEZE TS 2000 V closer Size EN 2/4/5 (without link arm)	silver-coloured	103386
	dark bronze	103387
	white RAL 9016	103388
	acc. to RAL ²⁾	103389
GEZE TS 2000 VBC closer Size EN 2/4/5 with back check (without link arm)	silver-coloured	103392
	dark bronze	103393
	white RAL 9016	103394
	acc. to RAL ²⁾	103406
Link arm TS 4000/2000 ³⁾ With mechanical hold-open device	silver-coloured	102454
	dark bronze	102455
	white RAL 9016	102456
	acc. to RAL ²⁾	102457
Link arm TS 4000/2000 ³⁾ With mechanical hold-open device that can be switched on and off	silver-coloured	102445
	dark bronze	102446
	white RAL 9016	102447
	acc. to RAL ²⁾	102448
Link arm TS 4000/2000 Extended, for transom installation with a reveal depth of 70-170 mm	silver-coloured	102431
	dark bronze	102432
	white RAL 9016	102433
	acc. to RAL ²⁾	102434
Link arm TS 4000/2000 Standard	silver-coloured	102421
	dark bronze	102422
	white RAL 9016	102423
	simulated stainless steel ¹⁾	102426
acc. to RAL ²⁾	102425	
Installation material		
Spindle extension for TS 4000/TS 2000 Crown type connection	10 mm galvanised	103548
	10 mm black	103677
	15 mm galvanised	103549
	15 mm black	103678
	20 mm galvanised	103550
	20 mm black	103679
Door closer drilling template For TS 5000/4000/3000/2000		053134
Glass clamping plate for door closer For TS 2000 V	silver-coloured	055773
	dark bronze	055774
	acc. to RAL	009499
	acc. to RAL ²⁾	009500
Link arm mounting plate For TS 4000/2000, with narrow rebates	silver-coloured	057109
	acc. to RAL ²⁾	082506
Link arm mounting plate For TS 4000/2000, with parallel arm mounting	silver-coloured	053318
	dark bronze	053319
	acc. to RAL ²⁾	027460
Mounting plate for segmental arch door For TS 2000 V, max. arch height 130 mm	silver-coloured	059044
	dark bronze	059045
Door closer mounting plate For TS 2000 V		055756
Lintel casing bracket for transom installation opposite hinge side For TS 2000 V	silver-coloured	055766
	dark bronze	055767
	acc. to RAL ²⁾	104450
Accessories		
Door closer cover cap For TS 3000/TS 2000, only suitable for door leaf installation	silver-coloured	013487
	dark bronze	014849
	white RAL 9016	014855
	brass	072770
	stainless steel	072769
	acc. to RAL ²⁾	014856

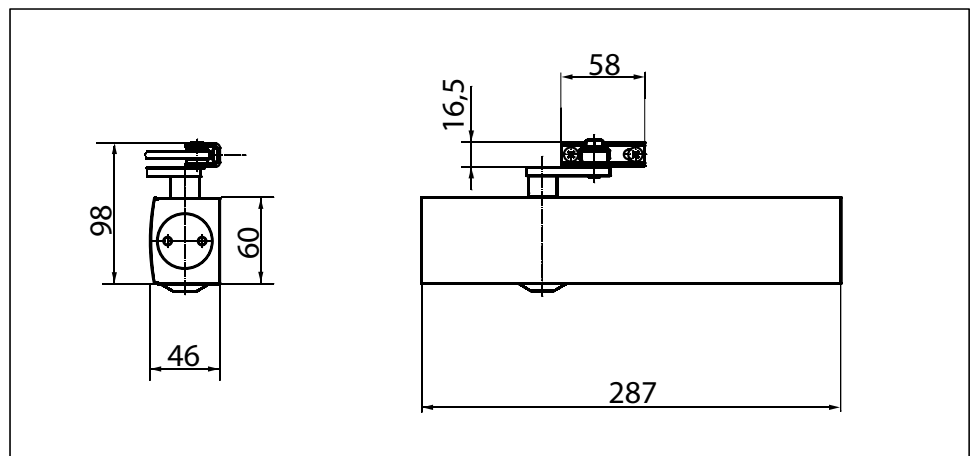
1) Only suitable for dry rooms 2) Surcharge for special RAL colours, see general information
3) Not approved for fire and smoke protection doors in Germany

GEZE TS 4000**Link arm door closer for single-leaf doors with a leaf width up to 1400 mm**

TS 4000 overhead door closer is approved for use with left and right single-action doors with leaf widths up to 1400 mm (without any need for conversion) and for mounting on fire and smoke protection doors. The closing force to EN 1154 size 1-6 is infinitely variable from the front and is easy to monitor thanks to the optical size indicator. The back check and thermo-constant closing speed are also adjustable from the front; the latching action is adjusted by means of the link arm. The closer features a safety valve for both the open and close directions.

Special versions:

- GEZE TS 4000 with hold-open linkage
hold-open angle up to 150° (must not be used on fire and smoke protection doors)
- GEZE TS 4000 S
with delayed closing action of up to 30 seconds, adjustable from the front (delayed closing action not effective with transom installation on opposite hinge side).
- GEZE TS 4000 door closer, wet room version
same as TS 4000, but with specially nickel-plated spindle, bearing shells and stainless steel screw accessories for aggressive environments.

GEZE TS 4000**Application range**

- For single-action doors, leaf width up to 1400 mm
- Compatible with left-hand and right-hand doors without the need for conversion
- For fire protection doors (door closers with mounting plate)
- Standard installation on door leaf, hinge side; transom installation on opposite hinge side also possible
- Can be installed on door leaf on opposite hinge side with parallel arm mounting

Closer technical data

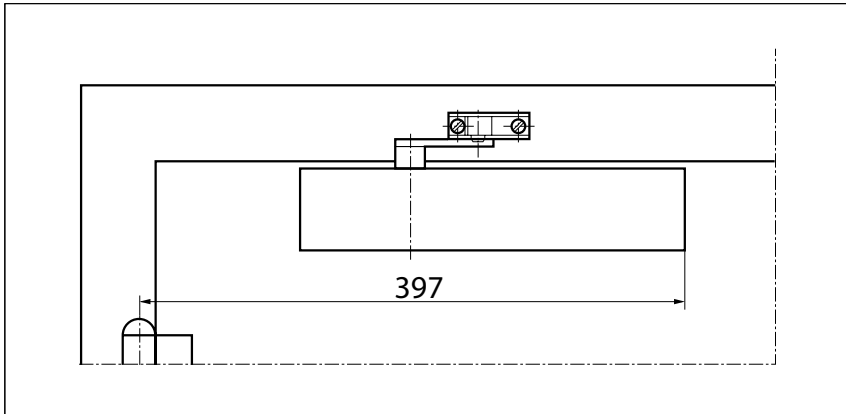
Product features	GEZE TS 4000 closer	GEZE TS 4000 S closer
Closing force in accordance with EN 1154		1 - 6
Leaf width recommended up to		1400 mm
Identical version DIN-L and DIN-R	●	●
Product tested in acc. with	Door closer tested in acc. with EN 1154	
Suitable for fire protection doors	●	●
Mounting plate with hole pattern acc. to EN 1154 Supplement 1	●	●
Length		287 mm
Installation depth		46 mm
Height		60 mm
Functions		
Adjustable closing force		● with variable adjustment
Adjustable closing speed	●	●
Adjustable latching action	● via link arm	● via valve
Integrated back check		● hydraulically adjustable
Integrated delayed closing action		●
Closing force adjustment position		Front
Optical closing force display	●	●
Safety valve as protection against vandalism	●	●
Thermo-constant valves	●	●

● = yes

○ = no

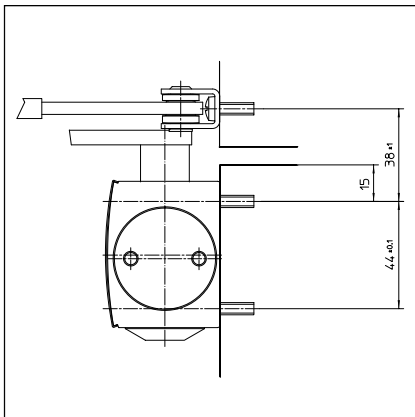
Door leaf installation/hinge side TS 4000

View

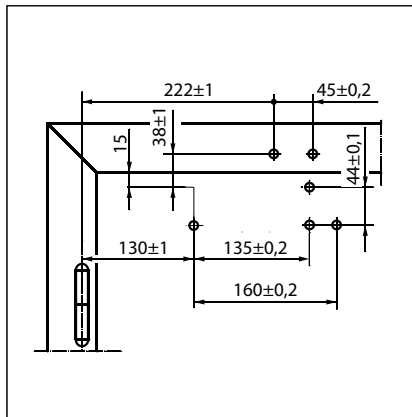


Installation example for GEZE TS 4000 1-6, TS 4000 S, TS 4000 wet room

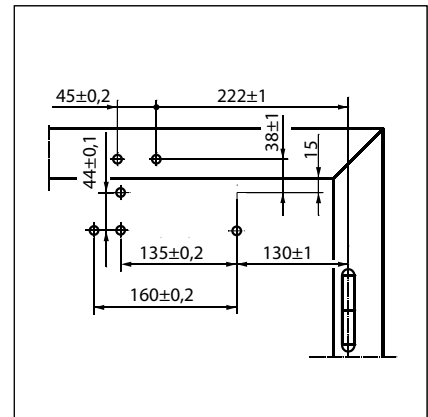
Direct installation



Cross section = direct installation

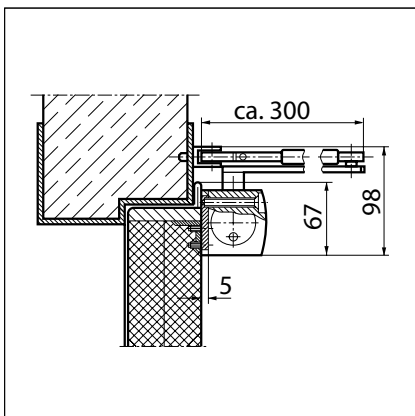


Fitting dimensions for left-hand door

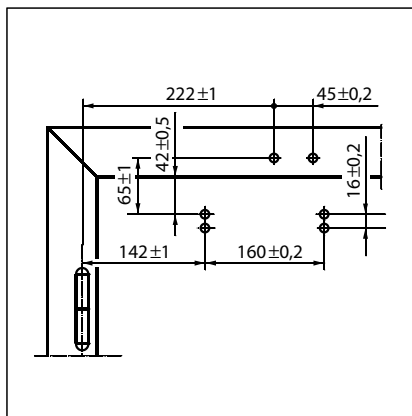


Fitting dimensions for right-hand door

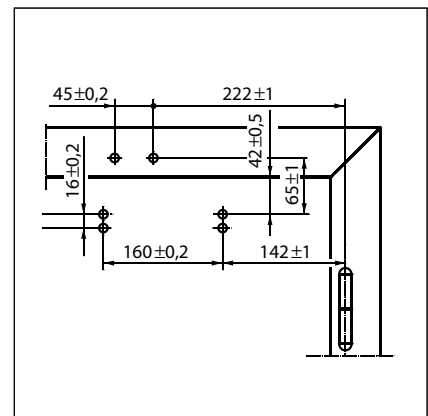
Installation with mounting plate



Cross section = installation with mounting plate



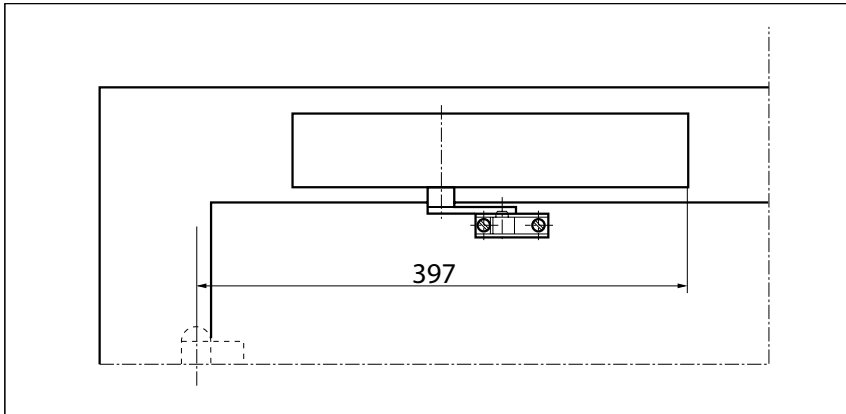
Fitting dimensions for left-hand door



Fitting dimensions for right-hand door

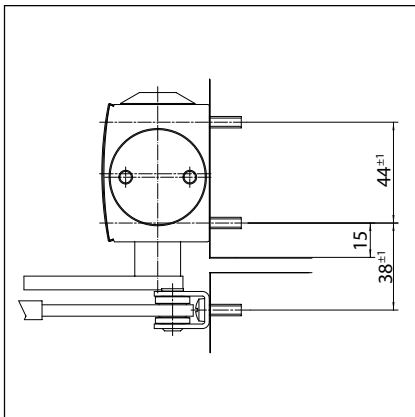
Transom installation/opposite hinge side TS 4000

View

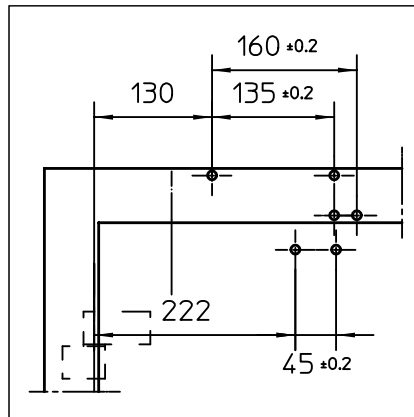


Installation example for GEZE TS 4000 1-6, TS 4000 S, TS 4000 wet room

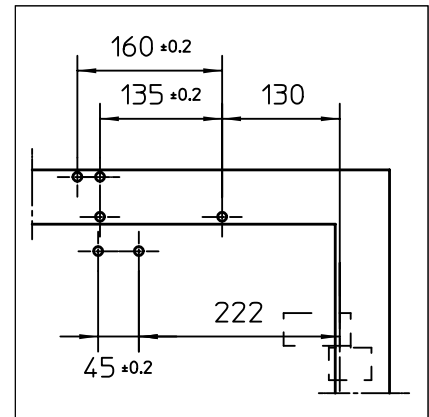
Direct installation



Cross section = direct installation

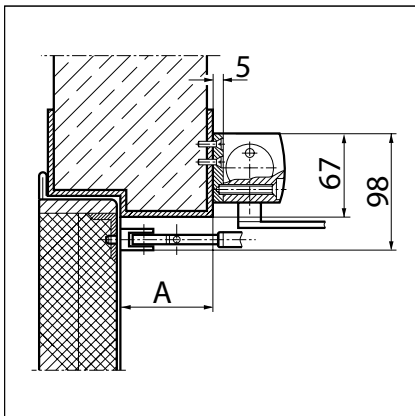


Fitting dimensions for right-hand door



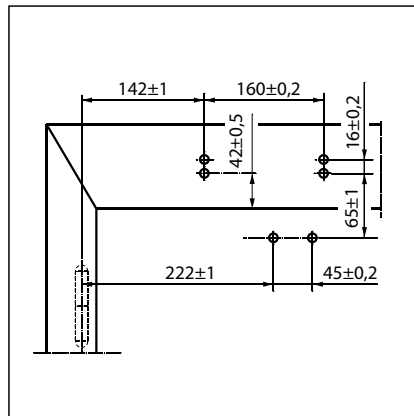
Fitting dimensions for left-hand door

Installation with mounting plate

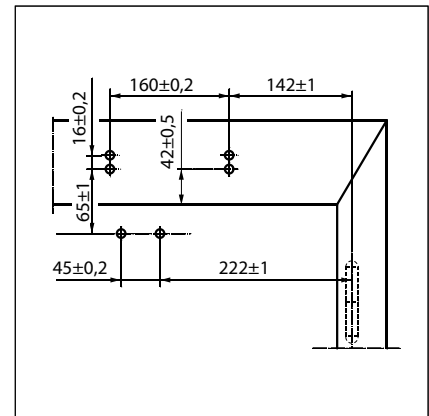


Cross section = installation with mounting plate

A = max. 70 mm lintel depth with fire and smoke protection doors



Fitting dimensions for right-hand door



Fitting dimensions for left-hand door

GEZE TS 4000 – Order information

Designation	Version	ID.No.
GEZE TS 4000 closer Size EN 1-6 with back check (without link arm)	silver-coloured	102789
	dark bronze	102790
	white RAL 9016	102791
	acc. to RAL ²⁾	102792
GEZE TS 4000 S closer Size EN 1-6 with delayed closing action and back check (without link arm)	silver-coloured	107745
	dark bronze	107746
	white RAL 9016	107747
	acc. to RAL ²⁾	107748
Link arm TS 4000/2000 ³⁾ With mechanical hold-open device	silver-coloured	102454
	dark bronze	102455
	white RAL 9016	102456
	acc. to RAL ²⁾	102457
Link arm TS 4000/2000 ³⁾ With mechanical hold-open device that can be switched on and off	silver-coloured	102445
	dark bronze	102446
	white RAL 9016	102447
	acc. to RAL ²⁾	102448
Link arm TS 4000/2000 Extended, for transom installation with a reveal depth of 70-170 mm	silver-coloured	102431
	dark bronze	102432
	white RAL 9016	102433
	acc. to RAL ²⁾	102434
Link arm TS 4000/2000 Standard	silver-coloured	102421
	dark bronze	102422
	white RAL 9016	102423
	simulated stainless steel ¹⁾	102426
	acc. to RAL ²⁾	102425
GEZE TS 4000 wet room version complete package Size EN 1-6 with back check, special protection against corrosion with stainless steel screw accessories and standard link arm	silver-coloured	120104

1) Only suitable for dry rooms

2) Surcharge for special RAL colours, see general information

3) Not approved for fire and smoke protection doors in Germany

Installation material

Spindle extension for TS 4000/TS 2000 Crown type connection	10 mm	galvanised	103548
	10 mm	black	103677
	15 mm	galvanised	103549
	15 mm	black	103678
	20 mm	galvanised	103550
	20 mm	black	103679
Door closer drilling template For TS 5000/4000/3000/2000			053134
Glass clamping plate for door closer For TS 5000/TS 4000	silver-coloured		057126
	dark bronze		057127
	white RAL 9016		009491
	acc. to RAL ²⁾		009494
All-glass door mounting and counter plate For TS 5000/TS 4000	silver-coloured		007923
	dark bronze		007924
	acc. to RAL ²⁾		007926
Link arm mounting plate For TS 4000/2000, with narrow rebates	silver-coloured		057109
	acc. to RAL ²⁾		082506
Link arm mounting plate For TS 4000/2000, with parallel arm mounting	silver-coloured		053318
	dark bronze		053319
	acc. to RAL ²⁾		027460
Mounting plate for segmental arch door For TS 4000, max. arch height 130 mm	silver-coloured		058782
	dark bronze		058783
	acc. to RAL ²⁾		119472
Door closer mounting plate For TS 5000/4000 with hole pattern acc. to DIN EN 1154 Supplement 1	silver-coloured		049185
	dark bronze		052351
	white RAL 9016		068627
	galvanised		057956
	acc. to RAL ²⁾		029176
Lintel casing bracket for transom installation opposite hinge side For TS 5000/TS 4000	silver-coloured		049240
	dark bronze		052352
	acc. to RAL ²⁾		104451
Accessories			
Door closer cover cap For TS 5000/TS 4000, only suitable for door leaf installation	silver-coloured		067724
	dark bronze		067725
	white RAL 9016		067726
	brass		072698
	stainless steel		072696
	acc. to RAL ²⁾		000756

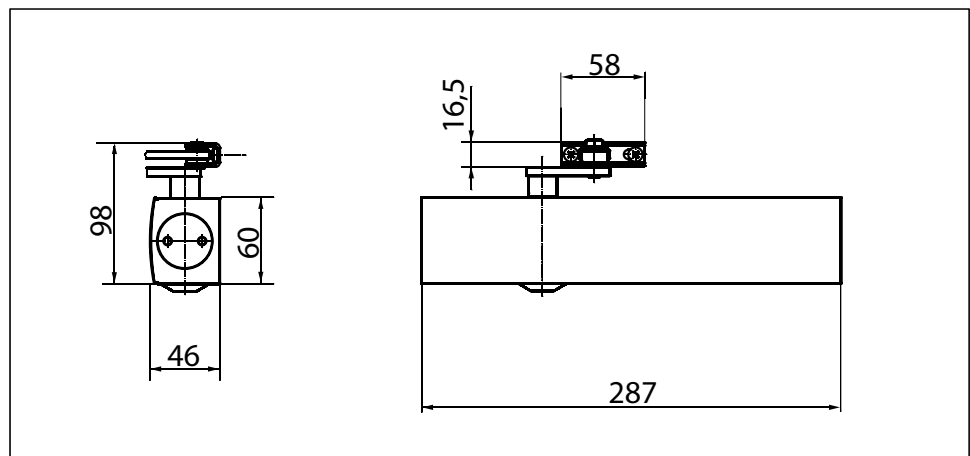
2) Surcharge for special RAL colours, see general information

GEZE TS 4000 size 5-7**Link arm door closer for single-leaf doors with a leaf width up to 1600 mm**

TS 4000 overhead door closer is approved for use with left and right single-action doors with leaf widths up to 1600 mm (without any need for conversion) and for mounting on fire and smoke protection doors. The closing force to EN 1154 size 5-7 is infinitely variable from the front and is easy to monitor thanks to the optical size indicator. The back check and thermo-constant closing speed are also adjustable from the front; the latching action is adjusted by means of the link arm. The closer features a safety valve for both the open and close directions.

Special versions:

- GEZE TS 4000 with hold-open linkage
hold-open angle of up to 150° (must not be used on fire and smoke protection doors, hold-open mechanism only effective up to size EN 6)

GEZE TS 4000 size 5-7**Application range**

- For single-action doors, leaf width up to 1600 mm
- Compatible with left-hand and right-hand doors without the need for conversion
- For fire protection doors (door closers with mounting plate)
- Standard installation on door leaf, hinge side; transom installation on opposite hinge side also possible
- Can be installed on door leaf on opposite hinge side with parallel arm mounting

Closer technical data

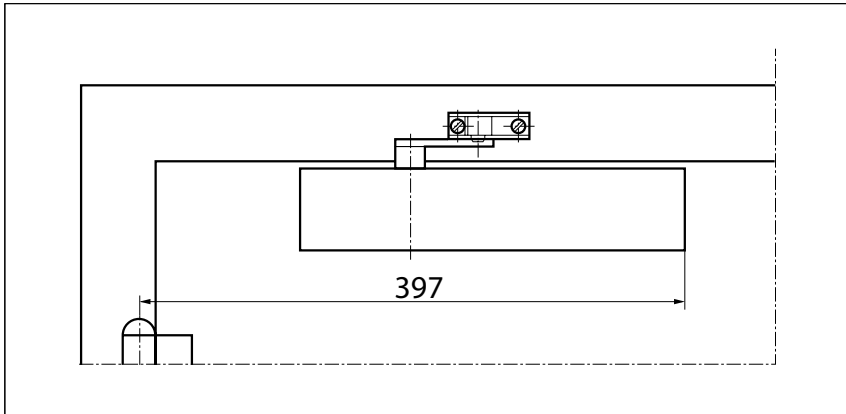
Product features	GEZE TS 4000 closer
Closing force in accordance with EN 1154	5 - 7
Leaf width recommended up to	1600 mm
Identical version DIN-L and DIN-R	●
Product tested in acc. with	Door closer tested in acc. with EN 1154
Suitable for fire protection doors	●
Mounting plate with hole pattern acc. to EN 1154 Supplement 1	●
Length	287 mm
Installation depth	46 mm
Height	60 mm
Functions	
Adjustable closing force	● with variable adjustment
Adjustable closing speed	●
Adjustable latching action	● via link arm
Integrated back check	● hydraulically adjustable
Closing force adjustment position	Front
Optical closing force display	●
Safety valve as protection against vandalism	●
Thermo-constant valves	●

● = yes

○ = no

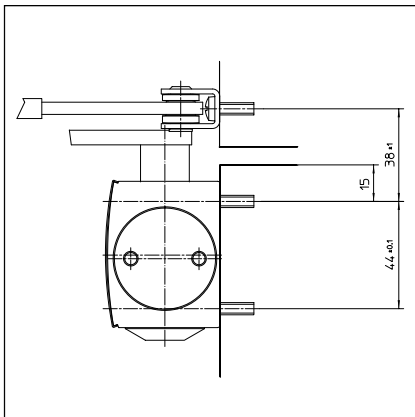
Door leaf installation/hinge side TS 4000 size 5-7

View

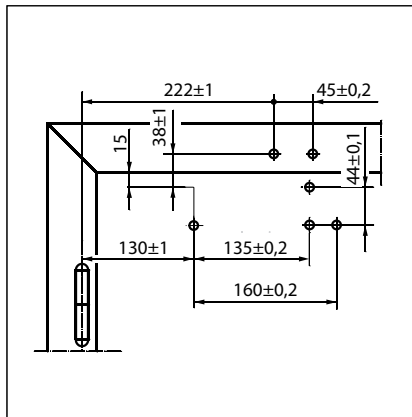


Installation example for GEZE TS 4000 5-7

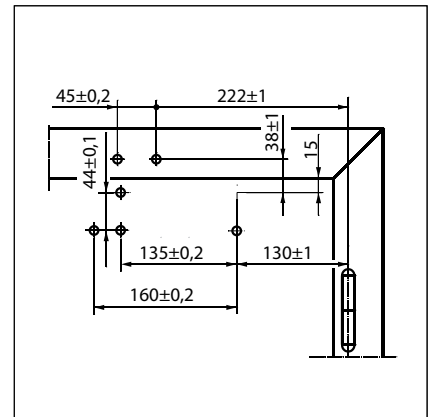
Direct installation



Cross section = direct installation

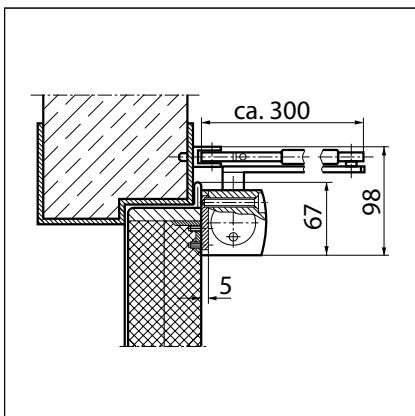


Fitting dimensions for left-hand door

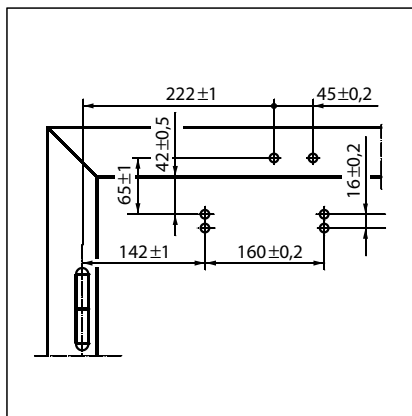


Fitting dimensions for right-hand door

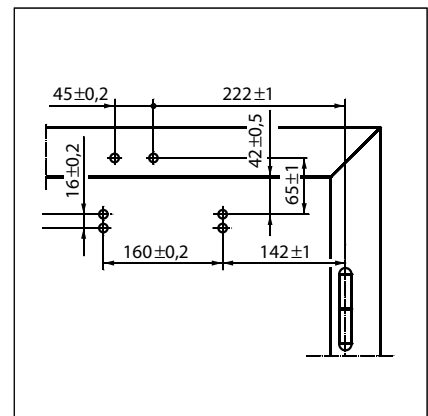
Installation with mounting plate



Cross section = installation with mounting plate



Fitting dimensions for left-hand door



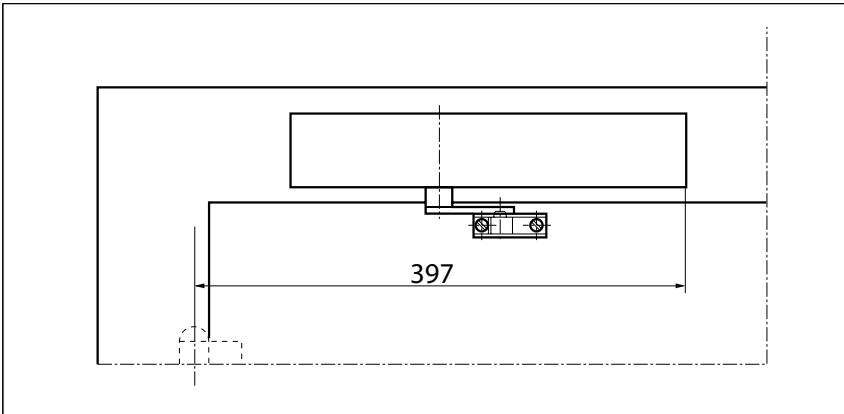
Fitting dimensions for right-hand door

TS 1500/TS 2000/
TS 4000

Overhead door
closers with
link arm

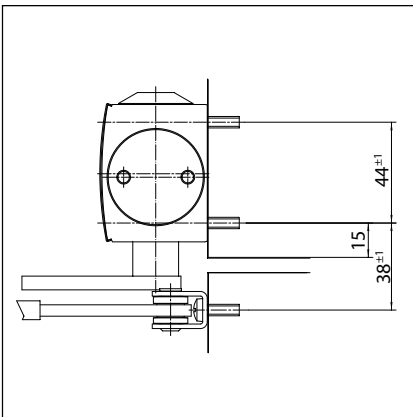
Transom installation/opposite hinge side TS 4000 size 5-7

View

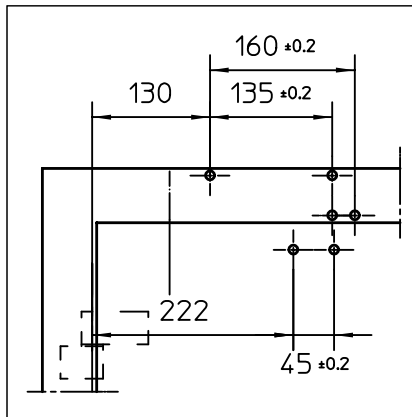


Installation example for GEZE TS 4000 5-7

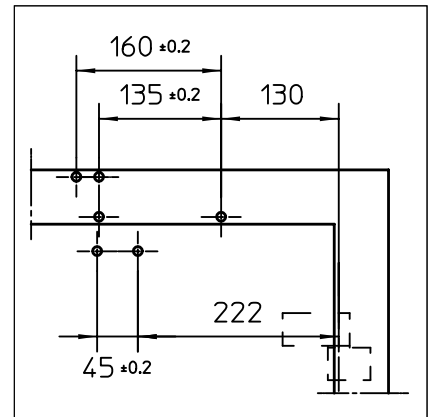
Direct installation



Cross section = direct installation

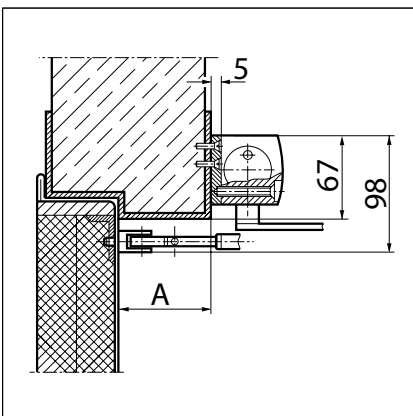


Fitting dimensions for right-hand door

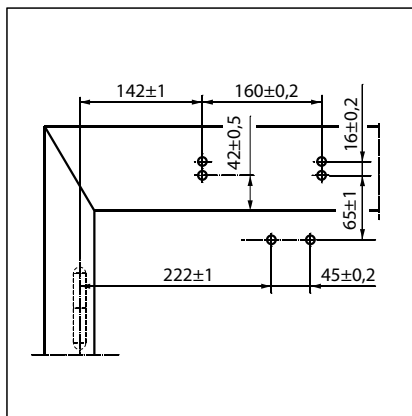


Fitting dimensions for left-hand door

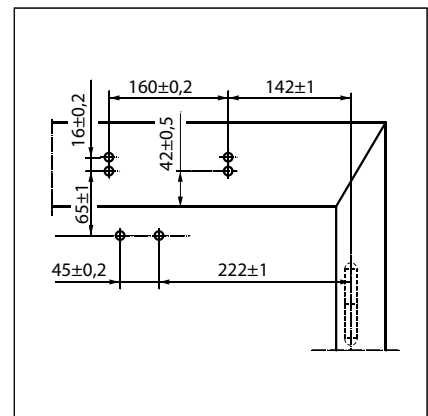
Installation with mounting plate



Cross section = installation with mounting plate
A = max. 70 mm lintel depth with fire and smoke protection doors



Fitting dimensions for right-hand door



Fitting dimensions for left-hand door

GEZE TS 4000 size 5-7 - Order information

Designation	Version	ID.No.
GEZE TS 4000 closer Size EN 5-7 with back check (without link arm)	silver-coloured	102837
	acc. to RAL ²⁾	102838
Link arm TS 4000/2000 ³⁾ With mechanical hold-open device	silver-coloured	102454
	dark bronze	102455
	white RAL 9016	102456
	acc. to RAL ²⁾	102457
Link arm TS 4000/2000 With mechanical hold-open device that can be switched on and off	silver-coloured	102445
	dark bronze	102446
	white RAL 9016	102447
	acc. to RAL ²⁾	102448
Link arm TS 4000/2000 Extended, for transom installation with a reveal depth of 70-170 mm	silver-coloured	102431
	dark bronze	102432
	white RAL 9016	102433
	acc. to RAL ²⁾	102434
Link arm TS 4000/2000 Standard	silver-coloured	102421
	dark bronze	102422
	white RAL 9016	102423
	simulated stainless steel ¹⁾	102426
	acc. to RAL ²⁾	102425
Installation material		
Spindle extension for TS 4000/TS 2000 Crown type connection	10 mm galvanised	103548
	10 mm black	103677
	15 mm galvanised	103549
	15 mm black	103678
	20 mm galvanised	103550
	20 mm black	103679
Door closer drilling template For TS 5000/4000/3000/2000		053134
Glass clamping plate for door closer For TS 5000/TS 4000	silver-coloured	057126
	dark bronze	057127
	white RAL 9016	009491
	acc. to RAL ²⁾	009494
All-glass door mounting and counter plate For TS 5000/TS 4000	silver-coloured	007923
	dark bronze	007924
	acc. to RAL ²⁾	007926
Link arm mounting plate For TS 4000/2000, with narrow rebates	silver-coloured	057109
	acc. to RAL ²⁾	082506
Link arm mounting plate For TS 4000/2000, with parallel arm mounting	silver-coloured	053318
	dark bronze	053319
	acc. to RAL ²⁾	027460
Mounting plate for segmental arch door For TS 4000, max. arch height 130 mm	silver-coloured	058782
	dark bronze	058783
	acc. to RAL ²⁾	119472
Door closer mounting plate For TS 5000/4000 with hole pattern acc. to DIN EN 1154 Supplement 1	silver-coloured	049185
	dark bronze	052351
	white RAL 9016	068627
	galvanised	057956
	acc. to RAL ²⁾	029176
Lintel casing bracket for transom installation opposite hinge side For TS 5000/TS 4000	silver-coloured	049240
	dark bronze	052352
	acc. to RAL ²⁾	104451
Accessories		
Door closer cover cap For TS 5000/TS 4000, only suitable for door leaf installation	silver-coloured	067724
	dark bronze	067725
	white RAL 9016	067726
	brass	072698
	stainless steel	072696
	acc. to RAL ²⁾	000756

1) Only suitable for dry rooms

2) Surcharge for special RAL colours, see general information

3) Not approved for fire and smoke protection doors in Germany

GEZE TS 4000 E

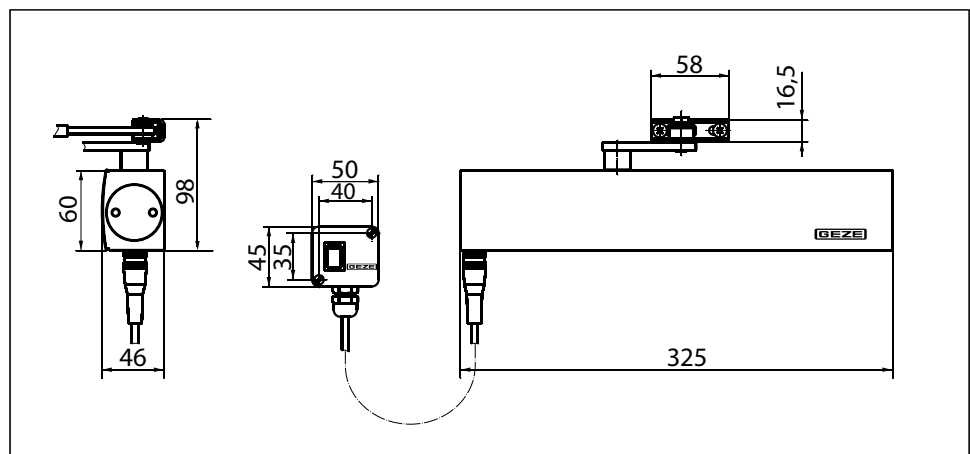
Link arm door closer for single-leaf doors with a leaf width up to 1400 mm featuring electric hold-open

TS 4000 E (24 V DC) overhead door closer, featuring an electric hold-open that is infinitely variable between 80° and 175° in accordance with EN 1155, is approved for use with left and right single-action doors with a door leaf width up to 1400 mm and for mounting on fire and smoke protection doors. In the event of a fire or power failure, the hold-open mechanism is activated and the door closes securely. The size 1-6 closing force to EN 1154, with optical size indicator, and the thermoconstant closing speed can be conveniently adjusted from the front; the latching action is adjusted by means of the link arm.

Special version:

- GEZE TS 4000 E/transom installation on opposite hinge side 24 V DC

GEZE TS 4000 E



Application range

- For single-action doors, leaf width up to 1400 mm
- Compatible with left-hand and right-hand doors without the need for conversion
- For fire protection doors (door closers with mounting plate)
- Standard installation on door leaf, hinge side; transom installation on opposite hinge side also possible
- Transom installation on hinge side possible with guide rail, closing force EN3, not approved for fire protection doors

Closer technical data

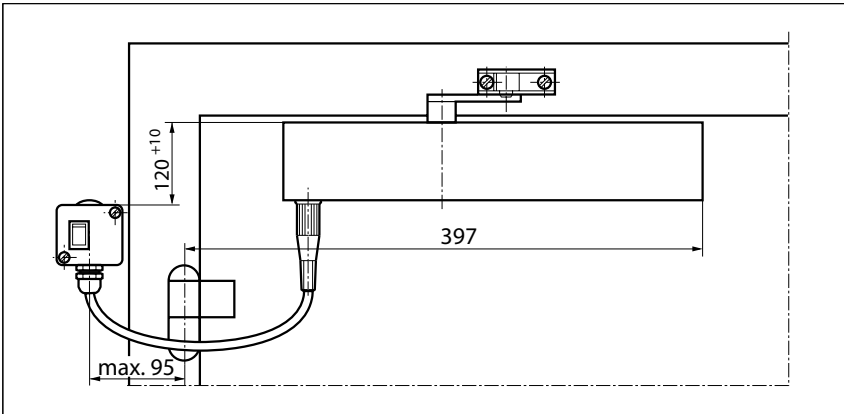
Product features	GEZE TS 4000 E closer
Closing force in accordance with EN 1154	1 - 6
Leaf width recommended up to	1400 mm
Identical version DIN-L and DIN-R	●
Supply voltage	24 V DC
Enclosure rating	IP 43
Product tested in acc. with	Door closer tested in acc. with EN 1154 Hold-open mechanism tested in acc. with EN 1155
Suitable for fire protection doors	●
Mounting plate with hole pattern acc. to EN 1154 Supplement 1	●
Length	325 mm
Installation depth	46 mm
Height	60 mm
Functions	
Adjustable closing force	● with variable adjustment
Adjustable closing speed	●
Adjustable latching action	● via link arm
Integrated back check	○
Closing force adjustment position	Front
Optical closing force display	●
Safety valve as protection against vandalism	●
Thermo-constant valves	●
Integrated hold-open mechanism	Electric
Hold-open angle	80°-175°
Hold-open device can be overridden	●

● = yes

○ = no

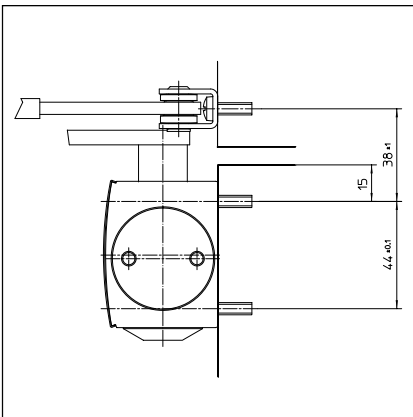
Door leaf installation/hinge side TS 4000 E

View

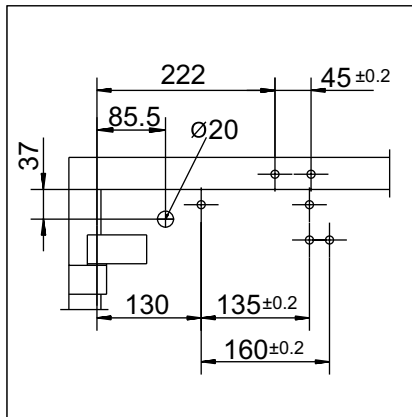


Installation example for GEZE TS 4000 E

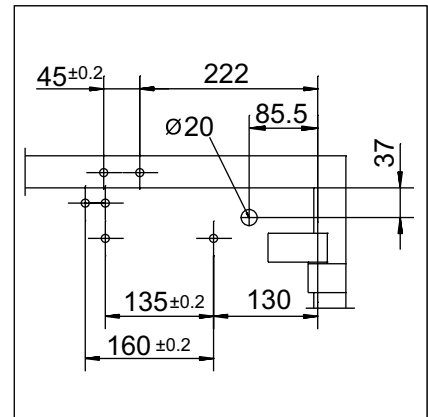
Direct installation



Cross section = direct installation

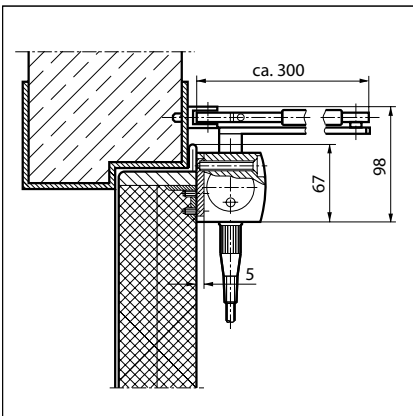


Fitting dimensions for left-hand door

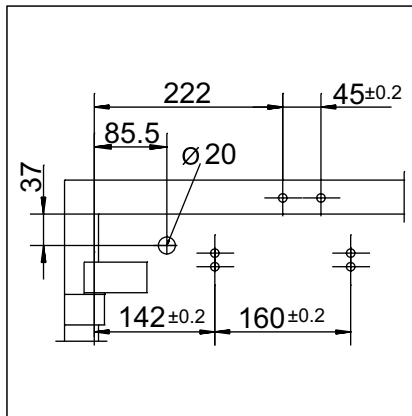


Fitting dimensions for right-hand door

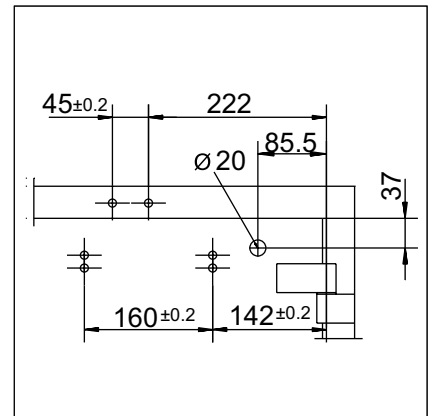
Installation with mounting plate



Cross section = installation with mounting plate



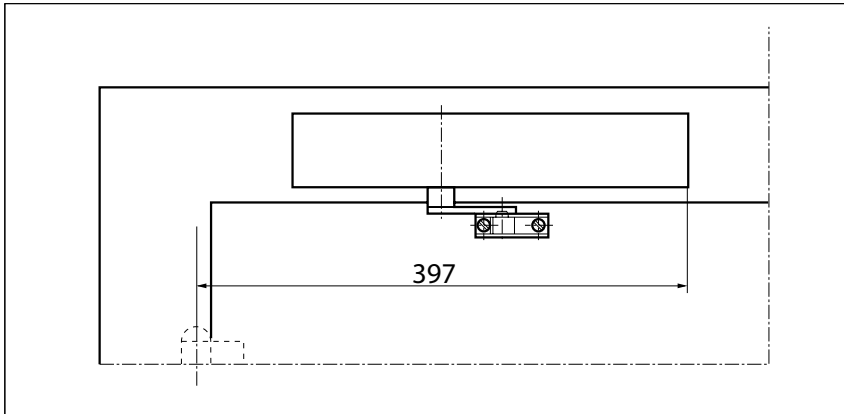
Fitting dimensions for left-hand door



Fitting dimensions for right-hand door

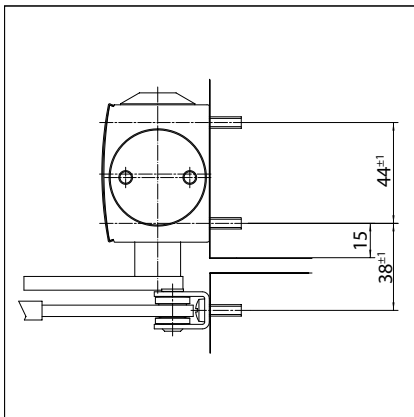
Transom installation/opposite hinge side TS 4000 E

View

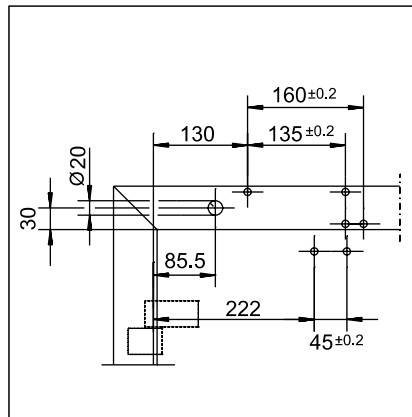


Installation example for GEZE TS 4000 E

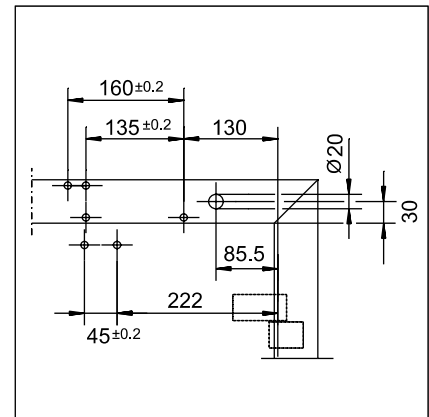
Direct installation



Cross section = direct installation

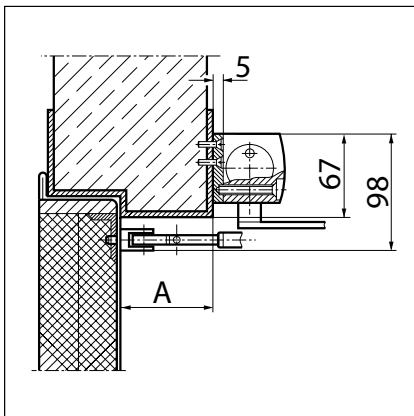


Fitting dimensions for right-hand door

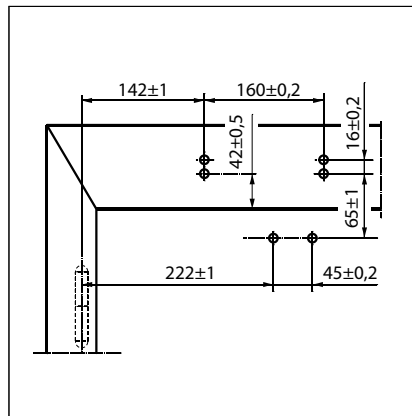


Fitting dimensions for left-hand door

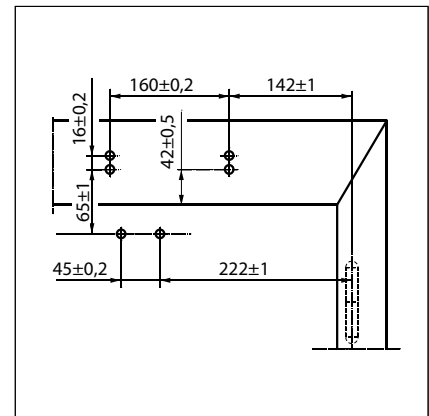
Installation with mounting plate



Cross section = installation with mounting plate
A = max. 70 mm lintel depth with fire and smoke protection doors



Fitting dimensions for right-hand door



Fitting dimensions for left-hand door

GEZE TS 4000 E - Order information

Designation	Version	ID.No.
GEZE TS 4000 E closer	silver-coloured	105211
Size EN 1-6, door leaf installation on hinge side, featuring electric hold-open device and connector box (without link arm)	acc. to RAL ²⁾	105212
GEZE TS 4000 E KM BG closer	silver-coloured	105213
Size EN 1-6, transom installation on opposite hinge side, featuring electric hold-open device (without link arm)	acc. to RAL ²⁾	105214
GEZE TS 4000 E KM BS closer ³⁾	silver-coloured	105235
Size EN 1-3, transom installation on hinge side, featuring electric hold-open device (without guide rail)	acc. to RAL ²⁾	105236
Guide rail TS 4000 E/R	silver-coloured	102527
With lever, designed for transom installation on hinge side	acc. to RAL ²⁾	102530
Link arm TS 4000/2000 Extended, for transom installation with a reveal depth of 70-170 mm	silver-coloured	102431
	dark bronze	102432
	white RAL 9016	102433
	acc. to RAL ²⁾	102434
Link arm TS 4000/2000 Standard	silver-coloured	102421
	dark bronze	102422
	white RAL 9016	102423
	simulated stainless steel ¹⁾	102426
	acc. to RAL ²⁾	102425
Installation material		
Spindle extension for TS 4000/TS 2000 Crown type connection	10 mm galvanised	103548
	10 mm black	103677
	15 mm galvanised	103549
	15 mm black	103678
	20 mm galvanised	103550
	20 mm black	103679
Door closer drilling template For TS 5000/4000/3000/2000		053134
Link arm mounting plate For TS 4000/2000, with narrow rebates	silver-coloured	057109
	acc. to RAL ²⁾	082506
Link arm mounting plate For TS 4000/2000, with parallel arm mounting	silver-coloured	053318
	dark bronze	053319
	acc. to RAL ²⁾	027460
Door closer mounting plate For TS 5000 EFS/RFS/EHY/4000 E with hole pattern acc. to DIN EN 1154 Supplement 1	silver-coloured	059107
	acc. to RAL ²⁾	100044
Accessories		
GEZE smoke switch control unit RSZ 6 Smoke switch and power supply for all GEZE hold-open mechanisms	silver-coloured	099851
	dark bronze	099857
	white RAL 9016	099858
	simulated stainless steel ¹⁾	099856
	acc. to RAL ²⁾	099859
GEZE smoke detector GC 152 Complete with base, 24 V DC, 20 mA, tested in accordance with EN54-7, with general approval for use with all GEZE hold-open systems, integrated line monitoring, conform with DIN EN 14637	white	139850
GEZE thermal detector GC 153 Complete with base, 24 V DC, 20 mA, tested in accordance with EN54-5, with general approval for use with all GEZE hold-open systems, integrated line monitoring, conform with DIN EN 14637	white	139881
GEZE manual trigger switch Flush-mounted version, for manual release of electrically controllable door hold-open mechanisms	alpine white	116266
GEZE manual trigger switch with glass cover and 5 interchangeable letterings Flush-mounted version, for manual release of electrically controllable door hold-open mechanisms	alpine white	120880
Replacement glass cover for GEZE manual trigger switch 120880 and 120881		010994

1) Only suitable for dry rooms 2) Surcharge for special RAL colours, see general information

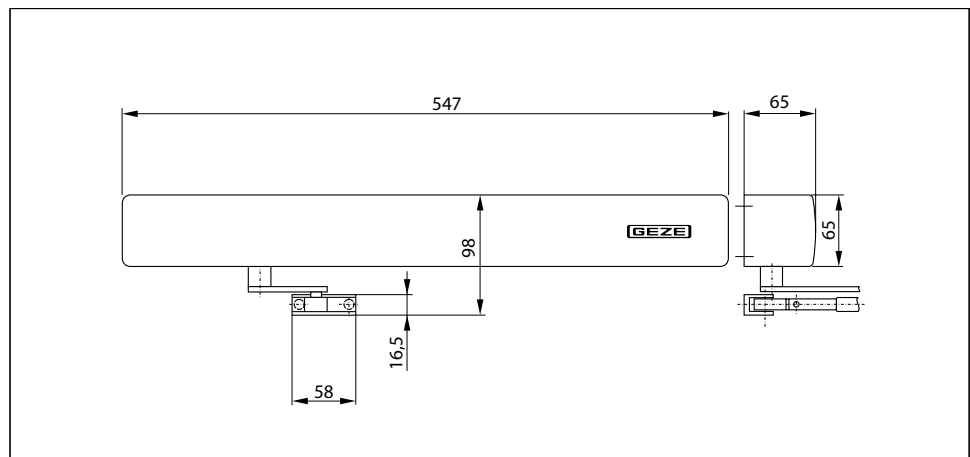
3) Not currently approved for fire and smoke protection doors, EN size 3, leaf width up to 950 mm

GEZE TS 4000 R

Link arm door closer for single-leaf doors with a leaf width up to 1400 mm featuring electric hold-open and smoke switch control unit

TS 4000 R overhead door closer, featuring an electric hold-open that is infinitely variable between 80° and 175° in accordance with EN 1155 and a smoke switch control unit built into the closer cover, is approved for use with left and right single-action doors with a door leaf width up to 1400 mm and for mounting on fire and smoke protection doors. In the event of a fire, the smoke detector is activated and the door closes automatically. The size 1-6 closing force to EN 1154, with optical size indicator, and the thermo-constant closing speed can be conveniently adjusted from the front; the latching action is adjusted by means of the link arm. Official building approval of a general nature from the DIBt (German Institute for Building Technology) (not applicable to transom installation on the hinge side).

GEZE TS 4000 R



Application range

- For single-action doors, leaf width up to 1400 mm
- Compatible with left-hand and right-hand doors without the need for conversion
- For fire protection doors (door closers with mounting plate)
- Standard installation involving transom installation on opposite hinge side
- Transom installation on hinge side possible with guide rail, closing force EN3, not approved for fire and smoke protection doors

Closer technical data

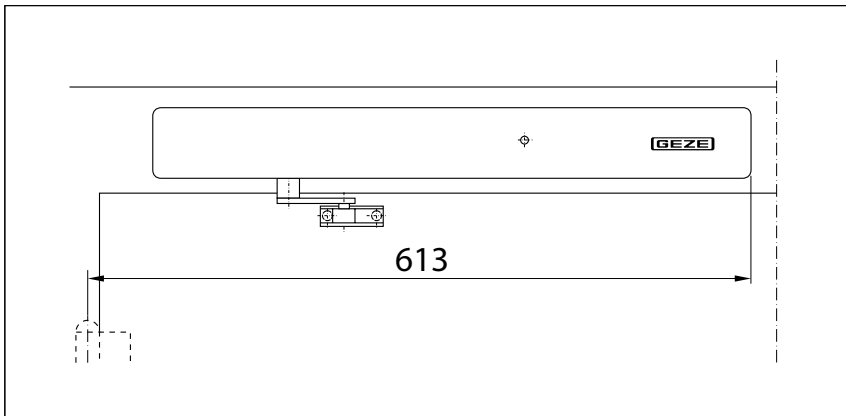
Product features	GEZE TS 4000 R KM BG closer
Closing force in accordance with EN 1154	1 - 6
Leaf width recommended up to	1400 mm
Identical version DIN-L and DIN-R	●
Supply voltage	230 V 50 Hz
Enclosure rating	IP 20
Product tested in acc. with	Door closer tested in acc. with EN 1154 Hold-open mechanism tested in acc. with EN 1155 Official building approval of a general nature from the DIBt (German Institute for Building Technology) for use as a hold-open system
Suitable for fire protection doors	●
Mounting plate with hole pattern acc. to EN 1154 Supplement 1	●
Length	547 mm
Installation depth	65 mm
Height	65 mm
Functions	
Adjustable closing force	● with variable adjustment
Adjustable closing speed	●
Adjustable latching action	● via link arm
Integrated back check	○
Closing force adjustment position	Front
Optical closing force display	●
Safety valve as protection against vandalism	●
Thermo-constant valves	●
Integrated hold-open mechanism	Electric
Hold-open mechanism can be overridden	●
Integrated smoke switch	●
With visual status display	●
With soiling indicator	●
With adaption of the alarm threshold	●
Integrated power supply	●

● = yes

○ = no

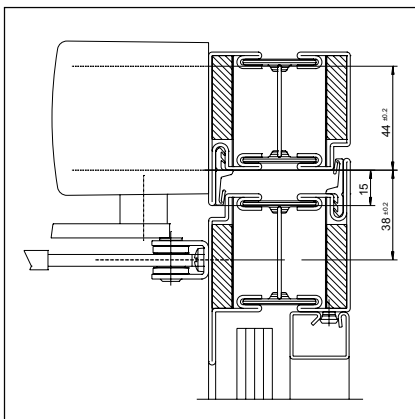
Transom installation/opposite hinge side TS 4000 R

View

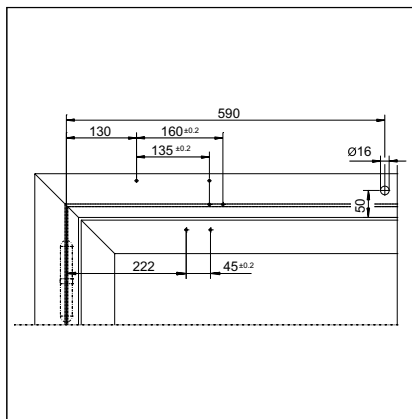


Installation example for GEZE TS 4000 R

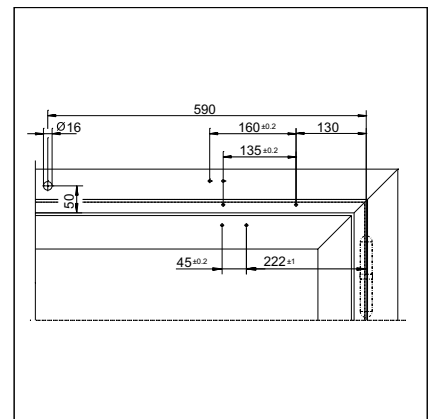
Direct installation



Cross section = direct installation

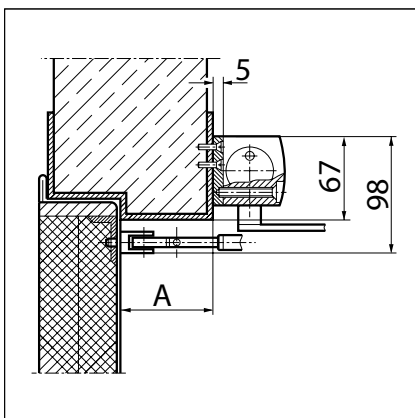


Fitting dimensions for right-hand door



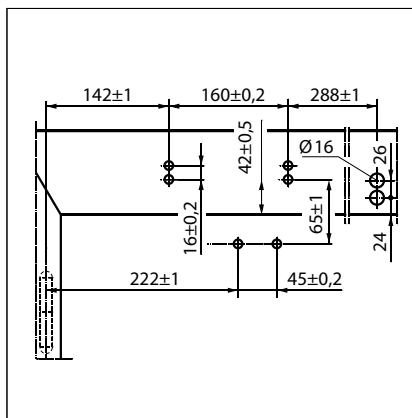
Fitting dimensions for left-hand door

Installation with mounting plate

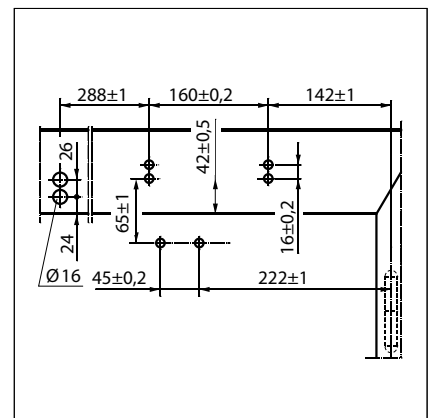


Cross section = installation with mounting plate

A = max. 70 mm lintel depth with fire and smoke protection doors



Fitting dimensions for right-hand door



Fitting dimensions for left-hand door

GEZE TS 4000 R - Order information

Designation	Version	ID.No.
GEZE TS 4000 R KM BG closer Size EN 1-6, transom installation on opposite hinge side, featuring electric hold-open device and integrated smoke switch control unit (without link arm)	silver-coloured acc. to RAL ²⁾	105241 105242
GEZE TS 4000 R KM BS closer ³⁾ Size EN 1-3, transom installation on hinge side, featuring electric hold-open device and integrated smoke switch control unit (without guide rail)	silver-coloured acc. to RAL ²⁾	105243 105267
Guide rail TS 4000 E/R With lever, designed for transom installation on hinge side	silver-coloured acc. to RAL ²⁾	102527 102530
Link arm TS 4000/2000 Extended, for transom installation with a reveal depth of 70-170 mm	silver-coloured	102431
	dark bronze	102432
	white RAL 9016	102433
	acc. to RAL ²⁾	102434
Link arm TS 4000/2000 Standard	silver-coloured	102421
	dark bronze	102422
	white RAL 9016	102423
	simulated stainless steel ¹⁾	102426
acc. to RAL ²⁾	102425	
Installation material		
Spindle extension for TS 4000/TS 2000 Crown type connection	10 mm galvanised	103548
	10 mm black	103677
	15 mm galvanised	103549
	15 mm black	103678
	20 mm galvanised	103550
	20 mm black	103679
Door closer mounting plate For TS 5000 RFS KM/4000 R & R-IS with hole pattern acc. to DIN EN 1154 Supplement 1	black	058808
Accessories		
GEZE smoke detector GC 152 Complete with base, 24 V DC, 20 mA, tested in accordance with EN54-7, with general approval for use with all GEZE hold-open systems, integrated line monitoring, conform with DIN EN 14637	white	139850
GEZE thermal detector GC 153 Complete with base, 24 V DC, 20 mA, tested in accordance with EN54-5, with general approval for use with all GEZE hold-open systems, integrated line monitoring, conform with DIN EN 14637	white	139881
GEZE manual trigger switch Flush-mounted version, for manual release of electrically controllable door hold-open mechanisms	alpine white	116266
GEZE manual trigger switch with glass cover and 5 interchangeable letterings Flush-mounted version, for manual release of electrically controllable door hold-open mechanisms	alpine white	120880
Replacement glass cover for GEZE manual trigger switch 120880 and 120881		010994

1) Only suitable for dry rooms

2) Surcharge for special RAL colours, see general information

3) Not currently approved for fire and smoke protection doors, EN size 3, leaf width up to 950 mm

GEZE TS 4000 EFS

Link arm door closer for single-leaf doors with a leaf width up to 1400 mm featuring electric freeswing-function

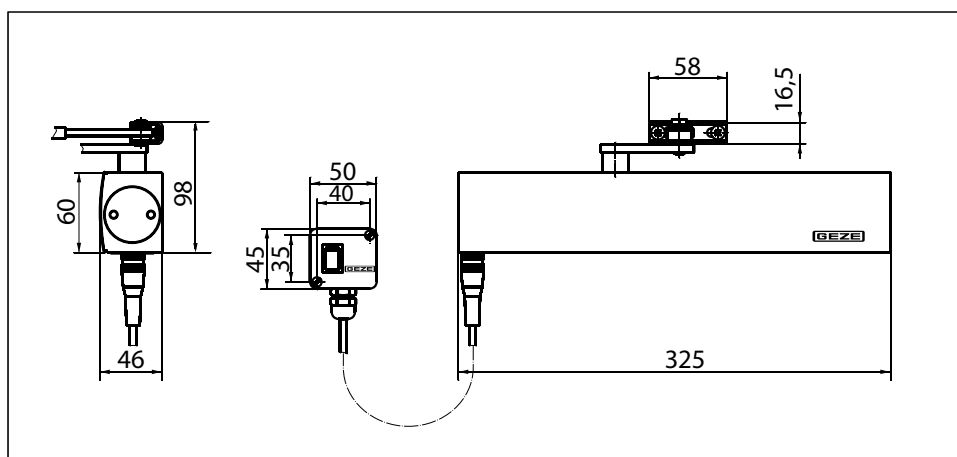
TS 4000 EFS (24 V DC) overhead door closer for single-leaf doors features what is known as a "freeswing" function. After the freeswing function has been activated by opening the door once by an angle of approximately 90° (e.g. in the morning), users can pass through the door in either direction without having to press very hard on the door at all. This function is particularly useful in retirement homes or hospitals, for example. TS 4000 EFS features an electric hold-open that is infinitely variable between 80° and 175° in accordance with EN 1155 to support the freeswing function. It is approved for use with left and right single-action doors with a door leaf width up to 1400 mm and for mounting on fire and smoke protection doors. The size 1-6 closing force to EN 1154, with optical size indicator, and the thermo-constant closing speed can be conveniently adjusted from the front; the latching action is adjusted by means of the link arm.

Please note: Due to the guideline of hold-open systems of the DIBt (German Institution for Construction Technology) a circuit breaker is imperatively stipulated when using a door closer with freeswing function.

Special version:

- GEZE TS 4000 EFS/transom installation on opposite hinge side 24 V DC

GEZE TS 4000 EFS



Application range

- For single-action doors, leaf width up to 1400 mm
- Compatible with left-hand and right-hand doors without the need for conversion
- For fire protection doors (door closers with mounting plate)
- Standard installation on door leaf, hinge side; transom installation on opposite hinge side also possible
- Transom installation on hinge side possible with freeswing guide rail, closing force EN3, not approved for fire protection doors

Closer technical data

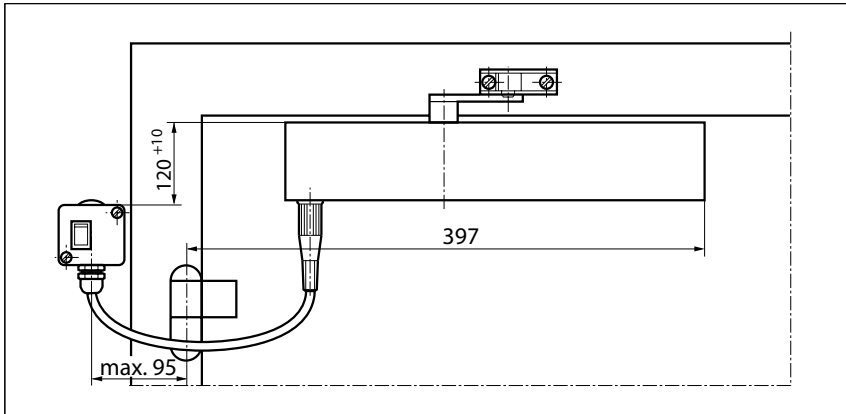
Product features	GEZE TS 4000 EFS closer
Closing force in accordance with EN 1154	1 - 6
Leaf width recommended up to	1400 mm
Identical version DIN-L and DIN-R	●
Supply voltage	24 V DC
Enclosure rating	IP 43
Product tested in acc. with	Door closer tested in acc. with EN 1154 Hold-open mechanism tested in acc. with EN 1155
Suitable for fire protection doors	●
Mounting plate with hole pattern acc. to EN 1154 Supplement 1	●
Length	325 mm
Installation depth	46 mm
Height	60 mm
Functions	
Adjustable closing force	● with variable adjustment
Adjustable closing speed	●
Adjustable latching action	● via link arm
Integrated back check	○
Closing force adjustment position	Front
Optical closing force display	●
Safety valve as protection against vandalism	●
Thermo-constant valves	●
Integrated hold-open device	Electric
Freeswing area	80°-175°

● = yes

○ = no

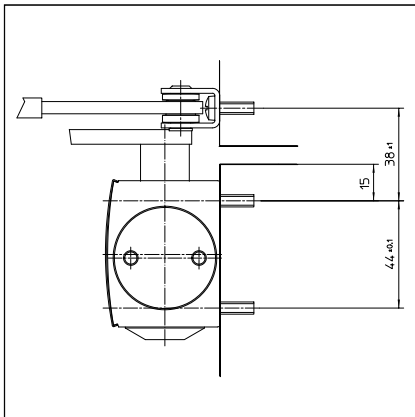
Door leaf installation/hinge side TS 4000 EFS

View

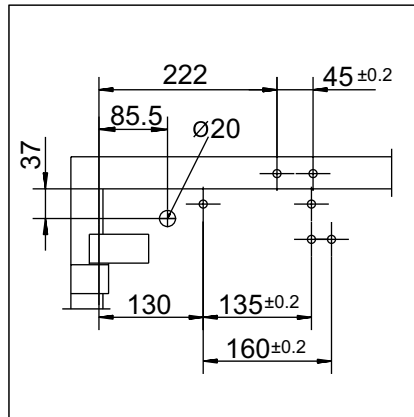


Installation example for GEZE TS 4000 EFS

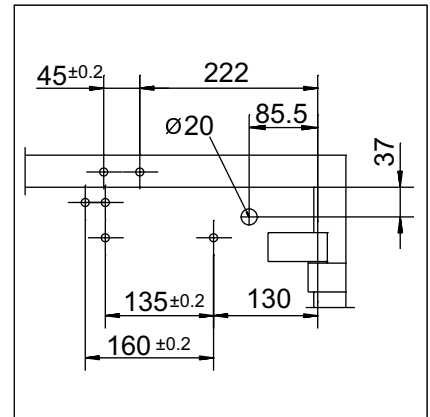
Direct installation



Cross section = direct installation

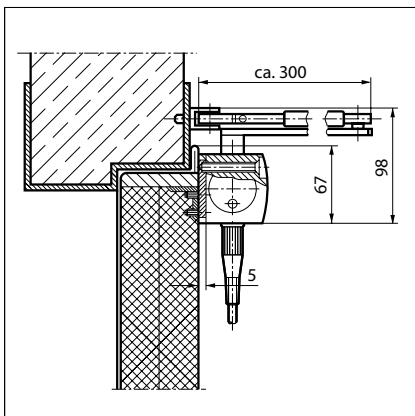


Fitting dimensions for left-hand door

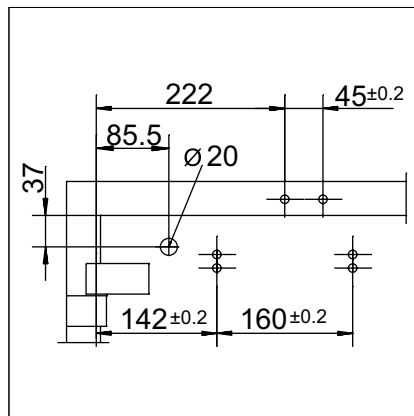


Fitting dimensions for right-hand door

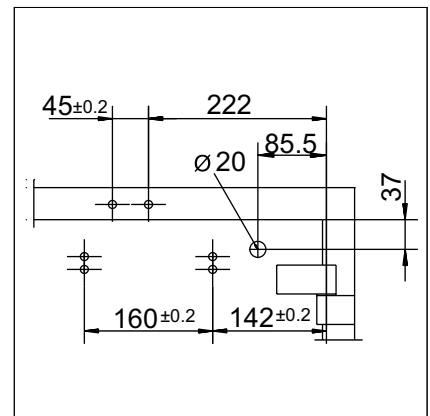
Installation with mounting plate



Cross section = installation with mounting plate



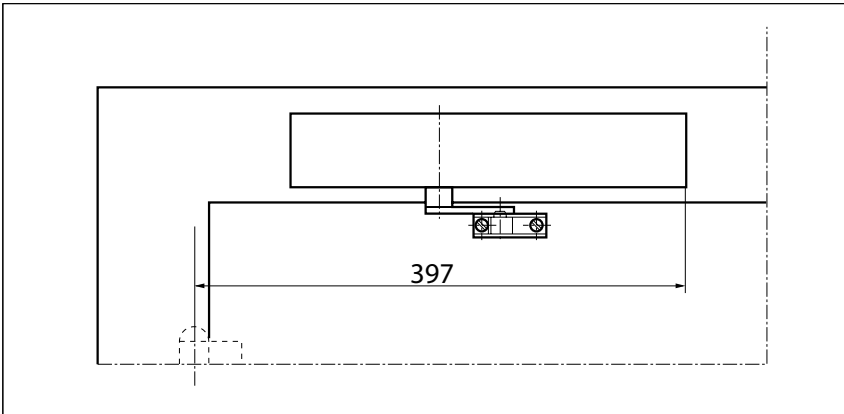
Fitting dimensions for left-hand door



Fitting dimensions for right-hand door

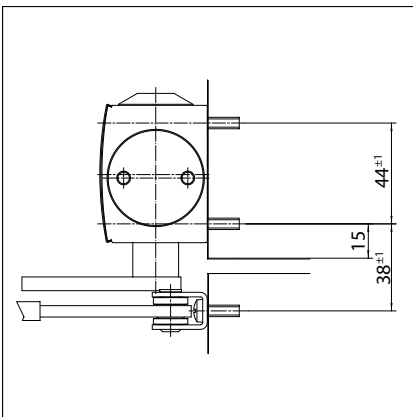
Transom installation/opposite hinge side TS 4000 EFS

View

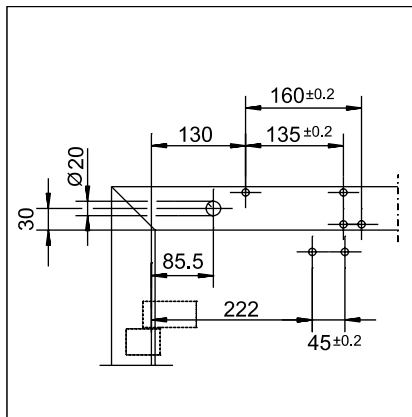


Installation example for GEZE TS 4000 EFS

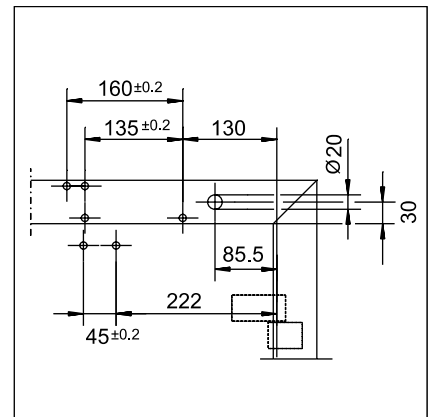
Direct installation



Cross section = direct installation

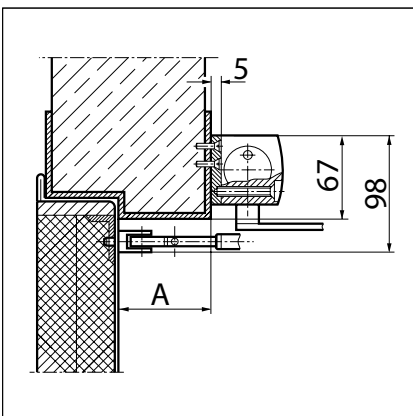


Fitting dimensions for right-hand door

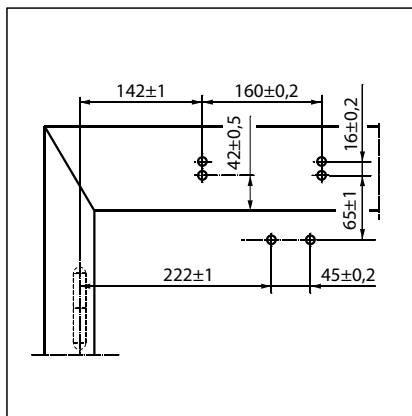


Fitting dimensions for left-hand door

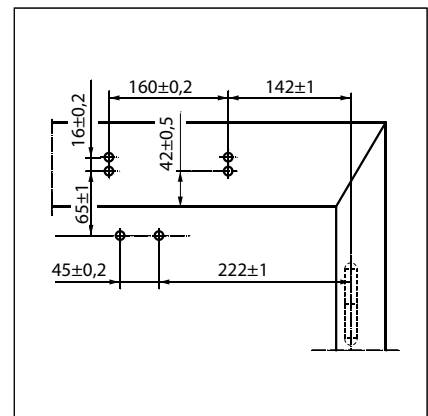
Installation with mounting plate



Cross section = installation with mounting plate
A = max. 70 mm lintel depth with fire and smoke protection doors



Fitting dimensions for right-hand door



Fitting dimensions for left-hand door

GEZE TS 4000 EFS - Order information

Designation	Version	ID.No.
GEZE TS 4000 EFS closer Size EN 1-6, door leaf installation on hinge side, featuring electric hold-open device for freeswing function and connector box (without freeswing arm)	silver-coloured acc. to RAL	105211 105212
GEZE TS 4000 EFS KM BG closer Size EN 1-6, transom installation on opposite hinge side, featuring electric hold-open device for freeswing function (without freeswing arm)	silver-coloured acc. to RAL	105213 105214
GEZE TS 4000 EFS KM BS closer ³⁾ Size EN 1-3, transom installation on hinge side, featuring electric hold-open device for freeswing function (without freeswing guide rail)	silver-coloured acc. to RAL	105235 105236
Guide rail TS 4000 EFS/RFS ³⁾ With freeswing function and lever, designed for transom installation on hinge side	silver-coloured acc. to RAL	106844 106466
Link arm TS 4000 EFS/RFS With freeswing function	silver-coloured acc. to RAL ²⁾	106460 106462
Installation material		
Spindle extension for TS 4000/TS 2000 Crown type connection	10 mm galvanised	103548
	10 mm black	103677
	15 mm galvanised	103549
	15 mm black	103678
	20 mm galvanised	103550
	20 mm black	103679
Door closer drilling template For TS 5000/4000/3000/2000		053134
Link arm mounting plate For TS 4000/2000, with narrow rebates	silver-coloured	057109
	acc. to RAL ²⁾	082506
Link arm mounting plate For TS 4000/2000, with parallel arm mounting	silver-coloured	053318
	dark bronze	053319
	acc. to RAL ²⁾	027460
Door closer mounting plate For TS 5000 EFS/RFS/EHY / 4000 E with hole pattern acc. to DIN EN 1154 Supplement 1	silver-coloured	059107
	acc. to RAL ²⁾	100044
Accessories		
GEZE smoke switch control unit RSZ 6 Smoke switch and power supply for all GEZE hold-open mechanisms	silver-coloured	099851
	dark bronze	099857
	white RAL 9016	099858
	simulated stainless steel ¹⁾	099856
	acc. to RAL ²⁾	099859
GEZE smoke detector GC 152 Complete with base, 24 V DC, 20 mA, tested in accordance with EN54-7, with general approval for use with all GEZE hold-open systems, integrated line monitoring, conform with DIN EN 14637	white	139850
GEZE thermal detector GC 153 Complete with base, 24 V DC, 20 mA, tested in accordance with EN54-5, with general approval for use with all GEZE hold-open systems, integrated line monitoring, conform with DIN EN 14637	white	139881
GEZE manual trigger switch Flush-mounted version, for manual release of electrically controllable door hold-open mechanisms	alpine white	116266
GEZE manual trigger switch with glass cover and 5 interchangeable letterings Flush-mounted version, for manual release of electrically controllable door hold-open mechanisms	alpine white	120880
Replacement glass cover for GEZE manual trigger switch 120880 and 120881		010994

1) Only suitable for dry rooms

2) Surcharge for special RAL colours, see general information

3) Not approved for fire and smoke protection doors in Germany

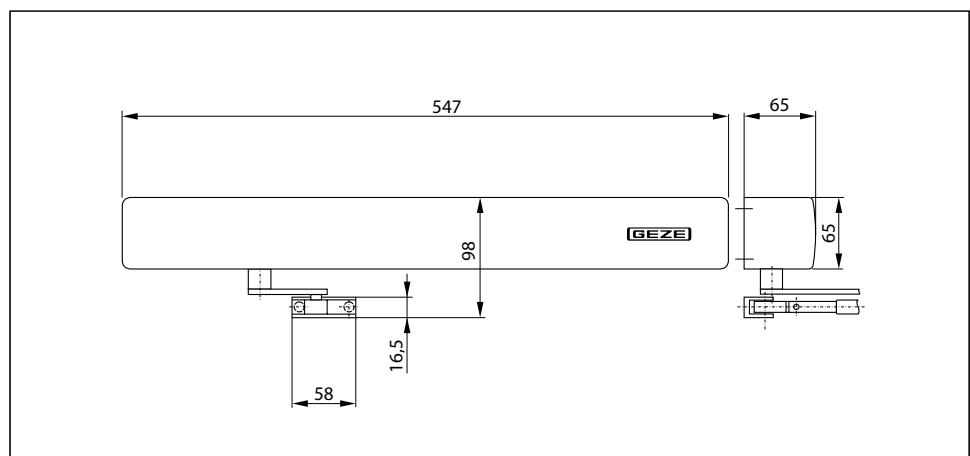
GEZE TS 4000 RFS

Link arm door closer for single-leaf doors with a leaf width up to 1400 mm featuring electric freeswing function and smoke switch control unit

TS 4000 RFS overhead door closer for single-leaf doors features what is known as a "freeswing" function. After the freeswing function has been activated by opening the door once by an angle of approximately 90° (e.g. in the morning), users can pass through the door in either direction without having to press very hard on the door at all. This function is particularly useful in retirement homes or hospitals, for example. TS 4000 RFS features an infinitely variable electric hold-open in accordance with EN 1155 and a smoke switch control unit built into the closer cover. It is approved for use with left and right single-action doors with a door leaf width up to 1400 mm and for mounting on fire and smoke protection doors. The size 1-6 closing force to EN 1154, with optical size indicator, and the thermo-constant closing speed can be conveniently adjusted from the front; the latching action is adjusted by means of the link arm. The product has been granted official building approval of a general nature by the DIBt (German Institute for Building Technology) (EN 1155 and DIBt approval not applicable to transom installation on the hinge side).

Please note: Due to the guideline of hold-open systems of the DIBt (German Institution for Construction Technology) a circuit breaker is imperatively stipulated when using a door closer with freeswing function.

GEZE TS 4000 RFS



Application range

- For single-action doors, leaf width up to 1400 mm
- Compatible with left-hand and right-hand doors without the need for conversion
- For fire protection doors (door closers with mounting plate)
- Standard installation involving transom installation on opposite hinge side
- Transom installation on hinge side possible with freeswing guide rail, closing force EN3, not approved for fire protection doors

Closer technical data

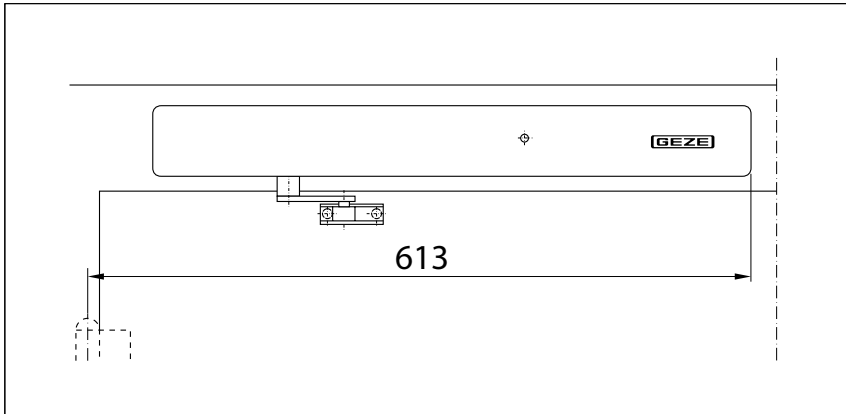
Product features	GEZE TS 4000 RFS KM BG closer
Closing force in accordance with EN 1154	1 - 6
Leaf width recommended up to	1400 mm
Identical version DIN-L and DIN-R	●
Supply voltage	230 V 50 Hz
Enclosure rating	IP 20
Product tested in acc. with	Door closer tested in acc. with EN 1154 Hold-open mechanism tested in acc. with EN 1155 Official building approval of a general nature from the DIBt (German Institute for Building Technology) for use as a hold-open system
Suitable for fire protection doors	●
Mounting plate with hole pattern acc. to EN 1154 Supplement 1	●
Length	547 mm
Installation depth	65 mm
Height	65 mm
Functions	
Adjustable closing force	● with variable adjustment
Adjustable closing speed	●
Adjustable latching action	● via link arm
Integrated back check	○
Closing force adjustment position	Front
Optical closing force display	●
Safety valve as protection against vandalism	●
Thermo-constant valves	●
Integrated hold-open device	Electric
Integrated smoke switch	●
With visual status display	●
With soiling indicator	●
With adaption of the alarm threshold	●
Integrated power supply	●
Freeswing area	80°-175°

● = yes

○ = no

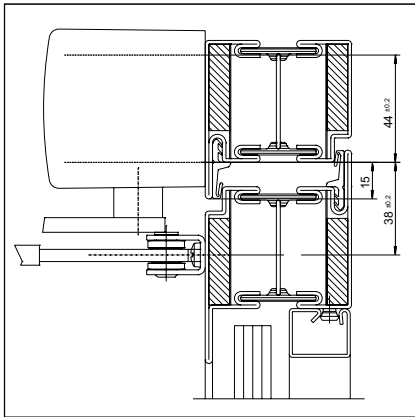
Transom installation/opposite hinge side TS 4000 RFS

View

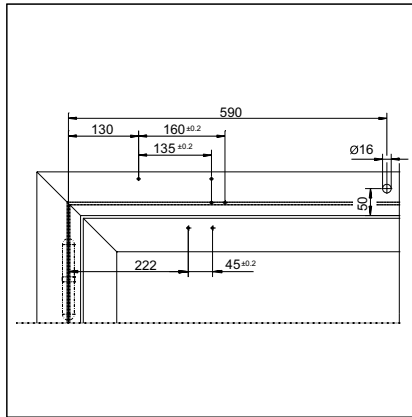


Installation example for GEZE TS 4000 RFS

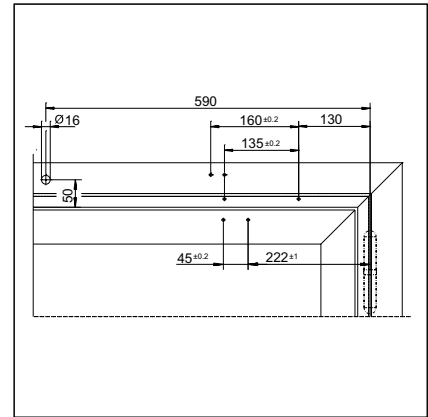
Direct installation



Cross section = direct installation

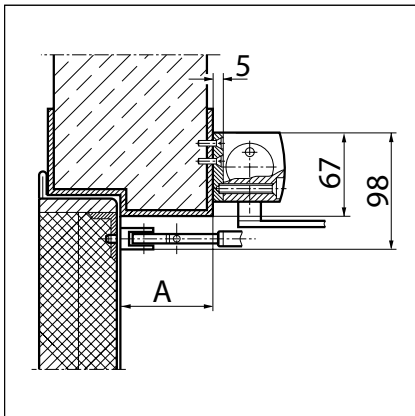


Fitting dimensions for right-hand door

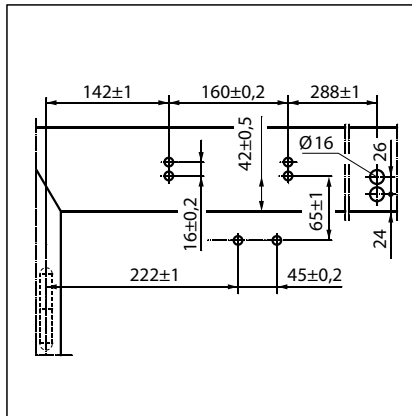


Fitting dimensions for left-hand door

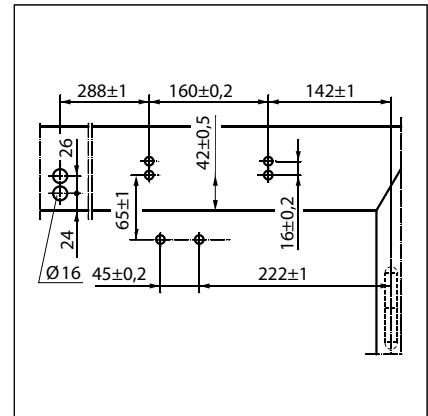
Installation with mounting plate



Cross section = installation with mounting plate, A = max. 70 mm lintel depth with fire and smoke protection doors



Fitting dimensions for right-hand door



Fitting dimensions for left-hand door

GEZE TS 4000 RFS - Order information

Designation	Version	ID.No.
GEZE TS 4000 RFS KM BG closer Size EN 1-6, transom installation on opposite hinge side, featuring electric hold-open device for freeswing function and integrated smoke switch control unit (without freeswing arm)	silver-coloured acc. to RAL	105241 105242
GEZE TS 4000 RFS KM BS closer ³⁾ Size EN 1-3, transom installation on hinge side, featuring electric hold-open device for freeswing function and integrated smoke switch control unit (without freeswing guide rail)	silver-coloured acc. to RAL	105243 105267
Guide rail TS 4000 EFS/RFS With freeswing function and lever, designed for transom installation on hinge side	silver-coloured acc. to RAL	106844 106466
Link arm TS 4000 EFS/RFS With freeswing function	silver-coloured acc. to RAL ²⁾	106460 106462
Installation material		
Spindle extension for TS 4000/TS 2000 Crown type connection	10 mm galvanised	103548
	10 mm black	103677
	15 mm galvanised	103549
	15 mm black	103678
	20 mm galvanised	103550
	20 mm black	103679
Door closer mounting plate For TS 5000 RFS KM/4000 R & R-IS with hole pattern acc. to DIN EN 1154 Supplement 1	black	058808
Accessories		
GEZE smoke detector GC 152 Complete with base, 24 V DC, 20 mA, tested in accordance with EN54-7, with general approval for use with all GEZE hold-open systems, integrated line monitoring, conform with DIN EN 14637	white	139850
GEZE thermal detector GC 153 Complete with base, 24 V DC, 20 mA, tested in accordance with EN54-5, with general approval for use with all GEZE hold-open systems, integrated line monitoring, conform with DIN EN 14637	white	139881
GEZE manual trigger switch Flush-mounted version, for manual release of electrically controllable door hold-open mechanisms	alpine white	116266
GEZE manual trigger switch with glass cover and 5 interchangeable letterings Flush-mounted version, for manual release of electrically controllable door hold-open mechanisms	alpine white	120880
Replacement glass cover for GEZE manual trigger switch 120880 and 120881		010994

1) Only suitable for dry rooms

2) Surcharge for special RAL colours, see general information

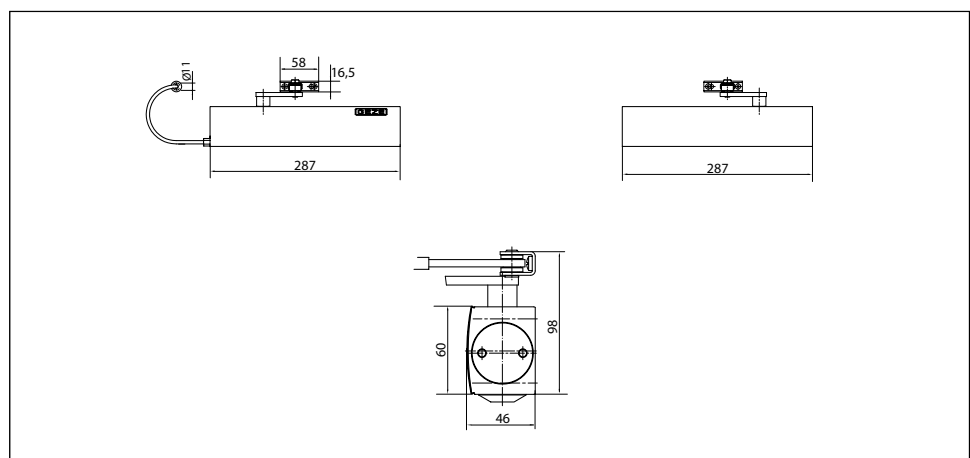
3) Not approved for fire and smoke protection doors, EN size 3, leaf width up to 950 mm

GEZE TS 4000 IS

Link arm door closer system for double-leaf doors with a hinge clearance up to 2800 mm featuring integrated closing sequence control

TS 4000 IS overhead door closer system, featuring integrated hydraulic closing sequence control, is approved for mounting on fire and smoke protection doors. The integrated closing sequence control, featuring protection against vandalism, ensures that both door leaves close in the correct order when used with double-leaf doors. When the door closes, the active leaf remains in the waiting position until the fixed leaf is closed and until the active leaf is released by the closing sequence control. The size 1-6 closing force to EN 1154, with optical size indicator, and the closing speed can be adjusted from the front. The latching action is adjusted by means of the link arm.

GEZE TS 4000 IS



Application range

- For double-leaf doors, leaf width up to 1400 mm
- Compatible with left-hand and right-hand doors without the need for conversion
- For fire protection doors (door closers with mounting plate)
- Standard installation on door leaf, hinge side; transom installation on opposite hinge side also possible

Closer technical data

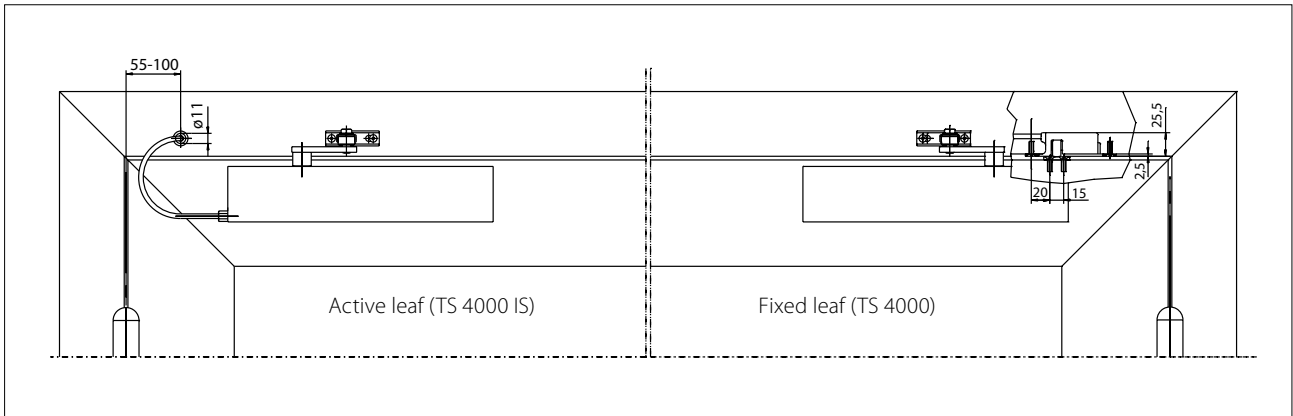
Product features	GEZE TS 4000 IS closer	GEZE TS 4000 closer
Closing force in accordance with EN 1154		1 - 6
Leaf width recommended up to		1400 mm
Identical version DIN-L and DIN-R	●	●
Product tested in acc. with	Door closer tested in acc. with EN 1154 Door closing sequence selector tested in acc. with EN 1158	Door closer tested in acc. with EN 1154
Suitable for fire protection doors	●	●
Mounting plate with hole pattern acc. to EN 1154 Supplement 1	●	●
Length		287 mm
Installation depth		46 mm
Height		60 mm
Functions		
Adjustable closing force		● with variable adjustment
Adjustable closing speed	●	●
Adjustable latching action		● via link arm
Integrated back check	○	● hydraulically adjustable
Closing force adjustment position		Front
Optical closing force display	●	●
Safety valve as protection against vandalism	●	●
Thermo-constant valve	●	●
Integrated closing sequence control	●	

● = yes

○ = no

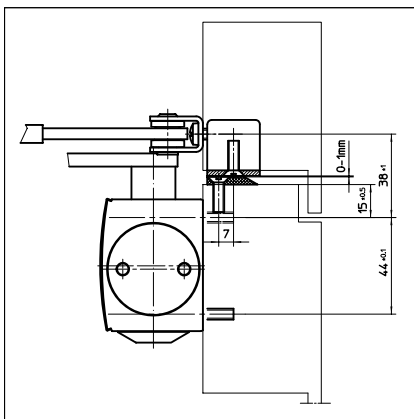
Door leaf installation/hinge side TS 4000 IS

View

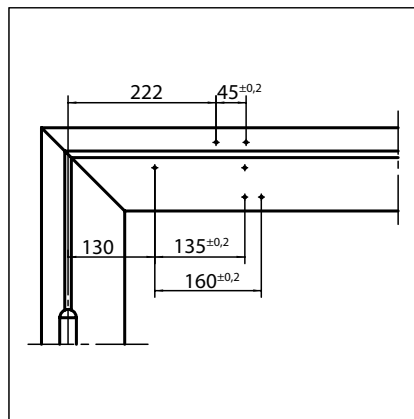


Installation example for GEZE TS 4000 IS

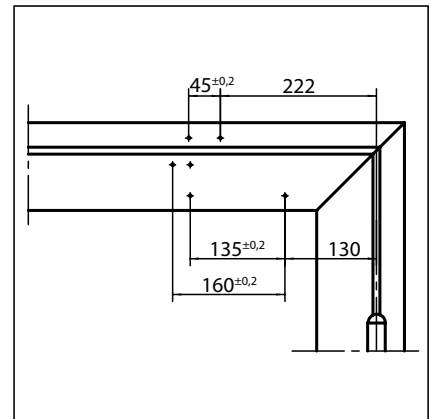
Direct installation



Cross section = direct installation

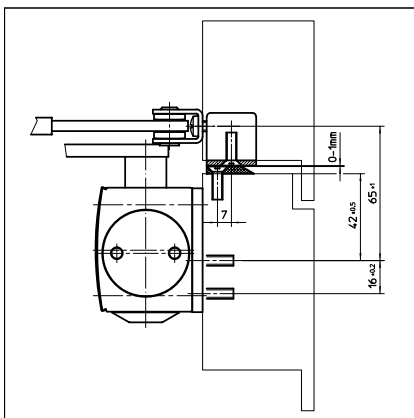


Fitting dimensions for left-hand door

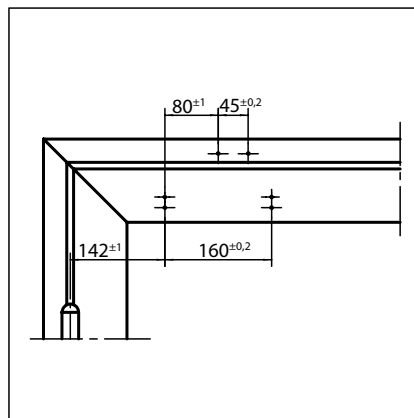


Fitting dimensions for right-hand door

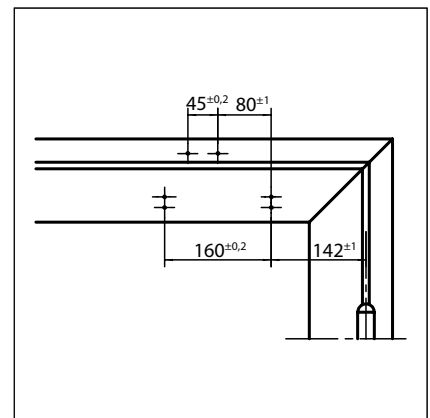
Installation with mounting plate



Cross section = installation with mounting plate



Fitting dimensions for left-hand door



Fitting dimensions for right-hand door

GEZE TS 4000 IS - Order information

Designation	Version	ID.No.
GEZE TS 4000 IS closer Size EN 1-6 with integrated closing sequence control (without release mechanism and link arm)	silver-coloured	102798
	dark bronze	102799
	white RAL 9016	102801
	acc. to RAL ²⁾	102802
GEZE TS 4000 closer Size EN 1-6 with back check (without link arm)	silver-coloured	102789
	dark bronze	102790
	white RAL 9016	102791
	acc. to RAL ²⁾	102792
Link arm TS 4000/2000 Extended, for transom installation with a reveal depth of 70-170 mm	silver-coloured	102431
	dark bronze	102432
	white RAL 9016	102433
	acc. to RAL ²⁾	102434
Link arm TS 4000/2000 Standard	silver-coloured	102421
	dark bronze	102422
	white RAL 9016	102423
	simulated stainless steel ¹⁾	102426
	acc. to RAL ²⁾	102425
Installation material		
Spindle extension for TS 4000/TS 2000 Crown type connection	10 mm galvanised	103548
	10 mm black	103677
	15 mm galvanised	103549
	15 mm black	103678
	20 mm galvanised	103550
	20 mm black	103679
Door closer drilling template For TS 5000/4000/3000/2000		053134
Glass clamping plate for door closer For TS 5000/TS 4000	silver-coloured	057126
	dark bronze	057127
	white RAL 9016	009491
	acc. to RAL ²⁾	009494
All-glass door mounting and counter plate For TS 5000/TS 4000	silver-coloured	007923
	dark bronze	007924
	acc. to RAL ²⁾	007926
Link arm mounting plate For TS 4000/2000, with narrow rebates	silver-coloured	057109
	acc. to RAL ²⁾	082506
Link arm mounting plate For TS 4000/2000, with parallel arm mounting	silver-coloured	053318
	dark bronze	053319
	acc. to RAL ²⁾	027460
Door closer mounting plate For TS 5000/4000 with hole pattern acc. to DIN EN 1154 Supplement 1	silver-coloured	049185
	dark bronze	052351
	white RAL 9016	068627
	galvanised	057956
	acc. to RAL ²⁾	029176
Lintel casing bracket for transom installation opposite hinge side For TS 5000/TS 4000	silver-coloured	049240
	dark bronze	052352
	acc. to RAL ²⁾	104451
Accessories		
Closing sequence control release mechanism For TS 4000 IS / E-IS	No.1 hinge clearance 1200-1500 mm	058306
	No.2 hinge clearance 1500-1800 mm	058307
	No.3 hinge clearance 1800-2100 mm	058308
	No.4 hinge clearance 2100-2400 mm	058309
	No.5 hinge clearance 2400-2700 mm	058310
	No.6 hinge clearance of more than 2700 mm	058311

1) Only suitable for dry rooms

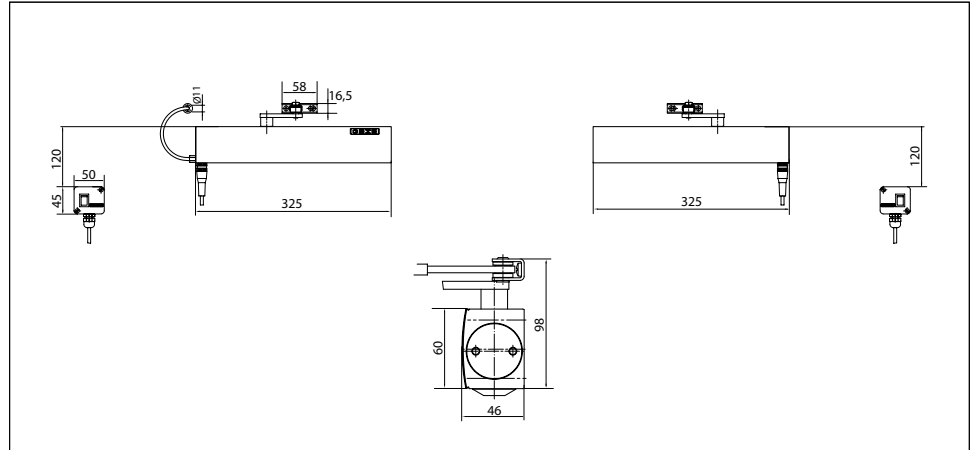
2) Surcharge for special RAL colours, see general information

GEZE TS 4000 E-IS

Link arm door closer system for double-leaf doors with a hinge clearance up to 2800 mm featuring integrated closing sequence control and electric hold-open

TS 4000 E-IS (24 V DC) overhead door closer system, featuring integrated hydraulic closing sequence control and electric hold-open, is approved for mounting on fire and smoke protection doors. The integrated closing sequence control, featuring protection against vandalism, ensures that both door leaves close in the correct order when used with double-leaf doors. When the door closes, the active leaf remains in the waiting position until the fixed leaf is closed and until the active leaf is released by the closing sequence control. The electric hold-open is infinitely variable between 80° and 175° in accordance with EN 1155. The size 1-6 closing force to EN 1154, with optical size indicator, and the closing speed can be adjusted from the front. The latching action is adjusted by means of the rod assembly.

GEZE TS 4000 E-IS



Application range

- For double-leaf doors, leaf width up to 1400 mm
- Compatible with left-hand and right-hand doors without the need for conversion
- For fire protection doors (door closers with mounting plate)
- Standard installation on door leaf, hinge side; transom installation on opposite hinge side also possible

Closer technical data

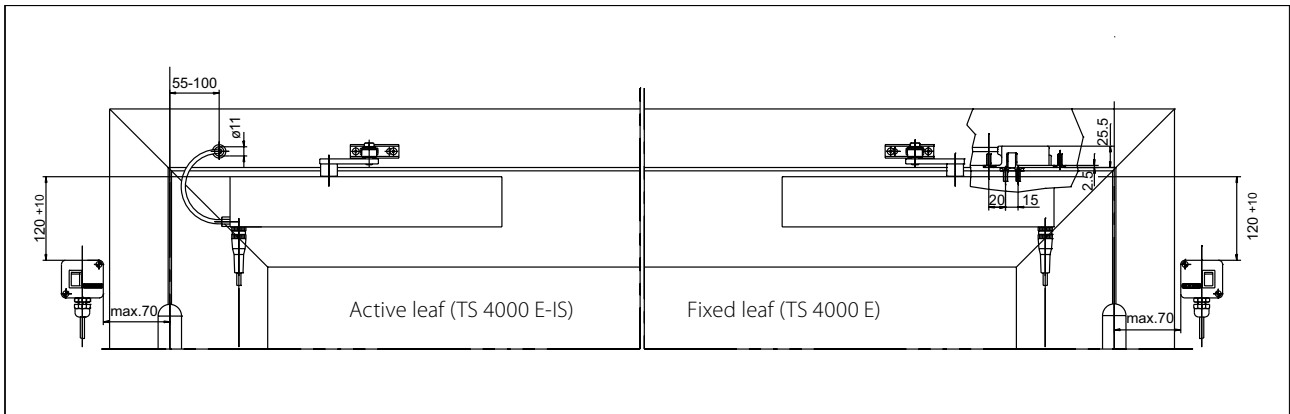
Product features	GEZE TS 4000 E-IS closer	GEZE TS 4000 E closer
Closing force in accordance with EN 1154		1 - 6
Leaf width recommended up to		1400 mm
Identical version DIN-L and DIN-R	●	●
Supply voltage		24 V DC
Enclosure rating		IP 43
Product tested in acc. with	Door closer tested in acc. with EN 1154 Hold-open mechanism tested in acc. with EN 1155 Door closing sequence selector tested in acc. with EN 1158	Door closer tested in acc. with EN 1154 Hold-open mechanism tested in acc. with EN 1155
Suitable for fire protection doors	●	●
Mounting plate with hole pattern acc. to EN 1154 Supplement 1	●	●
Length		325 mm
Installation depth		46 mm
Height		60 mm
Functions		
Adjustable closing force		● with variable adjustment
Adjustable closing speed	●	●
Adjustable latching action		● via link arm
Integrated back check		○
Closing force adjustment position		Front
Optical closing force display	●	●
Safety valve as protection against vandalism	●	●
Thermo-constant valves	●	●
Integrated closing sequence control	●	
Integrated hold-open mechanism		Electric
Hold-open mechanism can be overridden	●	●
Hold-open angle		80°-175°

● = yes

○ = no

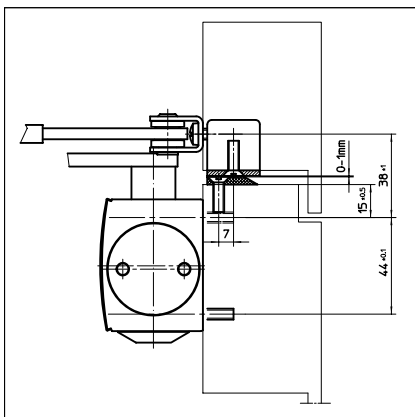
Door leaf installation/hinge side TS 4000 E-IS

View

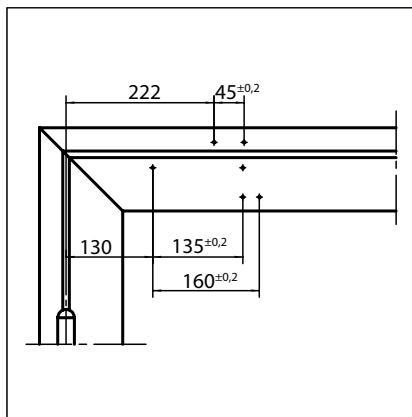


Installation example for GEZE TS 4000 E-IS

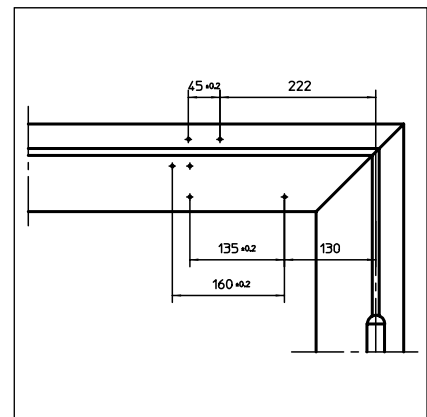
Direct installation



Cross section = direct installation

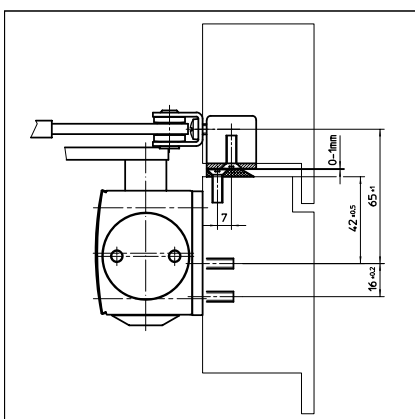


Fitting dimensions for left-hand door

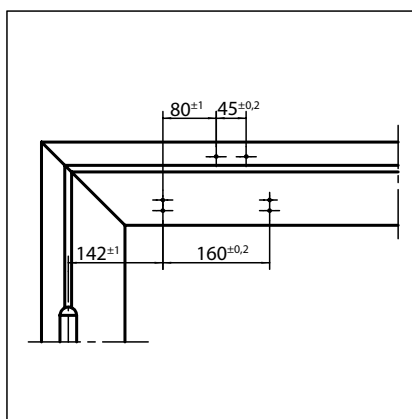


Fitting dimensions for right-hand door

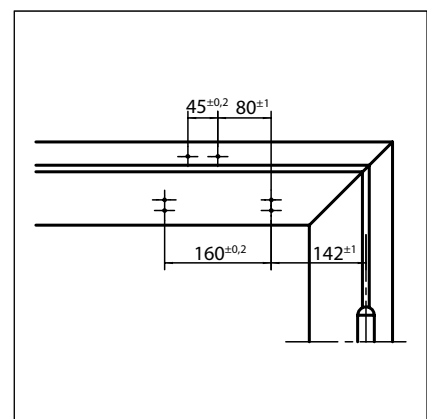
Installation with mounting plate



Cross section = installation with mounting plate



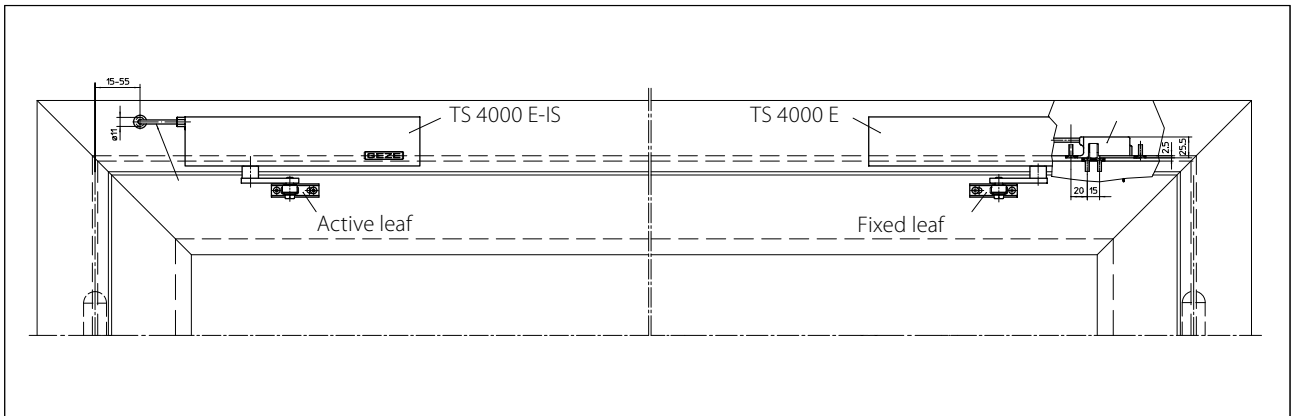
Fitting dimensions for left-hand door



Fitting dimensions for right-hand door

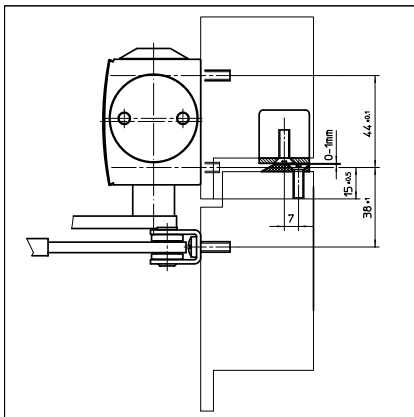
Transom installation/opposite hinge side TS 4000 E-IS

View

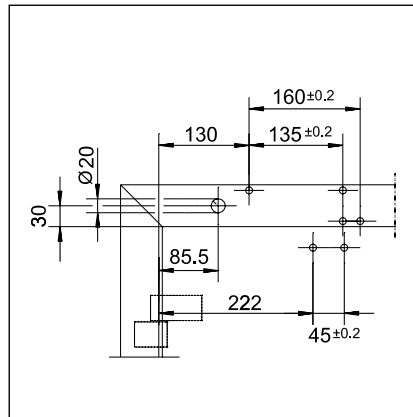


Installation example for GEZE TS 4000 E-IS

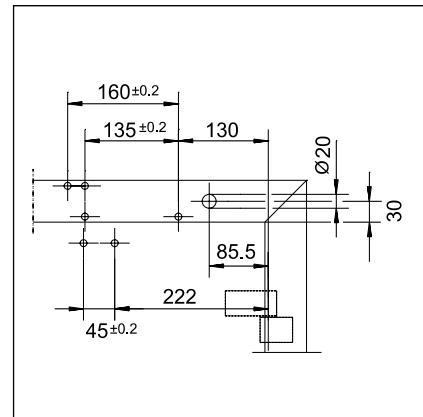
Direct installation



Cross section = direct installation

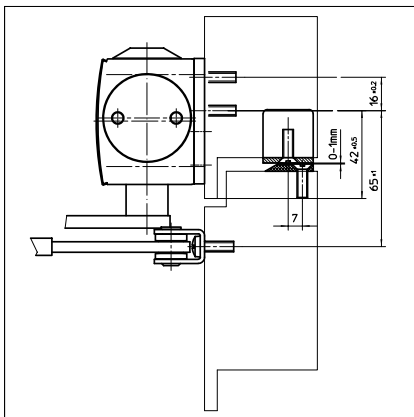


Fitting dimensions for right-hand door

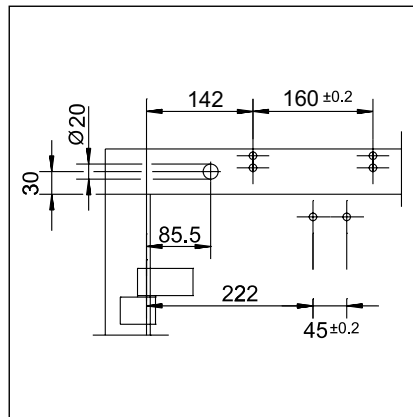


Fitting dimensions for left-hand door

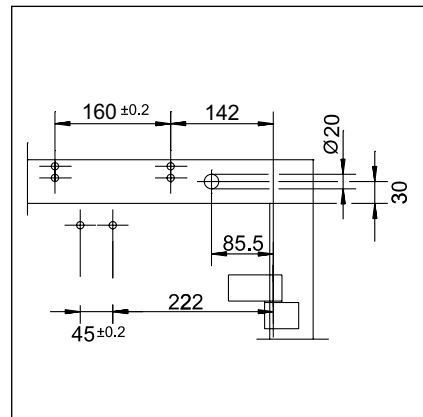
Installation with mounting plate



Cross section = installation with mounting plate



Fitting dimensions for right-hand door



Fitting dimensions for left-hand door

GEZE TS 4000 E-IS - Order information

Designation	Version	ID.No.	
GEZE TS 4000 E closer Size EN 1-6, door leaf installation on hinge side, featuring electric hold-open device and connector box (without link arm)	silver-coloured acc. to RAL ²⁾	105211 105212	
GEZE TS 4000 E KM BG closer Size EN 1-6, transom installation on opposite hinge side, featuring electric hold-open device (without link arm)	silver-coloured acc. to RAL ²⁾	105213 105214	
GEZE TS 4000 E-IS closer Size EN 1-6, door leaf installation on hinge side, featuring electric hold-open device, connector box, integrated closing sequence control and mounting plate (without release mechanism and link arm)	silver-coloured acc. to RAL ²⁾	105237 105238	
GEZE TS 4000 E-IS KM BG closer Size EN 1-6, transom installation on opposite hinge side, featuring electric hold-open device, integrated closing sequence control and mounting plate (without link arm and connector box)	silver-coloured acc. to RAL ²⁾	105239 105240	
Link arm TS 4000/2000 Extended, for transom installation with a reveal depth of 70-170 mm	silver-coloured	102431	
	dark bronze	102432	
	white RAL 9016	102433	
	acc. to RAL ²⁾	102434	
Link arm TS 4000/2000 Standard	silver-coloured	102421	
	dark bronze	102422	
	white RAL 9016	102423	
	simulated stainless steel ¹⁾	102426	
	acc. to RAL ²⁾	102425	
Installation material			
Spindle extension for TS 4000/TS 2000 Crown type connection	10 mm	galvanised	103548
	10 mm	black	103677
	15 mm	galvanised	103549
	15 mm	black	103678
	20 mm	galvanised	103550
	20 mm	black	103679
Door closer drilling template For TS 5000/4000/3000/2000		053134	
Link arm mounting plate For TS 4000/2000, with narrow rebates	silver-coloured	057109	
	acc. to RAL ²⁾	082506	
Link arm mounting plate For TS 4000/2000, with parallel arm mounting	silver-coloured	053318	
	dark bronze	053319	
	acc. to RAL ²⁾	027460	
Door closer mounting plate For TS 5000 EFS/RFS/EHY / 4000 E with hole pattern acc. to DIN EN 1154 Supplement 1	silver-coloured	059107	
	acc. to RAL ²⁾	100044	
1) Only suitable for dry rooms			
2) Surcharge for special RAL colours, see general information			

Accessories		
Closing sequence control release mechanism For TS 4000 IS/E-IS/R-IS	No.1 hinge clearance 1200-1500 mm	058306
	No.2 hinge clearance 1500-1800 mm	058307
	No.3 hinge clearance 1800-2100 mm	058308
	No.4 hinge clearance 2100-2400 mm	058309
	No.5 hinge clearance 2400-2700 mm	058310
	No.6 hinge clearance of more than 2700 mm	058311
GEZE smoke switch control unit RSZ 6 Smoke switch and power supply for all GEZE hold-open mechanisms	silver-coloured	099851
	dark bronze	099857
	white RAL 9016	099858
	simulated stainless steel ¹⁾	099856
	acc. to RAL ²⁾	099859
GEZE smoke detector GC 152 Complete with base, 24 V DC, 20 mA, tested in accordance with EN54-7, with general approval for use with all GEZE hold-open systems, integrated line monitoring, conform with DIN EN 14637	white	139850
GEZE thermal detector GC 153 Complete with base, 24 V DC, 20 mA, tested in accordance with EN54-5, with general approval for use with all GEZE hold-open systems, integrated line monitoring, conform with DIN EN 14637	white	139881
GEZE manual trigger switch Flush-mounted version, for manual release of electrically controllable door hold-open mechanisms	alpine white	116266
GEZE manual trigger switch with glass cover and 5 interchangeable letterings Flush-mounted version, for manual release of electrically controllable door hold-open mechanisms	alpine white	120880
Replacement glass cover for GEZE manual trigger switch 120880 and 120881		010994

1) Only suitable for dry rooms

2) Surcharge for special RAL colours, see general information

GEZE TS 4000 R-IS

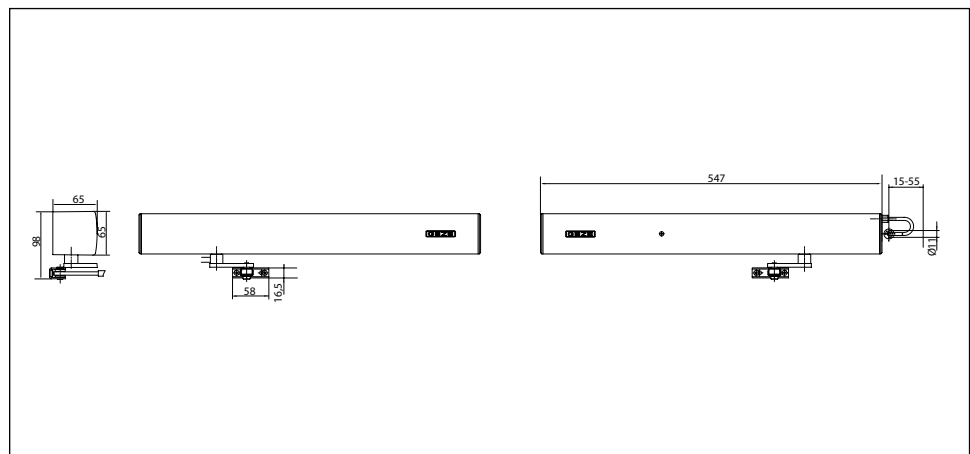
Link arm door closer system for double-leaf doors with a hinge clearance up to 2800 mm featuring integrated closing sequence control, electric hold-open and smoke switch control unit

TS 4000 R-IS overhead door closer system, featuring integrated hydraulic closing sequence control, electric hold-open and integrated smoke switch control unit, is approved for mounting on fire and smoke protection doors. In the event of a fire, the smoke detector is activated and the door closes automatically. When used with double-leaf doors, the integrated closing sequence control ensures that both door leaves close in the correct order. When the door closes, the active leaf remains in the waiting position until the fixed leaf is closed and until the active leaf is released by the closing sequence control. The electric hold-open is infinitely variable between 80° and 175° in accordance with EN 1155. The size 1-6 closing force to EN 1154, with optical size indicator and the closing speed can be adjusted from the front. The latching action is adjusted by means of the link arm. The product has been granted official building approval of a general nature by the DIBt (German Institute for Building Technology).

Special version:

- GEZE door closer TS 4000 R-IS second unit
Second unit (similar to TS 4000 R-IS), without smoke switch and power supply unit for direct connection to GEZE TS 4000 R-IS, for an identical "look". The product has been tested in accordance with the EN 1154 and EN 1155 standards.

GEZE TS 4000 R-IS



Application range

- For double-leaf doors, leaf width up to 1400 mm
- Compatible with left-hand and right-hand doors without the need for conversion
- For fire protection doors (door closers with mounting plate)
- Standard installation involving transom installation on opposite hinge side
- Transom installation on hinge side possible with guide rail, closing force EN3, not approved for fire protection doors

Closer technical data

Product features	GEZE TS 4000 R-IS KM BG closer	GEZE TS 4000 R-IS KM BG closer second unit
Closing force in accordance with EN 1154		1 - 6
Leaf width recommended up to		1400 mm
Identical version DIN-L and DIN-R	●	●
Supply voltage	230 V 50 Hz	24 V
Enclosure rating		IP 20
Product tested in acc. with	Door closer tested in acc. with EN 1154 Hold-open mechanism tested in acc. with EN 1155 Door closing sequence selector tested in acc. with EN 1158 Official building approval of a general nature from the DIBt (German Institute for Building Technology) for use as a hold-open system	Door closer tested in acc. with EN 1154 Hold-open mechanism tested in acc. with EN 1155
Suitable for fire protection doors	●	●
Mounting plate with hole pattern acc. to EN 1154 Supplement 1	●	●
Length		547 mm
Installation depth		65 mm
Height		65 mm
Functions		
Adjustable closing force		● with variable adjustment
Adjustable closing speed	●	●
Adjustable latching action		● via link arm
Integrated back check		○
Closing force adjustment position		Front
Optical closing force display	●	●
Safety valve as protection against vandalism	●	●
Thermo-constant valves	●	●
Integrated closing sequence control	●	
Integrated hold-open device		Electric
Hold-open angle		80°-175°
Hold-open device can be overridden	●	●
Integrated smoke switch	●	
With visual status display	●	
With soiling indicator	●	
With adaption of the alarm threshold	●	
Integrated power supply	●	

● = yes

○ = no

GEZE TS 4000 R-IS - Order information

Designation	Version	ID.No.
GEZE TS 4000 R-IS KM BG closer Size EN 1-6, transom installation on opposite hinge side, featuring integrated closing sequence control, electric hold-open device and smoke switch control unit (without link arm and release mechanism)	silver-coloured acc. to RAL ²⁾	105244 105245
GEZE TS 4000 R-IS KM BG closer second unit Size EN 1-6, transom installation on opposite hinge side, featuring electric hold-open device (without smoke switch control unit and link arm)	silver-coloured acc. to RAL ²⁾	105246 105247
Link arm TS 4000/2000 Extended, for transom installation with a reveal depth of 70-170 mm	silver-coloured	102431
	dark bronze	102432
	white RAL 9016	102433
	acc. to RAL ²⁾	102434
Link arm TS 4000/2000 Standard	silver-coloured	102421
	dark bronze	102422
	white RAL 9016	102423
	simulated stainless steel ¹⁾	102426
acc. to RAL ²⁾	102425	
Installation material		
Door closer mounting plate For TS 5000 RFS KM/4000 R & R-IS with hole pattern acc. to DIN EN 1154 Supplement 1	black	058808
Accessories		
Closing sequence control release mechanism For TS 5000 IS/E-IS/R-IS	Nr.1 hinge clearance 1200-1500 mm	058306
	Nr.2 hinge clearance 1500-1800 mm	058307
	Nr.3 hinge clearance 1800-2100 mm	058308
	Nr.4 hinge clearance 2100-2400 mm	058309
	Nr.5 hinge clearance 2400-2700 mm	058310
	Nr.6 hinge clearance of more than 2700 mm	058311
GEZE smoke detector GC 152 Complete with base, 24 V DC, 20 mA, tested in accordance with EN54-7, with general approval for use with all GEZE hold-open systems, integrated line monitoring, conform with DIN EN 14637	white	139850
GEZE thermal detector GC 153 Complete with base, 24 V DC, 20 mA, tested in accordance with EN54-5, with general approval for use with all GEZE hold-open systems, integrated line monitoring, conform with DIN EN 14637	white	139881
GEZE manual trigger switch Flush-mounted version, for manual release of electrically controllable door hold-open mechanisms	alpine white	116266
GEZE manual trigger switch with glass cover and 5 interchangeable letterings Flush-mounted version, for manual release of electrically controllable door hold-open mechanisms	alpine white	120880
Replacement glass cover for GEZE manual trigger switch 120880 and 120881		010994

GEZE TS 4000 Tandem

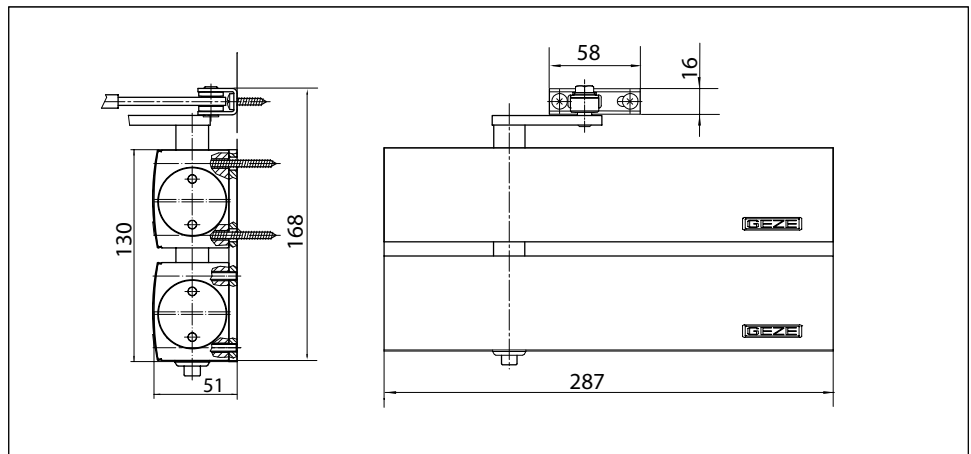
Link arm door closer for single-leaf doors/gates with a leaf width in excess 1600 mm or that are extremely heavy

Combination of a TS 4000 EN 5-7 and a TS 4000 EN 1-6 on an adapter plate with a shared spindle. Closing force > EN 7, for use with extremely large and heavy doors or gates. The individual products have been tested in accordance with the EN 1154 standard.

Special version:

- GEZE TS 4000 tandem wet room version
Same as TS 4000 tandem, but with specially nickel-plated spindle and bearing shells, plus stainless steel screw accessories for aggressive environments.

GEZE TS 4000 tandem



Application range

- For single-action doors, leaf width > 1600 mm
- Compatible with left-hand and right-hand doors (conversion required)
- For fire protection doors (door closers with mounting plate)
- Standard installation on door leaf, hinge side; transom installation on opposite hinge side also possible
- Can be installed on door leaf on opposite hinge side with parallel arm mounting

Closer technical data

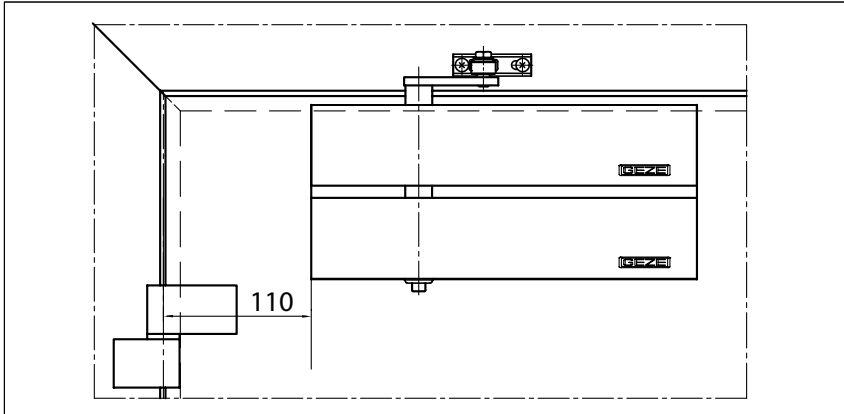
Product features	GEZE TS 4000 tandem complete package
Identical version DIN-L and DIN-R	●
Product tested in acc. with	Door closer tested in acc. with EN 1154
Suitable for fire protection doors	●
Mounting plate with hole pattern acc. to EN 1154 Supplement 1	●
Length	287 mm
Installation depth	51 mm
Height	130 mm
Functions	
Adjustable closing force	● with variable adjustment
Adjustable closing speed	●
Adjustable latching action	● via link arm
Integrated back check	● hydraulically adjustable
Closing force adjustment position	Front
Optical closing force display	●
Safety valve as protection against vandalism	●
Thermo-constant valves	●

● = yes

○ = no

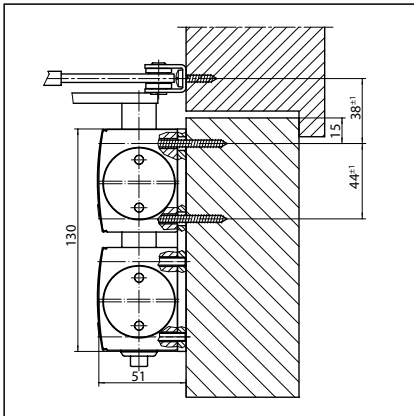
Door leaf installation/hinge side TS 4000 tandem

View

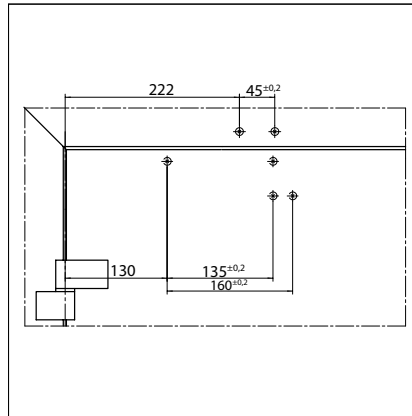


Installation example for GEZE TS 4000 tandem

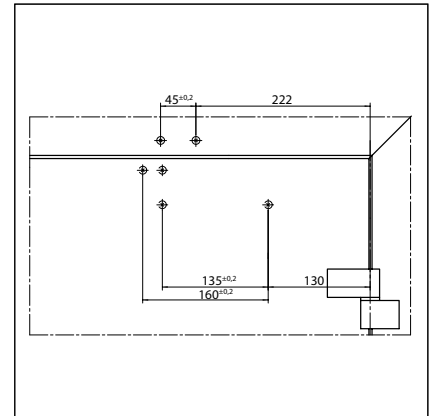
Direct installation



Cross section = direct installation

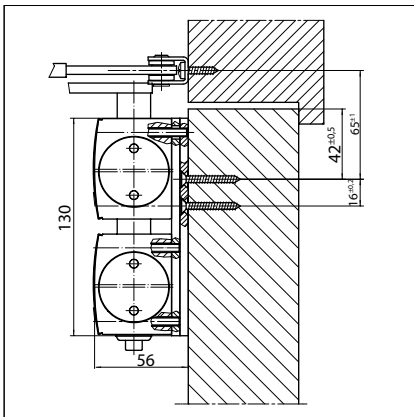


Fitting dimensions for left-hand door

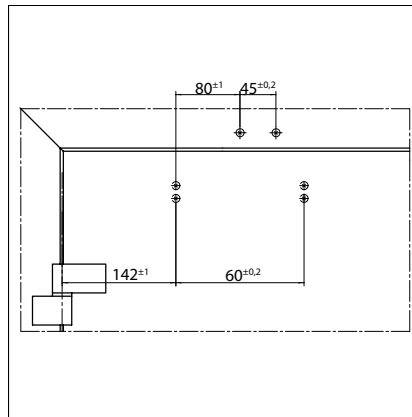


Fitting dimensions for right-hand door

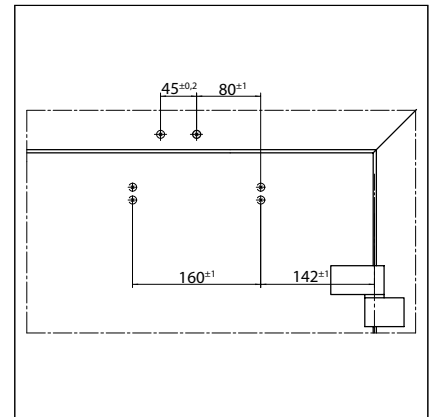
Installation with mounting plate



Cross section = installation with mounting plate



Fitting dimensions for left-hand door



Fitting dimensions for right-hand door

GEZE TS 4000 tandem - Order information

Designation	Version	ID.No.
GEZE TS 4000 tandem complete package	silver-coloured	102841
With back check, featuring standard link arm	acc. to RAL ¹⁾	116186
Link arm TS 4000/2000 Extended, for transom installation with a reveal depth of 70-170 mm	silver-coloured	102431
	dark bronze	102432
	white RAL 9016	102433
	acc. to RAL ¹⁾	102434
GEZE TS 4000 tandem wet room version complete package		
With back check, special protection against corrosion with stainless steel screw accessories and standard link arm	silver-coloured	120105
Installation material		
Spindle extension for TS 4000/TS 2000 Crown type connection	10 mm galvanised	103548
	10 mm black	103677
	15 mm galvanised	103549
	15 mm black	103678
	20 mm galvanised	103550
	20 mm black	103679
Door closer drilling template For TS 5000/4000/3000/2000		053134
Link arm mounting plate For TS 4000/2000, with narrow rebates	silver-coloured	057109
	acc. to RAL ¹⁾	082506
Link arm mounting plate For TS 4000/2000, with parallel arm mounting	silver-coloured	053318
	dark bronze	053319
	acc. to RAL ¹⁾	027460
Door closer mounting plate For TS 4000 tandem with hole pattern acc. to DIN EN 1154 Supplement 1	silver-coloured	105119
	acc. to RAL ¹⁾	116189

¹⁾ Surcharge for special RAL colours, see general information

GEZE smoke switch control unit RSZ 6

Smoke switch and power supply for all GEZE hold-open mechanisms

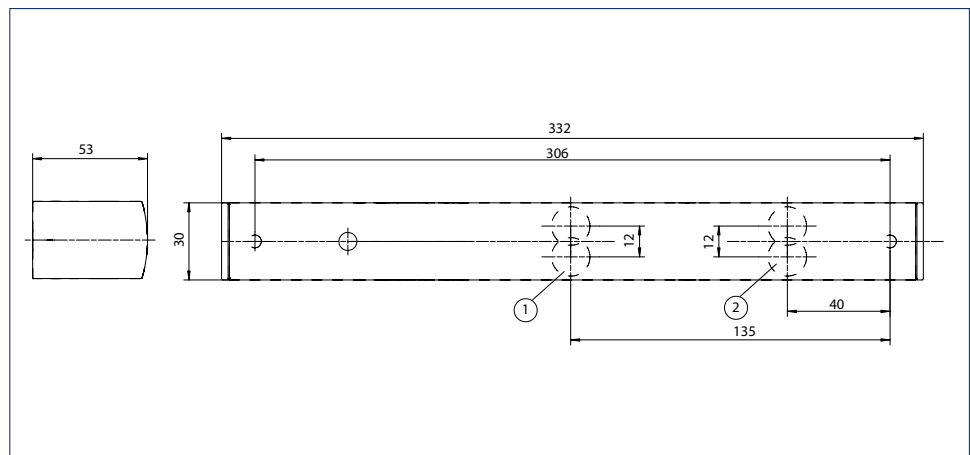
The GEZE smoke switch control unit RSZ 6 in the typical GEZE design has an overall height of 30 mm. It is connected to the 230 V power supply system and supplies the connected hold-open mechanisms reliably with 24 V DC voltage (max. 200 mA).

The smoke switch control unit is mounted on the vertical wall above the door opening, thus making the early detection of fire and smoke possible (please keep at least 20 mm clear of the ceiling). If an alarm is triggered, the voltage supply to the hold-open mechanisms (e.g. electrical hold-open device in the guide rail or holding magnet) is interrupted and the doors close immediately. The connection of two additional ceiling-mounted alarms may be necessary depending on requirements. The integrated smoke switch has an automatic adaptation of the alarm threshold. This compensates light soiling of the smoke chamber and increases service life. The current state of the smoke switch is shown by an optical signal.

GEZE smoke switch control unit RSZ 6



GEZE smoke switch control unit RSZ 6



- 1 = Additional connections
- 2 = Power supply UP 230 V AC

Application range

- Approved for use with all GEZE hold-open mechanisms

GEZE smoke switch control unit RSZ 6 - Order information

Description	Version	ID.No.
GEZE smoke switch control unit RSZ 6 Smoke switch and power supply for all GEZE hold-open mechanisms	silver-coloured	099851
	dark bronze	099857
	white RAL 9016	099858
	simulated stainless steel ¹⁾	099856
	acc. to RAL ²⁾	099859
Accessories		
GEZE smoke detector GC 152 Complete with base, 24 V DC, 20 mA, tested in accordance with EN54-7, with general approval for use with all GEZE hold-open systems, integrated line monitoring, conform with DIN EN 14637	white	139850
GEZE thermal detector GC 153 Complete with base, 24 V DC, 20 mA, tested in accordance with EN54-5, with general approval for use with all GEZE hold-open systems, integrated line monitoring, conform with DIN EN 14637	white	139881
GEZE manual trigger switch Flush-mounted version, for manual release of electrically controllable door hold-open mechanisms	alpine white	116266
Surface-mounted box, single suitable for the AS 500 switch range		120503
GEZE manual trigger switch with glass cover and 5 interchangeable letterings Flush-mounted version, for manual release of electrically controllable door hold-open mechanisms	alpine white	120880
Replacement glass cover for GEZE manual trigger switch 120880 and 120881		010994

1) Only for dry rooms

2) Surcharge for RAL special colours, see General Information in the Price List.



Nursing Home Zamenhof, Stuttgart, Germany (Photo: Dirk Wilhelmy)

Cover caps for GEZE door closers

The following cover caps are available for the TS 2000 and TS 4000 overhead door closers:

- silver-coloured



- dark bronze



- white RAL 9016



- polished brass



- stainless steel



Other RAL colours are available on request.

Product information for door closers

Due to the liability the manufacturer has for its products under the German product liability law (§ 4 Prod-HaftG), the following information regarding door closers for swing doors must be observed. Non-compliance discharges the manufacturer from its liability.

1) Product information and use as intended

Within this context, door closers are to be defined as products for closing swing doors after they have been opened manually. The closing action is dampened using a hydraulically adjustable feature. The level of closing force required for specific leaf widths is defined in EN 1154. In the case of non-standard applications, the details provided by the manufacturer are to be regarded as definitive. Door closers are used on internal swing doors made from metal, timber or plastic and combinations thereof. When used on smoke and fire protection doors or other standardised self-closing doors, they are subject to strict requirements in terms of the type of installation and their position. Any deviation from these requirements constitutes improper use.

Proper use of door closers (use as intended) relies on doors being installed perpendicular and their being able to move smoothly; it is also dependent on the door closers being properly secured. The products must be installed and adjusted professionally in accordance with the manufacturer's specifications.

Where local conditions are particularly unfavourable (wind), door closers with higher torques must be used.

It is particularly important to use door closers with a back check function on swing doors that are exposed to wind when opening outwards.

The back check function helps protect people, door elements, plus nearby walls and objects, without restricting the door opening angle. If the structural conditions of the door are such that there is a risk of the door leaf hitting the frame in the vicinity of the door's axis of rotation, a buffer must be installed to limit the door's maximum opening angle. If swing doors are to be fixed in the open position, this may only be achieved using special additional fittings or integrated constructional elements. When used with smoke and fire protection doors, the devices must be officially approved by the German Institute for Building Technology (door suitability certificates must be heeded).

Door closers are not suitable for installation on swing doors in the case of unprotected exterior mounting or for installation in environments where the air contains aggressive, corrosive substances or in extremely high or low temperatures.

Following installation, enclosures for floor-mounted door closers must be protected against soiling. If floor-mounted door closers are exposed to penetrating water (e.g. wet rooms or external doors with no protection from the rain), the area between the cement box and the door closer cover must be sealed with a suitable sealing compound.

Compliance with mandatory statutory provisions must be ensured, where applicable, before door closers (including any additional devices) are installed and commissioned.

2) Misuse

Misuse (i.e. improper use of door closer products for swing doors) includes, in particular:

- The presence of obstacles in the closing area, scraping doors, sticking seals, wooden wedges, etc. that hinder the door's closing action
- Incorrect or improper mounting and/or adjustment
- Reaching into the area between the door frame and leaf (risk of injury)
- If the warranted properties are likely to trigger proper functioning, e.g. in case of storms or unusual levels of overpressure or underpressure acting on the door

- If door closers are used for any purpose other than closing doors
- If the selected door closer size does not tally with the manufacturer's recommendations

3) Product performance

Where catalogues, brochures, manuals, etc. do not contain specific details of product performance, special requirements must be discussed and agreed with the manufacturer.

The EN 1154 standards serve as a guideline. These standards stipulate the vast majority of basic and additional requirements. Amongst other things, the usability of door closers depends on how often they are operated, how they are operated, environmental influences and how they are cared for. Door closers must be replaced as soon as the door's closing action can no longer be guaranteed to be fault-free and reliable.

4) Product maintenance

Safety-related components of door closers must be checked regularly for tightness and signs of wear (depending on what the requirements are). Fixing screws must be re-tightened and defective components replaced. In addition, the following maintenance work must be carried out at least once a year (depending on the swing door type and extent of use):

- Grease all moving parts on the link arm
- In the case of door closers with special functions (hold-open mechanisms and hold-open devices), ensure compliance with statutory inspections, monitoring requirements and suggested maintenance intervals
- Check the closer settings, e.g. the closing speed
- Check that the door is able to move easily

Do not use any cleaning agents that contain corrosive or damaging ingredients.

5) Duties to inform and instruct

The following resources are available to help planners, specialist suppliers, installers, builders and users fulfil their duties of information and instruction:

- Catalogues, brochures, leaflets,
- Tender texts and bidding documents
- Attachment instructions, installation drawings, operating instructions, standards
- Advice from field staff

To ensure correct use of door closers on swing doors, guarantee their function and make sure they are maintained and cared for appropriately:

- Architects and planners are advised to order and observe the necessary product information
- Specialist suppliers are advised to observe the product information and advice in the price lists and, in particular, to order all relevant instructions, which are to be passed on to the installer
- Installers are advised to observe all the product information and to pass it on to the client and user

References

TS 1500/TS 2000/
TS 4000

Overhead door
closers with
link arm



Mövenpick Hotel, Stuttgart Airport, Germany (Photo: Nikolas Grünwald)



Sports hall, Zadar, Croatia (Photo: Robert Les)



Sports Hall, Zadar, Croatia (Photo: Robert Les)



Sparkasse, Ulm, Germany (Photo: Nikolas Grünwald)

You will find more product information in the relevant brochures, see ID numbers.

Door technology

01	Overhead door closers ID 091593, ID 091594
02	Hold-open systems ID 091593, ID 091594
03	Integrated door closers ID 091609
04	Floor springs ID 091607
05	Sliding door gear systems and linear guides ID 123605, ID 008770, ID 000586

Automatic door systems

06	Swing doors ID 144785
07	Sliding, telescopic and folding doors ID 143639
08	Circular and semi-circular sliding doors ID 135772
09	Revolving doors ID 132050
10	Actuation devices and sensors ID 142655

Smoke and heat extraction and window technology

11	Fanlight opening systems ID 127787
12	Electric opening and locking systems ID 154851
13	Electrical spindle and linear drives ID 154851
14	Electric chain drives ID 154851
15	Smoke and heat extraction systems ID 154851

Safety technology

16	Emergency exit systems ID 132408
17	Access control systems ID 132158
18	Panic locks ID 132848
19	Electric strikes ID 148666
20	Building management system ID 132408

Glass systems

21	Manual sliding wall systems (MSW) ID 104377
22	Integrated all-glass systems (IGG) ID 104366
23	GEZE Patch fittings mono glass systems ID 122521



TS 4000/TS 2000/
TS 1500

Overhead door
closers with
link arm

POTENTIAL APPLICATIONS OF GEZE PRODUCTS



Door technology

The functionality, superior performance and reliability of GEZE door closers are impressive. A common design across the range, the ability to use them on all common door leaf widths and weights, and the fact that they can be individually adjusted makes their selection simple. They are continually being improved and enhanced with up-to-date features. For example, the requirements of fire protection and accessibility are fulfilled with a door closer system.

Automatic door systems

GEZE automatic door systems open up a huge variety of options in door design. The latest, innovative high-performance drive technology, safety, ease of accessibility and first class universal drive design set them apart. GEZE offers complete solutions for individual requirements. A dedicated division is responsible for the development and construction of individual special designs.

Smoke and heat extraction and window technology

GEZE smoke and heat extraction systems and ventilation technology provide complete systems solutions combining the many requirements of different types of windows. We supply a full range from energy efficient drive systems to natural ventilation and complete solutions for supplying and extracting air, also as certified SHEVs.

Safety technology

GEZE safety technology sets the standards where preventative fire protection, access control and anti-theft security in emergency exits are concerned. For each of these objectives GEZE offers tailored solutions, which combine the individual safety requirements in one intelligent system and close doors and windows in case of danger in a coordinated manner.

Building systems

In GEZE's Building Management System GEZE door, window and safety products can be integrated in to the security and control systems of the building. A central control and visualisation system monitors various automation components in the building and offers security through many different networking capabilities.

Glass systems

GEZE glass systems stand for open and transparent interior design. They can either blend discreetly into the architecture of the building or stand out as an accentuated feature. GEZE offers a wide variety of technologies for functional, reliable and aesthetic sliding wall or sliding door systems providing security with lots of design scope.

GEZE GmbH
P.O. Box 1363
71226 Leonberg
Germany

GEZE GmbH
Reinhold-Vöster-Straße 21-29
71229 Leonberg
Germany
Telefon +49 (0) 7152-203-0
Telefax +49 (0) 7152-203-310
www.geze.com

Germany
GEZE Sonderkonstruktionen GmbH
 Planken 1
 97944 Boxberg-Schweigern
 Tel. +49 (0) 7930-92 94-0
 Fax +49 (0) 7930-92 94-10
 sk.de@geze.com

GEZE GmbH
 Niederlassung Süd-West
 Breitwiesenstraße 8
 71229 Leonberg
 Tel. +49 (0) 7152-203-594
 Fax +49 (0) 7152-203-438
 leonberg.de@geze.com

GEZE GmbH
 Niederlassung Süd-Ost
 Parking 17
 85748 Garching bei München
 Tel.: +49 (0) 89-120 07 42-50
 Fax.: +49 (0) 7152-203-77050
 garching.de@geze.com

GEZE GmbH
 Niederlassung Ost
 Böhrlingstraße 8
 13086 Berlin (Weissensee)
 Tel. +49 (0) 30-47 89 90-0
 Fax +49 (0) 30-47 89 90-17
 berlin.de@geze.com

GEZE GmbH
 Niederlassung Mitte/Luxemburg
 Adenauerallee 2
 61440 Oberursel (b. Frankfurt)
 Tel. +49 (0) 6171-63 610-0
 Fax +49 (0) 6171-63 610-1
 frankfurt.de@geze.com

GEZE GmbH
 Niederlassung West
 Nordsternstraße 65
 45329 Essen
 Tel. +49 (0) 201-83 082-0
 Fax +49 (0) 201-83 082-20
 essen.de@geze.com

GEZE GmbH
 Niederlassung Nord
 Haus 11, 1. OG - Theodorstr. 42-90
 22761 Hamburg-Bahrenfeld
 Tel. +49 (0) 40-2 19 07 16-27
 Fax +49 (0) 40-2 19 07 16-28
 hamburg.de@geze.com

GEZE Service GmbH
 Niederlassung Süd-West
 Reinhold-Vöster-Straße 25
 71229 Leonberg
 Tel. +49 (0) 1802-923392
 Fax +49 (0) 7152-92 33 63
 service-leonberg.de@geze.com

GEZE Service GmbH
 Niederlassung Süd
 Parking 17
 85748 Garching bei München
 Tel. +49 (0) 1802-923392
 Fax +49 (0) 89-120 07 42-60
 service-muenchen.de@geze.com

GEZE Service GmbH
 Niederlassung Mitte
 Oberurseler Str. 69
 61440 Oberursel
 Tel. +49 (0) 1802-923392
 Fax +49 (0) 6171-63 327-19
 service-oberursel.de@geze.com

GEZE Service GmbH
 Niederlassung West
 Nordsternstraße 65
 45329 Essen
 Tel. +49 (0) 1802-923392
 Fax +49 (0) 201-8 30 82-25
 service-essen.de@geze.com

GEZE Service GmbH
 Niederlassung Nord-Ost
 Böhrlingstraße 8
 13086 Berlin (Weissensee)
 Tel. +49 (0) 1802-923392
 Fax +49 (0) 30-47021733
 service-berlin.de@geze.com

GEZE Service GmbH
 Niederlassung Nord
 Theodorstr. 42-90, Haus 11
 22761 Hamburg
 Tel. +49 (0) 1802-923392
 Fax +49 (0) 40-219 07 16-19
 service-hamburg.de@geze.com

Austria
GEZE Austria
 Wiener Bundesstrasse 85
 A-5300 Hallwang
 Tel: +43/6225/87180
 Fax: +43/6225/87180-299
 austria.at@geze.com

Baltic States
GEZE GmbH Baltic States office
 Dzelsavas iela 120 S
 1021 Riga
 Tel. +371 (0) 67 89 60 35
 Fax +371 (0) 67 89 60 36
 office-latvia@geze.com

Benelux
GEZE Benelux B.V.
 Steenoven 36
 5626 DK Eindhoven
 Tel. +31 (0) 40-26 290-80
 Fax +31 (0) 40-26 290-85
 benelux.nl@geze.com

Bulgaria
GEZE Bulgaria - Trade
 Representative Office
 Nickolay Haitov 34 str., fl. 1
 1172 Sofia
 Tel. +359 (0) 24 70 43 73
 Fax +359 (0) 24 70 62 62
 office-bulgaria@geze.com

China
GEZE Industries (Tianjin) Co., Ltd.
 Shuangchenzhong Road
 Beichen Economic Development
 Area (BEDA)
 Tianjin 300400, P.R. China
 Tel. +86 (0) 22-26 97 39 95-0
 Fax +86 (0) 22-26 97 27 02
 sales-info@geze.com.cn

GEZE Industries (Tianjin) Co., Ltd.
 Branch Office Shanghai
 Unit 25N, Cross Region Plaza
 No 899, Ling Ling Road,
 XuHui District
 200030 Shanghai, P.R. China
 Tel. +86 (0) 21-523 40 960
 Fax +86 (0) 21-644 72 007
 chinasales@geze.com.cn

GEZE Industries (Tianjin) Co., Ltd.
 Branch Office Guangzhou
 Room 17C3
 Everbright Bank Building, No.689
 Tian He Bei Road
 510630 Guangzhou
 P.R. China
 Tel. +86 (0) 20-38 73 18 42
 Fax +86 (0) 20-38 73 18 34
 chinasales@geze.com.cn

GEZE Industries (Tianjin) Co., Ltd
 Branch Office Beijing
 Room 1001, Tower D
 Sanlitun SOHO
 No. 8, Gongti North Road,
 Chaoyang District
 100027 Beijing, P.R.China
 Tel. +86 (0) 10-59 35 93 00
 Fax +86 (0) 10-59 35 93 22
 chinasales@geze.com.cn

France
GEZE France S.A.R.L.
 ZAC de l'Orme Rond
 RN 19
 77170 Servon
 Tel. +33 (0) 1 60 62 60 70
 Fax +33 (0) 1 60 62 60 71
 france.fr@geze.com

Hungary
GEZE Hungary Kft.
 Hungary-2051 Biatorbágy
 Vendel Park
 Huber u. 1.
 Tel. +36/23/532-735
 Fax +36/23/532-738
 office-hungary@geze.com

Iberia
GEZE Iberia S.R.L.
 C/ Andorra 24
 08830 San Boi de Llobregat
 (Barcelona)
 Tel. +34 902 194 036
 Fax +34 902 194 035
 info@geze.es

India
GEZE India Private Ltd.
 MF 2 & 3, Guindy Industrial Estate
 Ekkattuthangal
 Chennai 600 097
 Tamilnadu
 Tel. +91 (0) 44 30 61 69 00
 Fax +91 (0) 44 30 61 69 01
 office-india@geze.com

Italy
GEZE Italia S.r.l
 Via Giotto, 4
 20040 Cambiago (MI)
 Tel. +39 (0) 29 50 695-11
 Fax +39 (0) 29 50 695-33
 italia.it@geze.com

GEZE Italia S.r.l
 Via Lucrezia Romana, 91
 00178 Roma
 Tel. +39 (0) 6-72 65 311
 Fax +39 (0) 6-72 65 3136
 roma@geze.biz

Poland
GEZE Polska Sp.z o.o.
 ul. Annapol 21
 03-236 Warszawa
 Tel. +48 (0) 22 440 4 440
 Fax +48 (0) 22 440 4 400
 geze.pl@geze.com

Romania
GEZE Romania S.R.L.
 IRIDE Business Park,
 Str. Dimitrie Pompeiu nr. 9-9a,
 Building 10, Level 2, Sector 2,
 020335 Bucharest
 Tel.: +40 (0) 21 25 07 750
 Fax: +40 (0) 21 25 07 750
 office-romania@geze.com

Russia
OOO GEZE RUS
 Gamsonovskiy Per. 2
 115191 Moskau
 Tel. +7 (0) 495 933 06 59
 Fax +7 (0) 495 933 06 74
 office-russia@geze.com

Scandinavia - Sweden
GEZE Scandinavia AB
 Mallslingan 10
 Box 7060
 18711 Täby, Sweden
 Tel. +46 (0) 8-7323-400
 Fax +46 (0) 8-7323-499
 sverige.se@geze.com

Scandinavia - Norway
GEZE Scandinavia AB avd. Norge
 Industriveien 34 B
 2073 Dal
 Tel. +47 (0) 639-57 200
 Fax +47 (0) 639-57 173
 norge.se@geze.com

Scandinavia - Finland
Branch office of GEZE Scandinavia AB
 Herralantie 824
 Postbox 20
 15871 Hollola
 Tel. +358 (0) 10-40 05 100
 Fax +358 (0) 10-40 05 120
 finland.se@geze.com

Scandinavia - Denmark
GEZE Danmark
 Branch office of GEZE Scandinavia AB
 Mårkærvej 13 J-K
 2630 Taastrup
 Tel. +45 (0) 46-32 33 24
 Fax +45 (0) 46-32 33 26
 danmark.se@geze.com

Singapore
GEZE (Asia Pacific) Pte. Ltd.
 21 Bukit Batok Crescent
 #23-75 Wcega Tower
 Singapore 658065
 Tel. +65 6846 1338
 Fax: +65 6846 9353
 gezesea@geze.com.sg

South Africa
GEZE Distributors (Pty) Ltd.
 118 Richards Drive, Halfway House,
 Ext 111, P.O. Box 7934, Midrand 1685,
 South Africa
 Tel: + 27 (0) 113 158 286
 Fax: + 27 (0) 113158261
 info@gezesa.co.za

Switzerland
GEZE Schweiz AG
 Bodenackerstrasse 79
 4657 Dulliken
 Tel. +41 (0) 62 285 54 00
 Fax +41 (0) 62 285 54 01
 schweiz.ch@geze.com

Turkey
GEZE Kapı ve Pencere Sistemleri
 San. ve Tic. Ltd. Şti.
 Ataşehir Bulvarı, Ata 2/3
 Plaza Kat: 9 D: 84 Ataşehir
 Ataşehir / İstanbul
 Tel. + 90 (0) 216 455 43 15
 Fax + 90 (0) 216 455 82 15
 office-turkey@geze.com

Ukraine
LLC GEZE Ukraine
 ul. Viskoznaya, 17,
 Building 93-B, Office 12
 02660 Kiev
 Tel./Fax +38 (0) 44 501 22 25
 office-ukraine@geze.com

United Arab Emirates/GCC
GEZE Middle East
 P.O. Box 17903
 Jebel Ali Free Zone
 Dubai
 Tel. +971 (0) 4-88 33 112
 Fax +971 (0) 4-88 33 240
 geze@emirates.net.ae

United Kingdom
GEZE UK Ltd.
 Blenheim Way
 Fradley Park
 Lichfield
 Staffordshire WS13 8SY
 Tel. +44 (0) 1543 44 30 00
 Fax +44 (0) 1543 44 30 01
 info.uk@geze.com

GEZE REPRESENTATIVE