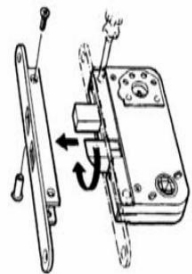


A complete cylinder lock requires

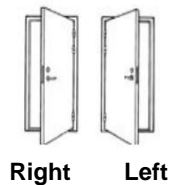
1. Lock case - right or left hand
2. Cylinder – on the external and/or internal
3. Accessories – cylinder ring for the external
4. Accessories – thumb turn for the internal
5. Striking plate – standard or security

Right hand to left hand or vice versa !

Before installing the lock in the door, check if the latch must be turned to suit door handing.

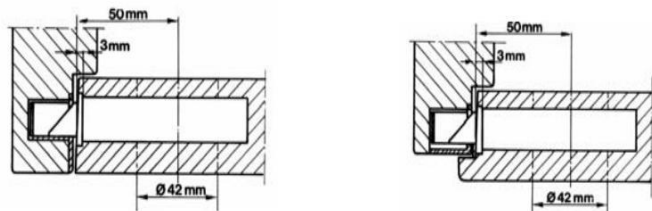


Note!
Do not open the lock case. It is not necessary.



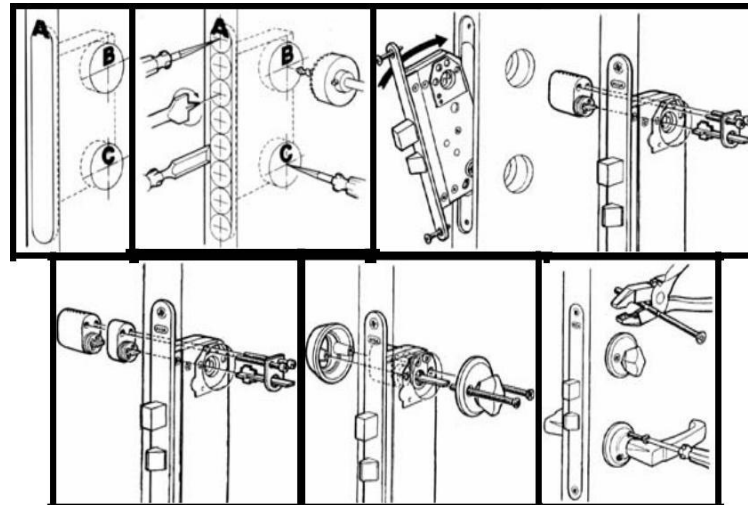
- A. For 50mm backset remove screws fixing faceplate to the lock case. If a 70mm backset, remove screws fixing 20mm extension piece to lock case.
- B. Pull faceplate away from lock case.
- C. Latch bolt can now be turned around. If the lock case has an anti - thrust bolt ensure the hand is adjusted to that of the latch bolt.
- D. Refit faceplate with fixings.

Position of the lock case (can be centrally or non-centrally positioned) UK standard = centrally positioned



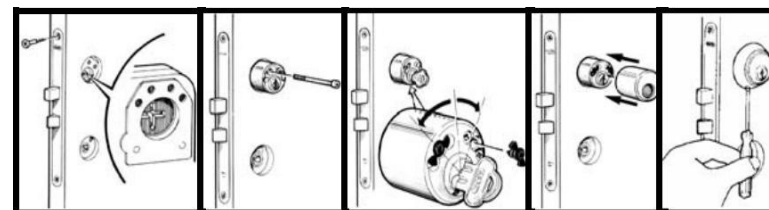
IMPORTANT: ASSA RECOMMENDS A CLEARANCE OF 3 MM BETWEEN DOOR AND FRAME.

This is how to assemble



- 1 Fold the template along dotted line A and place at leading edge of door as shown in fig 1.
 - 2 Check backset of lock (50 or 70mm) and mark the centres of the cylinder hole B and the handle turn hole C. Drill two 42mm diam holes through the door (for bolt through screws for cylinder and handle). IF WOOD SCREW FIXING FOR THE HANDLE DRILL 20MM DIAM. HOLE AT C.
 - 3 Push the lock case in to the mortice without using force and screw through faceplate with the screw supplied.
 - 4 Screw the cylinder and thumb turn spindle set to lock case.
 - 5 Where cylinder face does not project at least 6mm from door face, an extension piece should be used behind the cylinder.
 - 6 Place the cylinder ring on the outside and the thumb turn on the inside in their respective places.
 - 7 Fix the cylinder ring and the thumb turn by screwing from the inside. The screws can be cut if necessary.
 - 8 Fix Assa handles with the bolt through screws from the inside of the door.
 - 9 Test function of lock and accessories with door open
- Fix the striking plate into the door frame.
- Note:**
See drawing on reverse of this page for Alternative accessories.

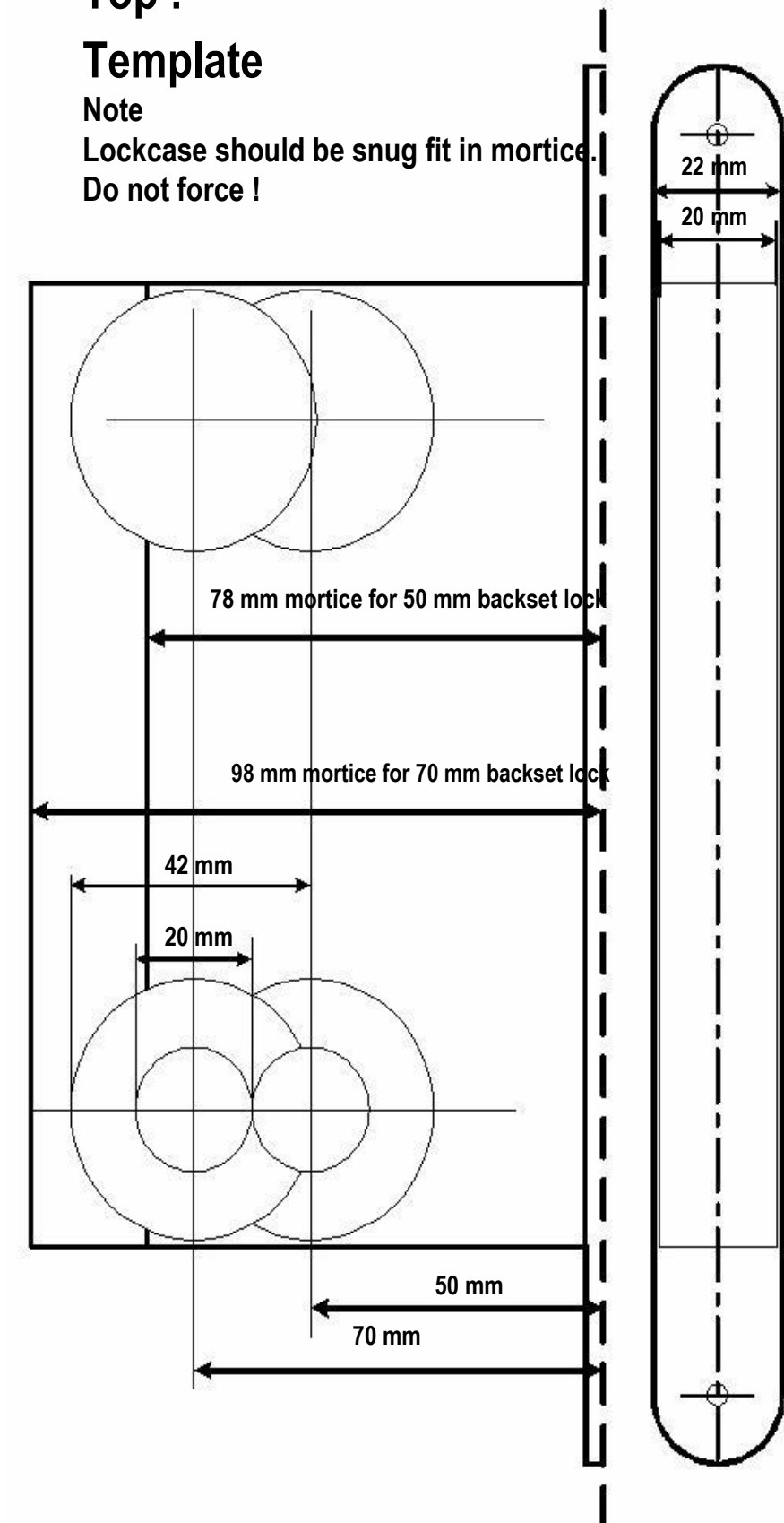
Installing Scandinavian round cylinder Fitting instructions – Accessory set 3212 and 3212B



- 1 Make sure that the arrows in the cylinder follower is pointing downwards on both sides of the lock case.
- 2 Fit the cylinder from the inside of the door with the four enclosed security screws. It is advisable that the cylinder sleeve should be fitted to the outside cylinder before assembly.
- 3 Block and secure the security screws with the enclosed butterfly shaped security plugs. Turn the key to "1300 hours" and fit one security plug to secure the right pair, then turn the key to "0930 hours" and secure the left screw with the remaining security plug.
- 4 Slide the remaining cylinder sleeve onto the inside cylinder.
- 5 Fit the inside- and outside rings and fasten the screw.

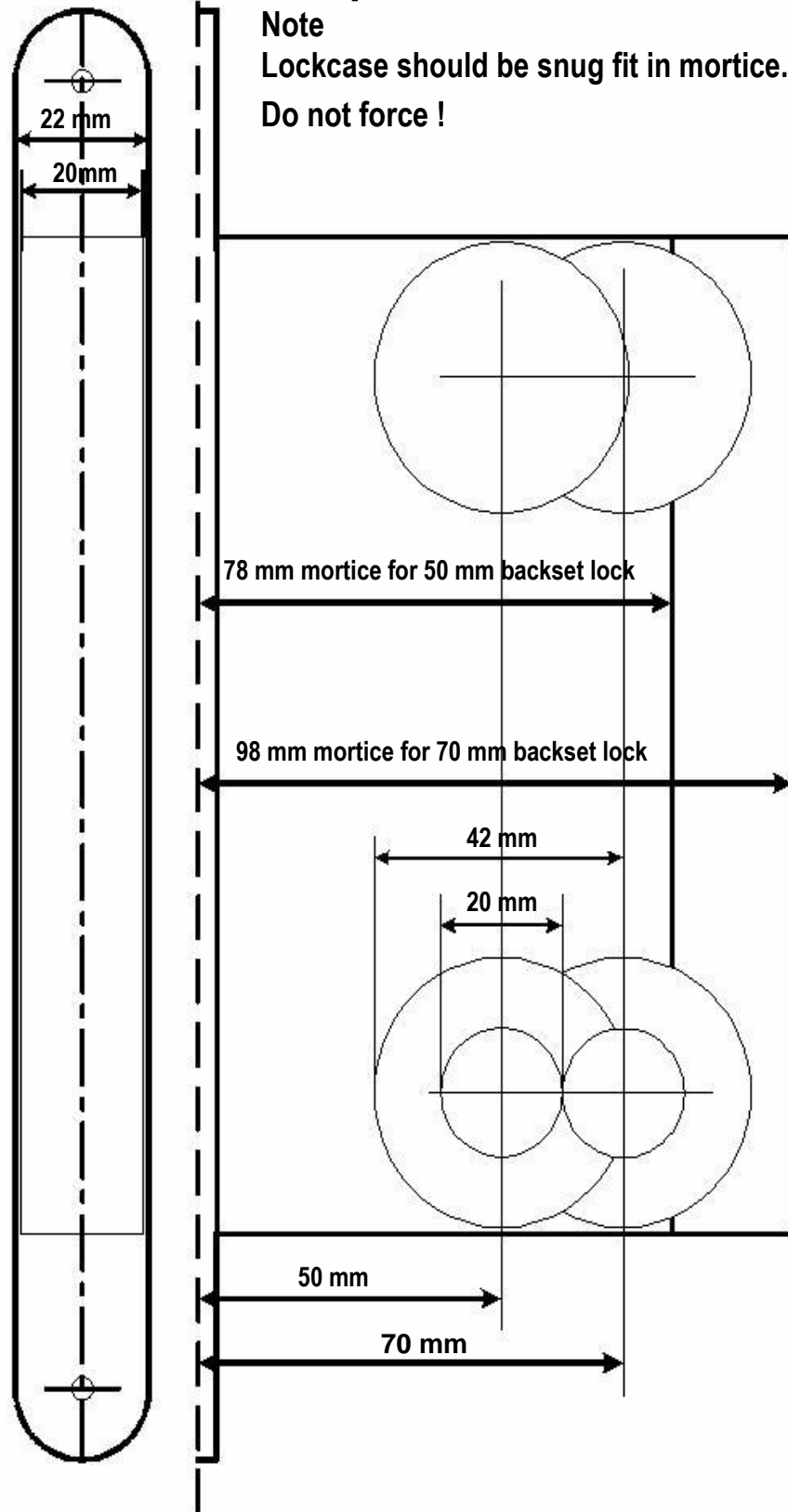
Top ! Template

Note
Lockcase should be snug fit in mortice.
Do not force !



Top ! Template

Note
Lockcase should be snug fit in mortice.
Do not force !



Cylinder Locks	Emergency Lock Accessories
<p>Single cylinder with thumb turn</p>	<p>Thumb turn to be fitted horizontally!</p>
<p>Double cylinder</p>	<p>Blind rose</p>
<p>Internal single cylinder with blind rose</p>	<p>Dead knob</p>
Toilet Locks	
<p>565 T</p>	<p>9565 T</p>

Fixing instructions MODULAR LOCK

